

PRODUCT INFORMATION PACKET



Model No: OYK6518

Catalog No: OYK6518

OEM Replacement Motor, 1/5 HP, 1 Ph, 60 Hz, 208-230 V, 1075 RPM, 1 Speed, 42 Frame, SEMI ENCL



Regal and Century are trademarks of Regal Rexnord Corporation or one of its affiliated companies.
©2025 Regal Rexnord Corporation, All Rights Reserved. MC017097E





Nameplate Specifications

Phase	1	Output HP	1/5 Hp
Output KW	0.15 kW	Voltage	208-230 V
Speed	1075 rpm	Service Factor	1.0
Frame	42Y	Enclosure	Semi Enclosed
Thermal Protection	Automatic	Ambient Temperature	40 °C
Frequency	60 Hz	Current	1.4 A
Duty	Air Over	Insulation Class	B
UL	Recognized	CSA	Y
CE	N	Number of Speeds	1

Technical Specifications

Electrical Type	Permanent Split Capacitor	Starting Method	Across The Line
Poles	6	Rotation	Clockwise Lead End
Mounting	Hexagonal Hubs	Motor Orientation	Horizontal
Drive End Bearing	Sleeve	Opp Drive End Bearing	Sleeve
Frame Material	Na	Shaft Type	Flat
Overall Length	16.50 in	Shaft Diameter	0.500 in
Shaft Extension	6.3X.5X6.3 in		
Outline Drawing	12255-003-S01	Connection Drawing	7556A21F01

This is an uncontrolled document once printed or downloaded and is subject to change without notice. Date Created:02/10/2025

4

3

2

1

REV	ECO	REV BY	DATE	APPD	DATE
E	0026373	J.AGUILERA	05-28-2012	R.RASCON	05-28-2012

GENERAL INFORMATION:

SHAFT RUNOUT: .001 T.I.R. PER INCH LENGTH EXTENSION

END PLAY: .010 TO .063

BEARINGS: SLEEVE

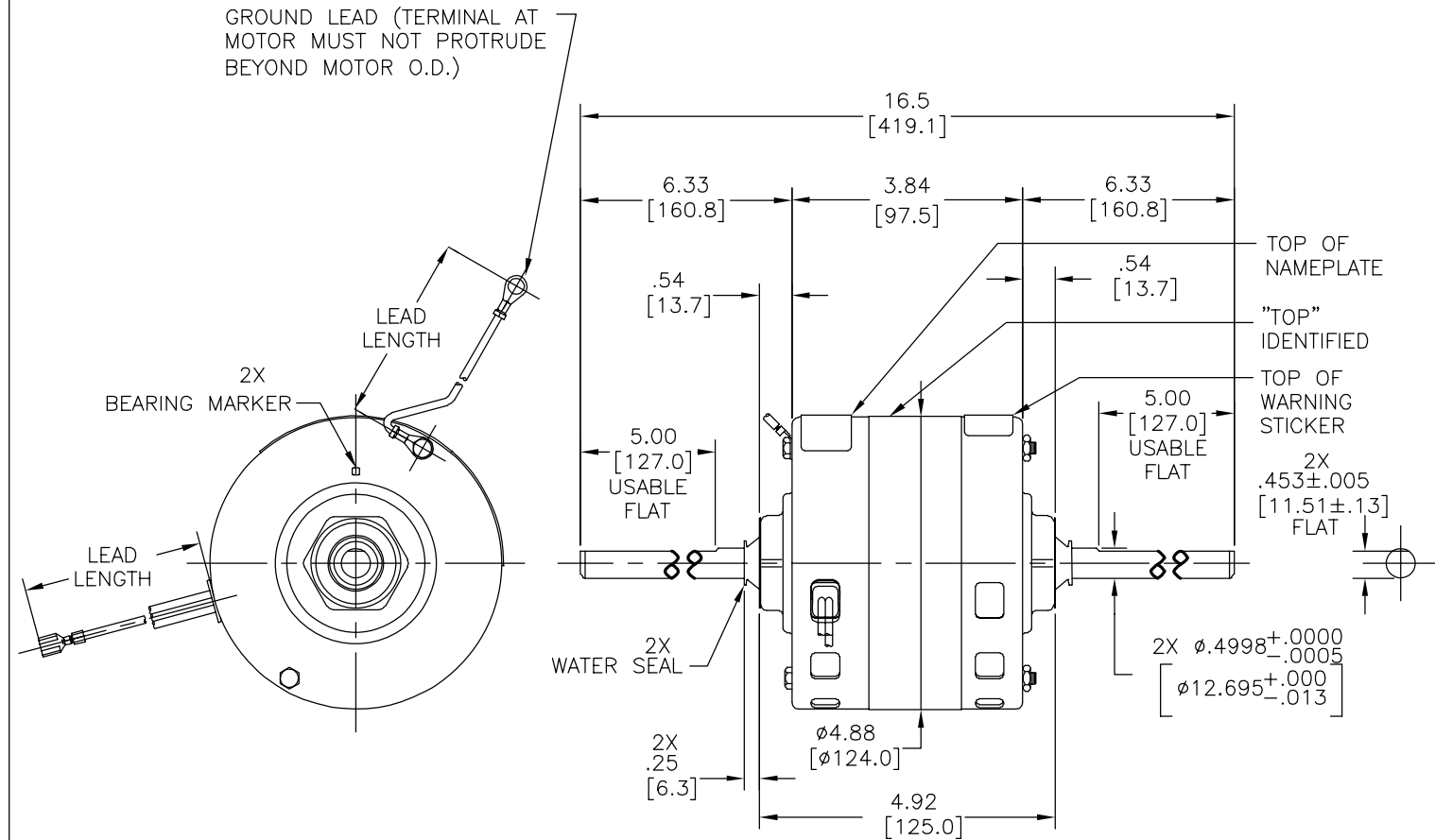
MOUNTING POSITION: HORIZONTAL

ELECTRICAL DATA:

OVERLOAD PROTECTOR: AUTOMATIC RESET (T.I. 7AM 304)

LEADS: NO. 18 GA., .06 THK., 105°C PVC INSUL.

GROUND LEAD: NO. 18 GA., .03 THK., GREEN INSUL.

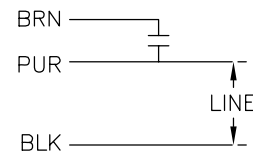


SEE NOTE #1

NAMEPLATE DATA:

MODEL NO.: E42A13A01
 CUST. P/N: []
 HP: 1/5
 ROT.: CWLE
 RPM: 1075
 TYPE: FLL
 FRAME: 42Y
 VOLTS: 208-230
 PH: 1
 AMPS: 1.4
 HZ: 60
 INS.: B
 AMB.: 40° C
 DUTY: AIR OVER
 CAP.: 5 MFD/370 V
 ENCL: -
 UL LOGO
 CSA LOGO
 THERMALLY PROTECTED

EXTERNAL CONNECTION DIAGRAM



NOTE:
 1. DISTRIBUTION PART NUMBER: OYK6518
 GRAINGER PART NUMBER: 4MB96

GREEN (GRD)	5.5 / 7.5	.25 EYELET
BROWN	33.5 / 35.5	.25 FEMALE SPADE
PURPLE	33.5 / 35.5	.25 FEMALE SPADE
BLACK	33.5 / 35.5	.25 FEMALE SPADE
COLOR	LENGTH	TERMINAL OR STRIP LENGTH

MAIN FRAME - OLE	SEMI-ENCLOSED
END FRAME - OLE	ENCLOSED
MAIN FRAME - LE	SEMI-ENCLOSED
END FRAME - LE	ENCLOSED

CUSTOMER	DISTRIBUTION SERVICE
----------	----------------------

PERFORMANCE CURVE NO.	TORQUE @1075 RPM (25°C)	APPROVED SAMPLE	UL COMPONENT FILE #	CCN #	CSA FILE #	CLASS #
670198	17.0 OZ. FT.	322P729	E46412	PRGY2	LR43341	4211-01

GEOMETRIC CHARACTERISTICS & SYMBOLS
 ▮ FLATNESS
 - STRAIGHTNESS
 < ANGLARITY
 ⊥ PERPENDICULARITY (SQUARENESS)
 // PARALLELISM
 ○ ROUNDNESS (CIRCULARITY)
 ∅ CYLINDRICITY
 △ PROFILE OF ANY SURFACE
 ∩ PROFILE OF ANY LINE
 ↗ RUNOUT
 ⊕ TRUE POSITION
 ⊙ CONCENTRICITY
 = SYMMETRY
 ASME Y14.5M 1994

REGAL-BELOIT CORPORATION (RBC) PROVIDES TECHNICAL ASSISTANCE TO OUR CUSTOMERS IN SEVERAL AREAS. SINCE RBC DOES NOT RECEIVE ALL DATA CONCERNING THE USE AND APPLICATION OF THE MOTOR, THE SUITABILITY OF THE MOTOR FOR THE APPLICATION MUST BE DETERMINED BY THE CUSTOMER.

DIMENSIONS WITHOUT TOLERANCES ARE FOR REFERENCE ONLY.

DR BY: D.M.JONES 03-15-2000
 APPD:
 THIRD ANGLE PROJECTION
 EDS DATE 11-11-2011
 FORMAT REV H
 CONFIDENTIAL: THIS DRAWING AND ITS INFORMATION ARE THE EXCLUSIVE AND CONFIDENTIAL PROPERTY OF REGAL-BELOIT CORPORATION AND ARE NOT TO BE DISCLOSED, DUPLICATED, DISTRIBUTED OR OTHERWISE USED WITHOUT THE WRITTEN CONSENT OF REGAL-BELOIT CORPORATION. -ALL RIGHTS RESERVED.



DESCRIPTION: MODEL-RFHP-42FR OUTLINE
 SIZE: C DWG NO: 12255-003
 SCALE: NONE SHEET: 1

4

3

2

1

4

3

2

1

REVISION:	ECO	REVISADO POR:	FECHA:	APROBADO POR:	FECHA:
E	0026373	J.AGUILERA	05-28-2012	R.RASCON	05-28-2012

INFORMACION GENERAL:

OSCILACION DE FLECHA: .001 L.T.I. POR EXTENSION DE LARGO POR PULGADA

JUEGO AXIAL: .010 TO .063

BALEROS: MANGA

POSICION DEL MONTAJE: HORIZONTAL

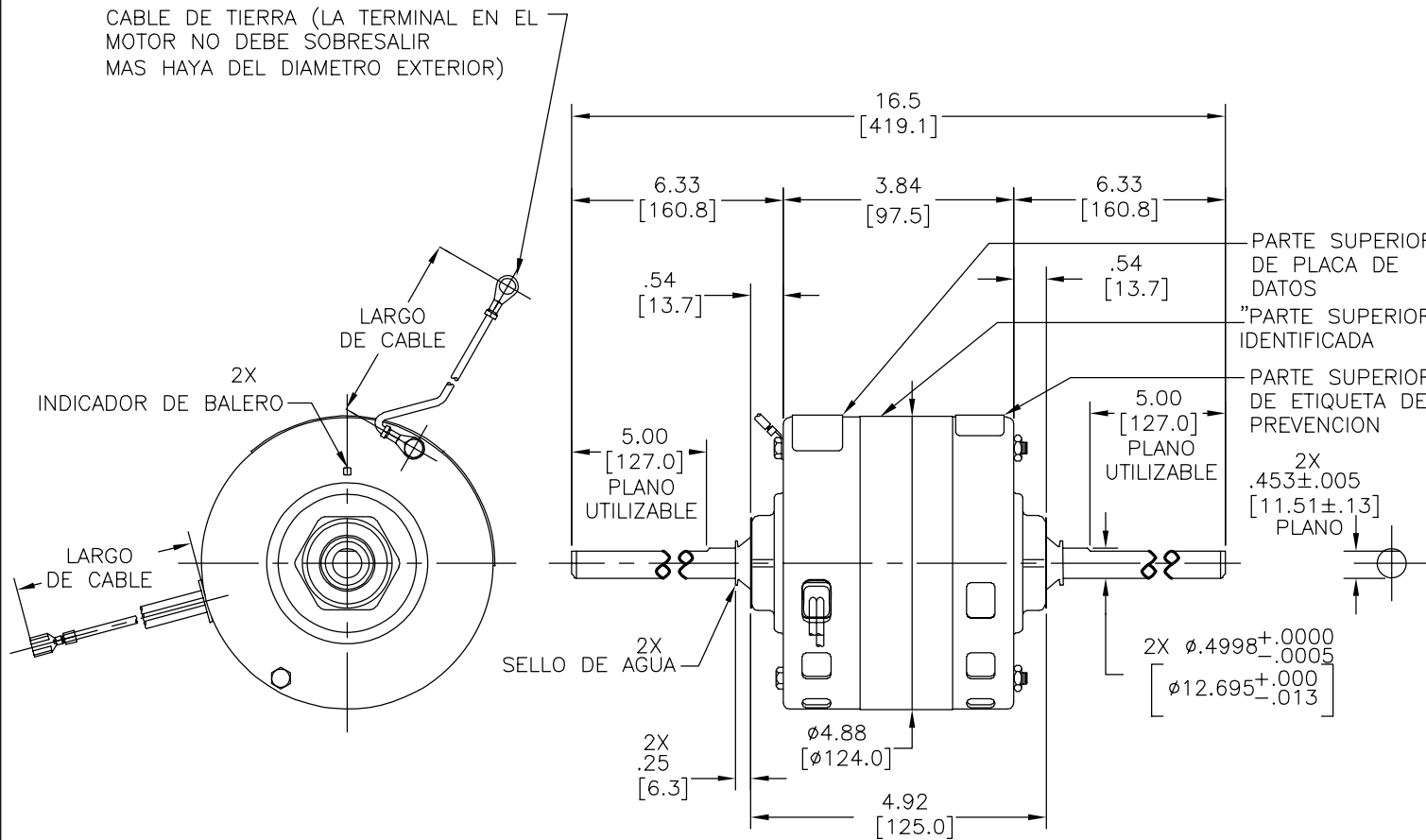
INFORMACION ELECTRICA:

PROTECTOR DE SOBRECARGA: REINICIO AUTOMATICO (T.I. 7AM 304)

CABLES: NO. 18 GA., .06 THK., 105°C PVC AISLANTE.

CABLE DE TIERRA: NO. 18 GA., .03 THK., AISLANTE VERDE.

VER NOTE #1



VERDE (TIERRA)	5.5 / 7.5	.25 OJAL
CAFE	33.5 / 35.5	.25 TERMINAL HEMBRA
MORADO	33.5 / 35.5	.25 TERMINAL HEMBRA
NEGRO	33.5 / 35.5	.25 TERMINAL HEMBRA
COLOR	LONGITUD	TERMINAL O LONGITUD DE DESFORRE

CARCASA - LOC	SEMI-CERRADO
TAPA - LOC	CERRADO
CARCASA - LC	SEMI-CERRADO
TAPA - LC	CERRADO

CLIENTE	DISTRIBUTION SERVICE
---------	----------------------

NOTA:
1. NUMERO DE PARTE DE DISTRIBUCION: OYK6518
NUMERO DE PARTE GRAINGER: 4MB96

INFORMACION DE ETIQUETA:	DIAGRAMA DE CONEXION EXTRNA
MODEL NO.: E42A13A01 CUST. P/N: [] HP: 1/5 ROT.: CWLE RPM: 1075 TYPE: FLL FRAME: 42Y VOLTS: 208-230 PH: 1 AMPS: 1.4 HZ: 60 INS.: B AMB.: 40° C DUTY: AIR OVER CAP.: 5 MFD/370 V ENCL: - UL LOGO CSA LOGO THERMALLY PROTECTED	

CURVAS DE FUNCIONAMIENTO	TORSION @1075 RPM (25°C)	MUESTRA APROBADA	COMPONENTE UL	CSA
670198	17.0 OZ. FT.	322P729	#ARCHIVO PRGY2	LR43341 4211-01

CARACTERISTICAS DE GEOMETRIA Y SIMBOLOS
 □ PLANICIDAD
 - RECTITUD
 < ANGULARIDAD
 ⊥ PERPENDICULARIDAD (A ESCUADRA)
 // PARALELISMO
 ○ REDONDEZ (CIRCULARIDAD)
 ∅ CILINDRICIDAD
 △ PERFIL DE CUALQUIER SUPERFICIE
 ∩ PERFIL DE CUALQUIER LINEA
 / VARIACION
 ⊕ POSICION REAL
 ⊙ CONCENTRICIDAD
 = SIMETRIA
 ASME Y14.5M 1994

REGAL-BELOIT CORPORATION (RBC) PROVEE ASISTENCIA TECNICA A NUESTROS CLIENTES EN VARIAS AREAS. DESDE QUE RBC NO RECIBE TODOS LOS DATOS EN RELACION AL USO Y A LA APLICACION DEL MOTOR, LA APLICACION ADECUADA DEL MOTOR DEBE SER DETERMINADA POR EL CLIENTE.
 DIMENSIONES SIN TOLERANCIA SON DE REFERENCIA SOLAMENTE

DIBUJADO POR: D.M.JONES 03-15-2000
 APROBADO POR:
 TERCER ANGULO DE PROYECCION
 FECHA EDS: 11-11-2011
 REV. FORMATO: H
 CONFIDENCIAL: ESTE DIBUJO Y SU INFORMACION SON PROPIEDAD DE USO EXCLUSIVO Y CONFIDENCIAL DE REGAL-BELOIT CORPORATION. Y NO DEBERAN SER REVELADOS, DUPLICADOS, DISTRIBUIDOS O USARSE DE OTRA MANERA SIN EL CONSENTIMIENTO ESCRITO DE REGAL-BELOIT CORPORATION. -TODOS LOS DERECHOS RESERVADOS.

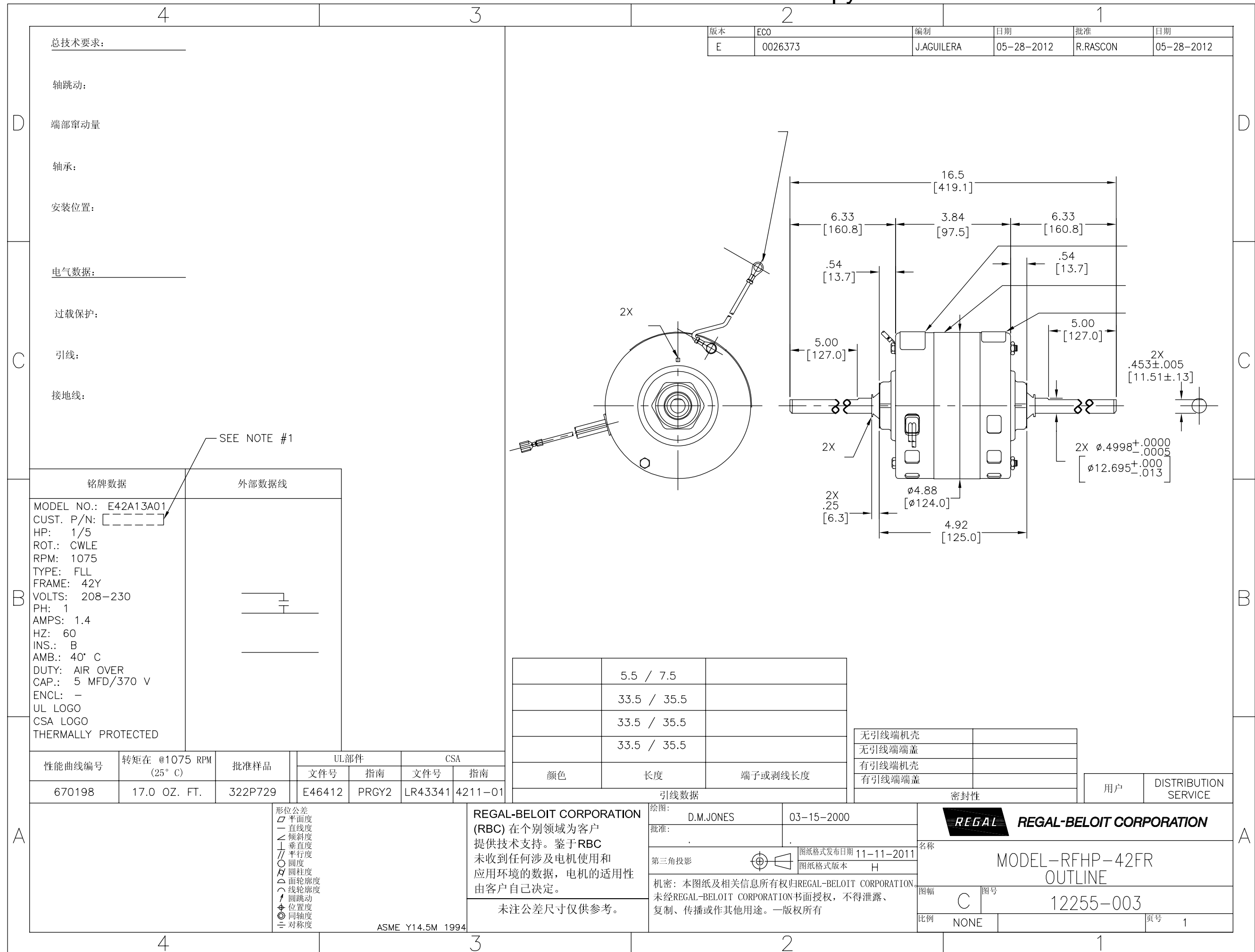
REGAL REGAL-BELOIT CORPORATION
 DESCRIPCION: MODEL-RFHP-42FR OUTLINE
 TAMAÑO: C NUMERO DE DIBUJO: 12255-003
 ESCALA: NONE HOJA: 1

4

3

2

1



版本	ECO	编制	日期	批准	日期
E	0026373	J.AGUILERA	05-28-2012	R.RASCON	05-28-2012

总技术要求: _____

轴跳动: _____

端部窜动量 _____

轴承: _____

安装位置: _____

电气数据: _____

过载保护: _____

引线: _____

接地线: _____

铭牌数据	外部数据线
MODEL NO.: E42A13A01 CUST. P/N: [] HP: 1/5 ROT.: CWLE RPM: 1075 TYPE: FLL FRAME: 42Y VOLTS: 208-230 PH: 1 AMPS: 1.4 HZ: 60 INS.: B AMB.: 40° C DUTY: AIR OVER CAP.: 5 MFD/370 V ENCL: - UL LOGO CSA LOGO THERMALLY PROTECTED	

	5.5 / 7.5	
	33.5 / 35.5	
	33.5 / 35.5	
	33.5 / 35.5	
颜色	长度	端子或剥线长度

无引线端机壳	
无引线端端盖	
有引线端机壳	
有引线端端盖	

用户	DISTRIBUTION SERVICE
----	----------------------

性能曲线编号	转矩在 @1075 RPM (25° C)	批准样品	UL部件		CSA	
670198	17.0 OZ. FT.	322P729	文件号	指南	文件号	指南
			E46412	PRGY2	LR43341	4211-01

- 形位公差
- 平面度
- 直线度
- ∠ 倾斜度
- ⊥ 垂直度
- // 平行度
- 圆度
- ⊘ 圆柱度
- ⊖ 面轮廓度
- ⌒ 线轮廓度
- ↗ 圆跳动
- ⊕ 位置度
- ⊙ 同轴度
- ≡ 对称度

ASME Y14.5M 1994

REGAL-BELOIT CORPORATION (RBC) 在个别领域为客户提供技术支持。鉴于RBC未收到任何涉及电机使用和应用环境的数据，电机的适用性由客户自己决定。

未注公差尺寸仅供参考。

绘图: D.M.JONES 03-15-2000

批准: _____

第三角投影

机密: 本图纸及相关信息所有权归REGAL-BELOIT CORPORATION。未经REGAL-BELOIT CORPORATION书面授权，不得泄露、复制或传播或作其他用途。—版权所有

REGAL REGAL-BELOIT CORPORATION

名称: MODEL-RFHP-42FR OUTLINE

图幅: C 图号: 12255-003

比例: NONE 页号: 1