

PRODUCT INFORMATION PACKET



Model No: Q3152

Catalog No: Q3152

Pool Pump Motor, 1 1/2 HP, 3 Ph, 60 Hz, 208-230/460 V, 3600 RPM, 48Y Frame, ODP



Regal and Century are trademarks of Regal Rexnord Corporation or one of its affiliated companies.
©2022 Regal Rexnord Corporation, All Rights Reserved. MC017097E





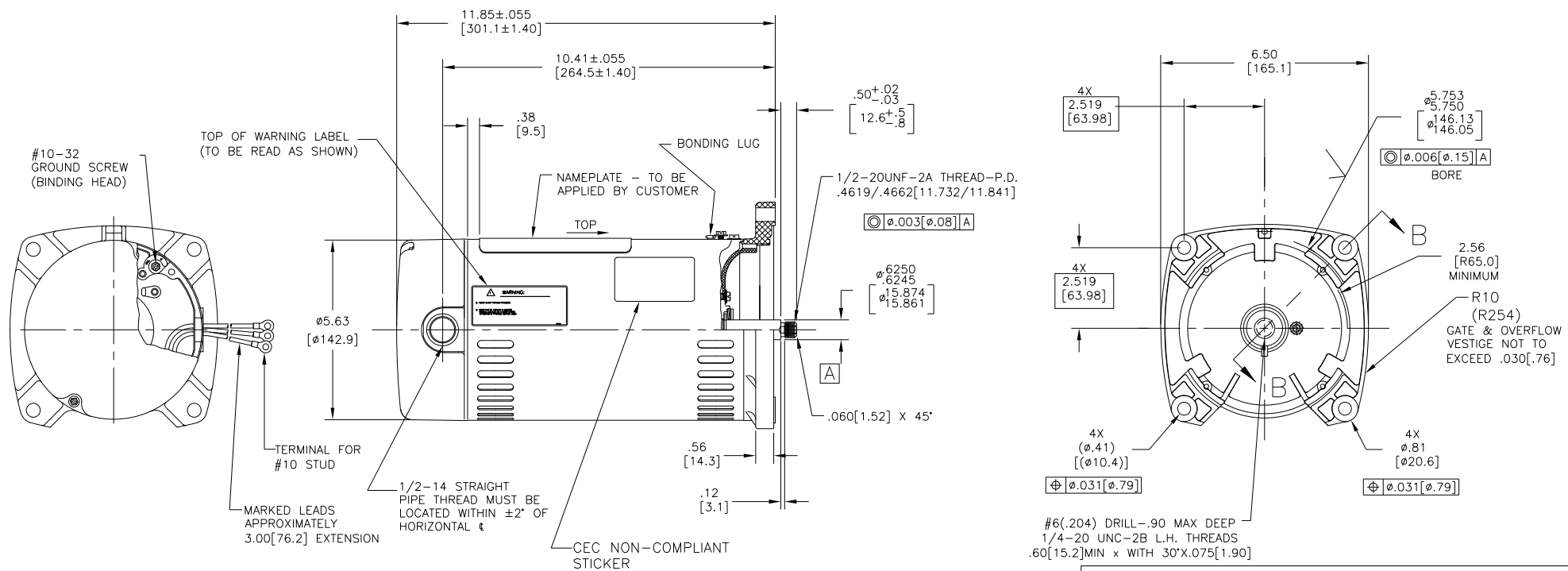
Nameplate Specifications

Output HP	1 1/2 Hp	Output KW	1.1 kW
Frequency	60 Hz	Voltage	208-230/460 V
Current	6.8/3.4 A	Speed	3450 rpm
Service Factor	1.47	Phase	3
Duty	Continuous	Insulation Class	B
Frame	48Y	Enclosure	Open Drip Proof
Thermal Protection	No Protection	Ambient Temperature	50 °C
UL	No	CSA	Y
Number of Speeds	1		

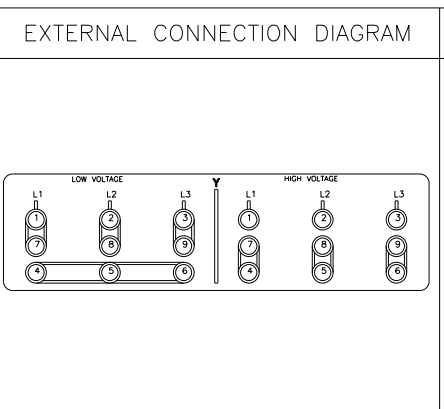
Technical Specifications

Electrical Type	Polyphase	Poles	2
Rotation	Counterclockwise Pump End	Mounting	Round
Motor Orientation	Horizontal	Drive End Bearing	Ball
Opp Drive End Bearing	Ball	Frame Material	Rolled Steel
Shaft Type	1/2 Threaded	Overall Length	12.57 in
Frame Length	8.69 in	Shaft Diameter	0.625 in
Shaft Extension	0.906 in		
Connection Drawing	614621-002	Outline Drawing	Q3152

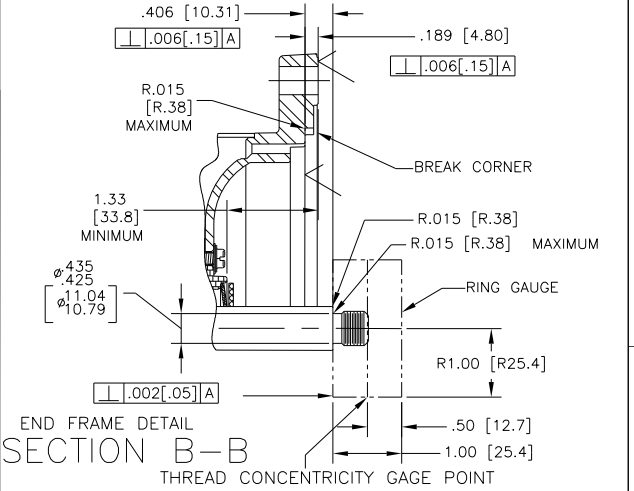
This is an uncontrolled document once printed or downloaded and is subject to change without notice. Date Created:11/28/2022



NAMEPLATE DATA	
MODEL: P48M2EB7A2	CUST PN: Q3152
HP: 1.5	SF: 1.47
ROT: CCWPE	
RPM: 3450	
FORM: P	CODE: N
	FRAME: 48Y
VOLTS: 208-230/460	
AMPS:	
MAX AMPS: 6.8/3.4	
SF AMPS: -	
PH: 3	HZ: 60
INS: B	AMB: 50°C
DUTY: CONT	
ENCLOSURE: ODP	
THERMALLY PROTECTED: NONE	



- NOTES
1. FINISH PAINT TO BE BLACK LACQUER.
 2. 7/16 WRENCH FLATS ON SHAFT - FOR ACCESS TO THIS WRENCH FLAT REMOVE END COVER
 3. STAINLESS STEEL SHAFT EXTENSION
 4. LIMITS ON AMPLITUDE OF VIBRATION MEASURED AT BEARING HOUSING = .001 [0.03].
 5. CTQ REQUIREMENT SEE EP000105-008.
 6. RoHS & REACH REQUIREMENT SEE EP000014.



PERFORMANCE CURVE	APPROVED SAMPLE
P48M2W4	
UL COMPONENT	CSA
FILE#	CCN#
	FILE#
	GUIDE#
	LR43341
	4211-01
CUSTOMER	DISTRIBUTION SERVICES

CRITICAL TO QUALITY CHARACTERISTICS (CTQs)	DRAWING REVISION	REVISION BY	DATE	TOLERANCES UNLESS OTHERWISE SPECIFIED	ANGLE
(P) PROCESS	ECO	HAIXIA.ZHANG	04-18-2022	DEC. INCH mm	±0.1 [±3] ±0.5
(E) ENGINEERING	ECR-0216845	TRISTIA.ZHAO	04-18-2022	.XX ±0.02 [±0.5]	.XXX ±0.005 [±0.13]
(A) APPLICATION	SEE ECR			XXXX ±0.0005 [±0.013]	REMOVE BURRS & BREAK SHARP EDGES .003/0.015 [0.08.38]
(R) REGULATORY				CORNER FILLETS .02 [5]	MACHINED SURFACES 125 mm 3/2
(L) LIFE				mm SHOWN IN [BRACKETS]	

DRAWN BY: JLG	DATE: 05-12-2009	APPROVED BY:	DESCRIPTION: MODEL-PFHP-48FR OUTLINE
REFERENCE:	MATERIAL:	PROCESS/FINISH:	
THIRD ANGLE PROJECTION	SIZE: C	DWG NO: Q3152	SHEET: 1

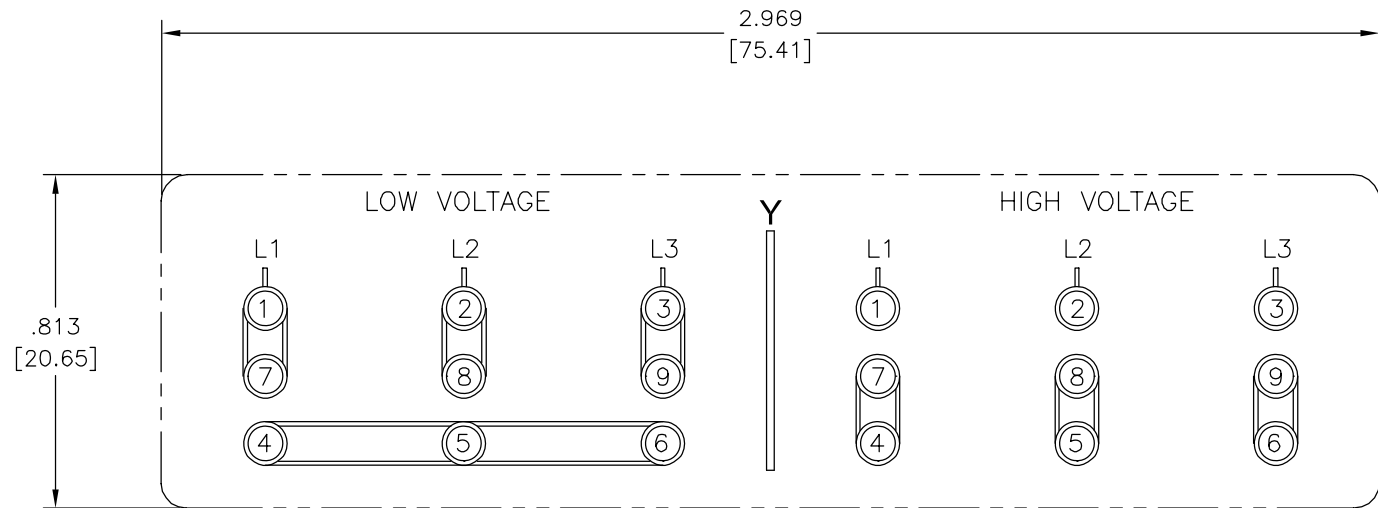
4

3

2

1

REV	ECO	REV BY	DATE	APPD	DATE
B	0025817	Caddie	05-07-2012	Jevon	05-07-2012



NOTES:

- FOR USE WITH 614620 NAMEPLATE BLANK
- DIE MUST PRODUCE A LEGIBLE IMPRESSION
- INDICATES DIMENSIONAL LIMITS. NO BOUNDARY LINES.

GEOMETRIC CHARACTERISTICS & SYMBOLS ▭ FLATNESS — STRAIGHTNESS ∠ ANGULARITY ⊥ PERPENDICULARITY (SQUARENESS) // PARALLELISM ○ ROUNDNESS (CIRCULARITY) ∅ CYLINDRICITY △ PROFILE OF ANY SURFACE ∩ PROFILE OF ANY LINE ↗ RUNOUT ⊕ TRUE POSITION ⊙ CONCENTRICITY = SYMMETRY ASME Y14.5M 1994	UNLESS OTHERWISE SPECIFIED DIM. TOLERANCES ARE AS FOLLOWS: INCH X XX XXX XXXX mm ±0.5 ±0.13 ±0.013 ±0.005 ANG. ±.50 DEG REMOVE BURRS & BREAK SHARP EDGES: INCH .003-.015 mm 0.1-0.4 CORNER FILLETS TO: INCH .020 mm 0.5 MACHINE SURFACES: INCH 125 mm 3.2 METRIC DIMS. SHOWN IN [BRACKETS]	DR BY:	G.GOLDY	03-08-2002	REGAL-BELOIT CORPORATION DESCRIPTION CONNECTION DIAGRAM-EXTERNAL
		APPD:			
		THIRD ANGLE PROJECTION			SIZE C DWG NO 614621-002
		CONFIDENTIAL: THIS DRAWING AND ITS INFORMATION ARE THE EXCLUSIVE AND CONFIDENTIAL PROPERTY OF REGAL-BELOIT CORPORATION AND ARE NOT TO BE DISCLOSED, DUPLICATED, DISTRIBUTED OR OTHERWISE USED WITHOUT THE WRITTEN CONSENT OF REGAL-BELOIT CORPORATION. -ALL RIGHTS RESERVED.			SCALE NONE SHEET 1

4

3

2

1

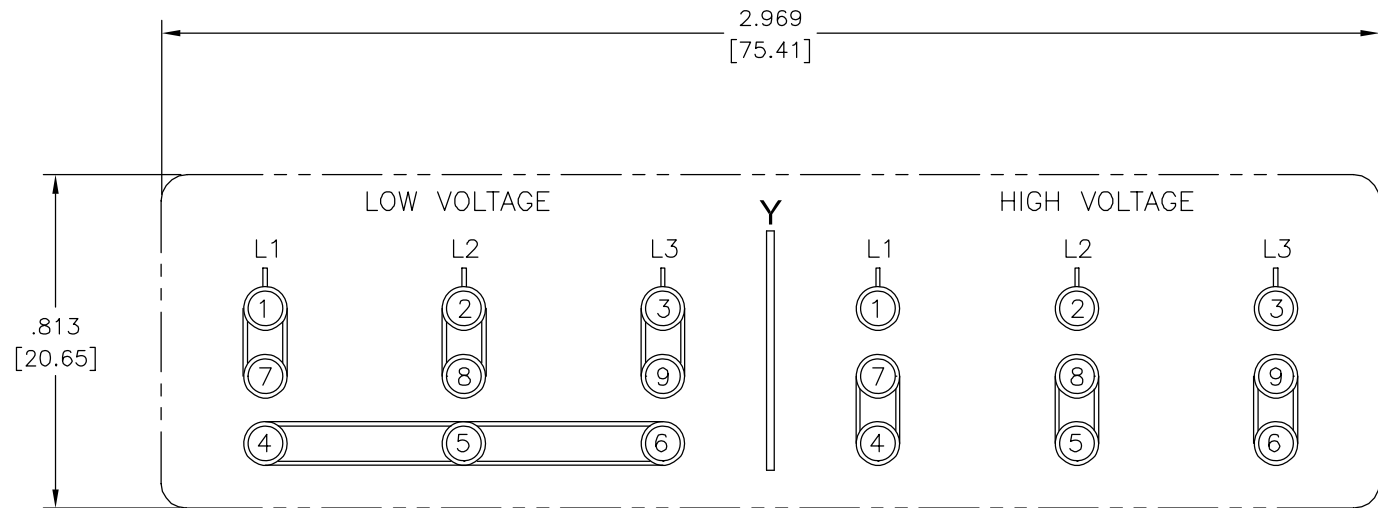
4

3

2

1

REVISION:	ECO	REVISADO POR:	FECHA:	APROBADO POR:	FECHA:
B	0025817	Caddie	05-07-2012	Jevon	05-07-2012



CARACTERISTICAS DE GEOMETRIA Y SIMBOLOS

- ▢ PLANICIDAD
- RECTITUD
- ∠ ANGULARIDAD
- ⊥ PERPENDICULARIDAD (A ESCUADRA)
- // PARALELISMO
- REDONDEZ (CIRCULARIDAD)
- ⊘ CILINDRICIDAD
- △ PERFIL DE CUALQUIER SUPERFICIE
- ∧ PERFIL DE CUALQUIER LINEA
- ↑ VARIACION
- ⊕ POSICION REAL
- ⊙ CONCENTRICIDAD
- = SIMETRIA

A MENOS QUE SE ESPECIFIQUE DE OTRA MANERA, LAS TOLERANCIAS DE LAS DIMS; SON LAS SIGUIENTES:

	X	XX	XXX	XXXX
PULG	±.1	±.02	±.005	±.0005
mm	±0.5	±0.13	±0.013	

ANG. ± 50 GRADOS
ELIMINAR REBABAS Y ORILLAS FILOSAS DEL BORDE.

	PULG	.003-.015	mm	0.1-0.4
--	------	-----------	----	---------

FILETEAR ESQUINA: PULG .020 mm 0.5
MAQUINAR SUPERFICIES
PULG 125 mm .32

DIMS METRICAS MOSTRADAS [PARENTESIS]

DIBUJADO POR: G.GOLDY	03-08-2002
APROBADO POR:	
TERCER ANGULO DE PROYECCION	FECHA EDS: 11-11-2011 REV. FORMATO: G
CONFIDENCIAL: ESTE DIBUJO Y SU INFORMACION SON PROPIEDAD DE USO EXCLUSIVO Y CONFIDENCIAL DE REGAL-BELOIT CORPORATION. Y NO DEBERAN SER REVELADOS, DUPLICADOS, DISTRIBUIDOS O USARSE DE OTRA MANERA SIN EL CONSENTIMIENTO ESCRITO DE REGAL-BELOIT CORPORATION. -TODOS LOS DERECHOS RESERVADOS.	

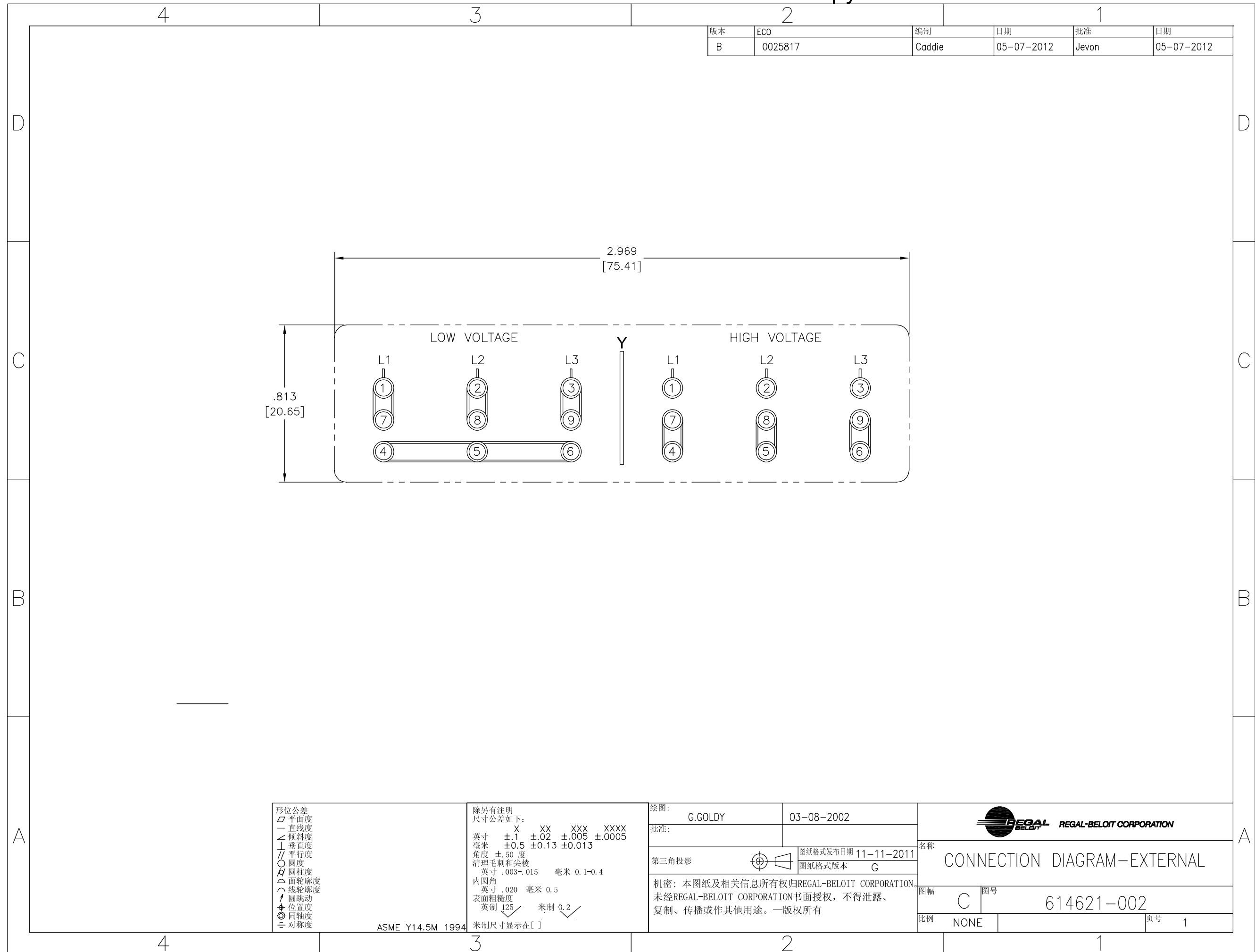
DESCRIPCION: CONNECTION DIAGRAM-EXTERNAL	
TAMAÑO: C	NUMERO DE DIBUJO: 614621-002
ESCALA: NONE	HOJA: 1

4

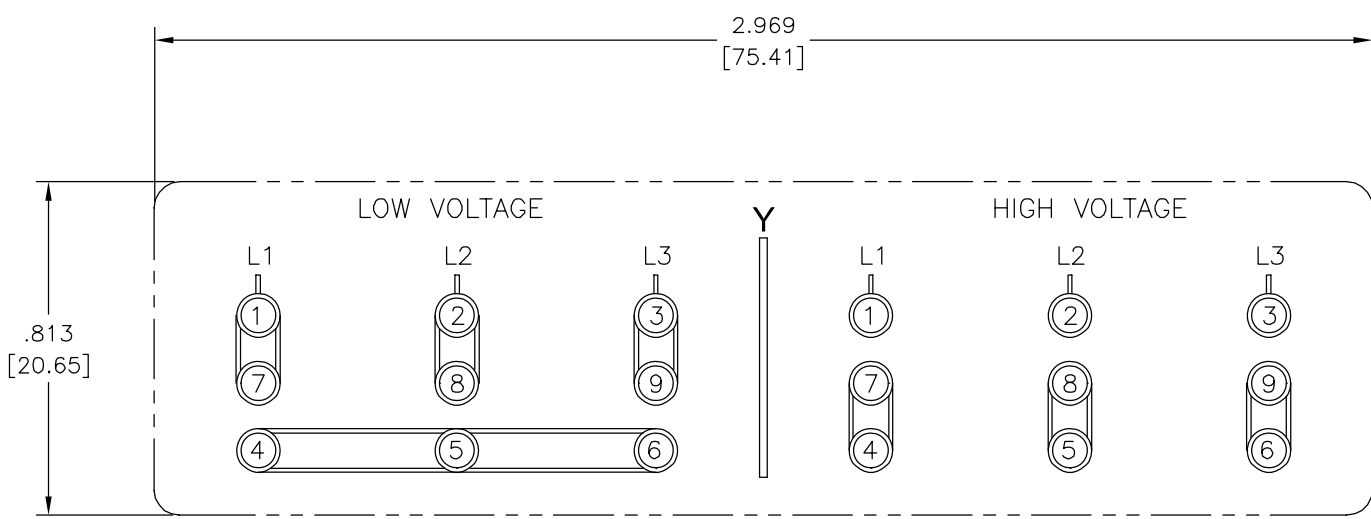
3

2

1



版本	ECO	编制	日期	批准	日期
B	0025817	Caddie	05-07-2012	Jevon	05-07-2012



形位公差

- 平面度
- 直线度
- ∠ 倾斜度
- ⊥ 垂直度
- // 平行度
- 圆度
- ⊘ 圆柱度
- △ 面轮廓度
- ∩ 线轮廓度
- ↗ 圆跳动
- ⊕ 位置度
- ⊙ 同轴度
- ≡ 对称度

ASME Y14.5M 1994

除另有注明
尺寸公差如下:

英寸	±.1	±.02	±.005	±.0005
毫米	±0.5	±0.13	±0.013	

角度 ±.50 度
清理毛刺和尖棱
英寸 .003-.015 毫米 0.1-0.4
内圆角
英寸 .020 毫米 0.5
表面粗糙度
英制 125 米制 3.2

米制尺寸显示在 []

绘图:	G.GOLDY	03-08-2002
批准:		
第三角投影		图纸格式发布日期 11-11-2011 图纸格式版本 G
机密: 本图纸及相关信息所有权归REGAL-BELOIT CORPORATION 未经REGAL-BELOIT CORPORATION书面授权, 不得泄露、 复制、传播或作其他用途。—版权所有		

名称 CONNECTION DIAGRAM-EXTERNAL	
图幅 C	图号 614621-002
比例 NONE	页号 1