

PRODUCT INFORMATION PACKET



Model No: RA1016

Catalog No: RA1016

Fan Coil & Air Conditioner Motor, 1/6 HP, 1 Ph, 60 Hz, 208-230 V, 1075 RPM, 3 Speed, 48 Frame,
SEMI ENCLOSED



Regal and Century are trademarks of Regal Rexnord Corporation or one of its affiliated companies.
©2022 Regal Rexnord Corporation, All Rights Reserved. MC017097E





Nameplate Specifications

Output HP	1/6 Hp	Output KW	0.13 kW
Frequency	60 Hz	Voltage	208-230 V
Current	.96 A	Speed	1075 rpm
Service Factor	1	Phase	1
Duty	Air Over	Insulation Class	B
Frame	48Y	Enclosure	Semi Enclosed
Thermal Protection	Automatic	Ambient Temperature	40 °C
UL	Recognized	CSA	Y
CE	N	Number of Speeds	3

Technical Specifications

Electrical Type	Permanent Split Capacitor	Starting Method	Across The Line
Poles	6	Rotation	Counterclockwise Lead End
Mounting	Resilient Ring/Extended Studs	Motor Orientation	Horizontal
Drive End Bearing	Sleeve	Opp Drive End Bearing	Sleeve
Frame Material	Rolled Steel	Shaft Type	Flat
Overall Length	20.00 in	Frame Length	3.13 in
Shaft Diameter	0.500 in	Shaft Extension	8.3X.5X8.0 in
Outline Drawing	11773-002-S01	Connection Drawing	614131-106

This is an uncontrolled document once printed or downloaded and is subject to change without notice. Date Created:11/28/2022

GENERAL INFORMATION:

SHAFT RUNOUT: .001[.03] T.I.R. PER INCH LENGTH OF EXTENSION

BEARINGS: BALL

MOUNTING POSITION: HORIZONTAL

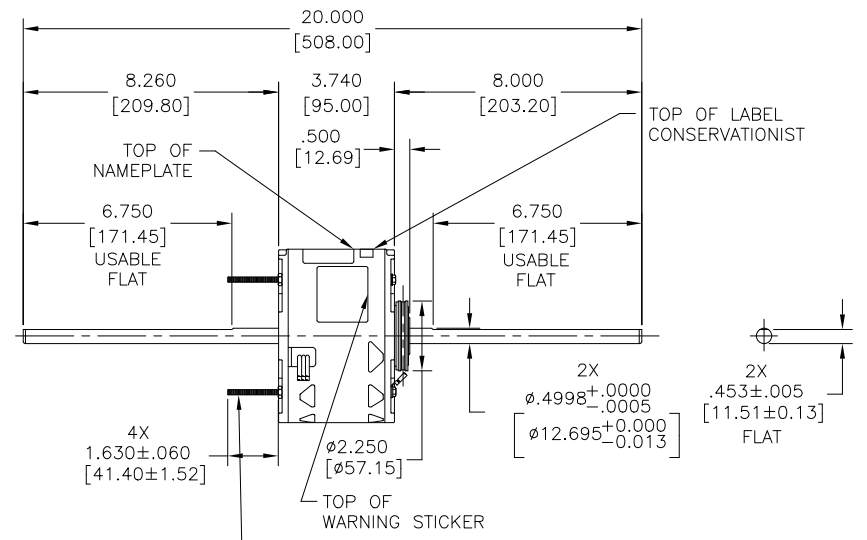
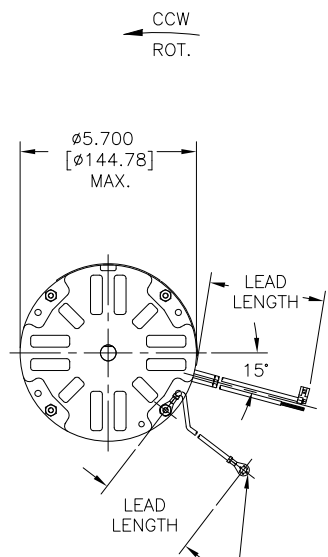
ELECTRICAL DATA:

OVERLOAD PROTECTOR: AUTOMATIC RESET (T.I. 7AM 036)

LEADS: NO. 18 GA., .06[1.5] THK. 105°C PVC INSUL.

GROUND LEAD: NO. 18 GA., .03[.8] THK., (GREEN) INSUL.

REV	ECO	REV BY	DATE	APPD	DATE
H	NMR-0217344	TRSK	11-1-2022	KEP	11-1-2022



NAMEPLATE DATA:

MODEL: F48SD6L7
 CUST. P/N: []
 HP: 1/6
 ROT: CCWLE
 RPM: 1075/3 SPD.
 TYPE: UF
 FRAME: 48Y
 VOLTS: 208-230
 PH: 1
 AMPS: 0.96 (1.2 MAX.)
 HZ: 60
 INS: B
 AMB: 40°C
 DUTY: AIR OVER
 CAP.: 5 MFD/370V
 ENCL: SEMI-ENCL.
 CSA LOGO
 UL LOGO
 THERMALLY PROTECTED

EXTERNAL CONNECTION DIAGRAM

SEE NOTE 2

SEP. CAP.

BROWN

BROWN/W

WHITE

BLACK HI

BLUE MED

RED LO

LINE

614131-106

COLOR	LENGTH	TERMINAL OR STRIP LENGTH
GREEN (GRD)	29/31[737/787]	#10 EYELET
BROWN/WHITE	35/37[889/940]	.25[6.4] FLAG
BROWN	35/37[889/940]	.25[6.4] FLAG
WHITE	35/37[889/940]	.60[15.2] SKIN
BLACK	35/37[889/940]	.60[15.2] SKIN
BLUE	35/37[889/940]	.60[15.2] SKIN
RED	35/37[889/940]	.60[15.2] SKIN
COLOR	LENGTH	TERMINAL OR STRIP LENGTH

LEAD DATA

- NOTES:
- 615059-001 RESILIENT MOUNTING KIT TO BE PACKED WITH MOTOR
 - DISTRIBUTION PART NUMBER: RA1016 GRAINGER PART NUMBER: 4MA55

MAIN FRAME - OLE	SEMI-ENCLOSED
END FRAME - OLE	OPEN
MAIN FRAME - LE	SEMI-ENCLOSED
END FRAME - LE	OPEN

CUST.	DISTRIBUTION SERVICES
-------	-----------------------

PERFORMANCE CURVE NO.	TORQUE @1075 RPM (25°C)	APPROVED SAMPLE
C23105	10.4 OZ. FT.	EX11274

UL COMPONENT		CSA	
FILE	GUIDE	FILE	GUIDE
E46412	PRGY2	LR43341	260-0-0

GEOMETRIC CHARACTERISTICS & SYMBOLS

- FLATNESS
- STRAIGHTNESS
- ANGULARITY
- PERPENDICULARITY (SQUARENESS)
- PARALLELISM
- ROUNDNESS (CIRCULARITY)
- CYLINDRICITY
- PROFILE OF ANY SURFACE
- PROFILE OF ANY LINE
- RUNOUT
- TRUE POSITION
- CONCENTRICITY
- SYMMETRY

ASME Y14.5M 1994

REGAL-BELOIT CORPORATION (RBC) PROVIDES TECHNICAL ASSISTANCE TO OUR CUSTOMERS IN SEVERAL AREAS. SINCE RBC DOES NOT RECEIVE ALL DATA CONCERNING THE USE AND APPLICATION OF THE MOTOR, THE SUITABILITY OF THE MOTOR FOR THE APPLICATION MUST BE DETERMINED BY THE CUSTOMER.

DIMENSIONS WITHOUT TOLERANCES ARE FOR REFERENCE ONLY.

DR BY: MC NAMEE 04-14-1992

APPD: M. FRE 04-22-1992

THIRD ANGLE PROJECTION

EDS DATE 11-11-2011
 FORMAT REV H

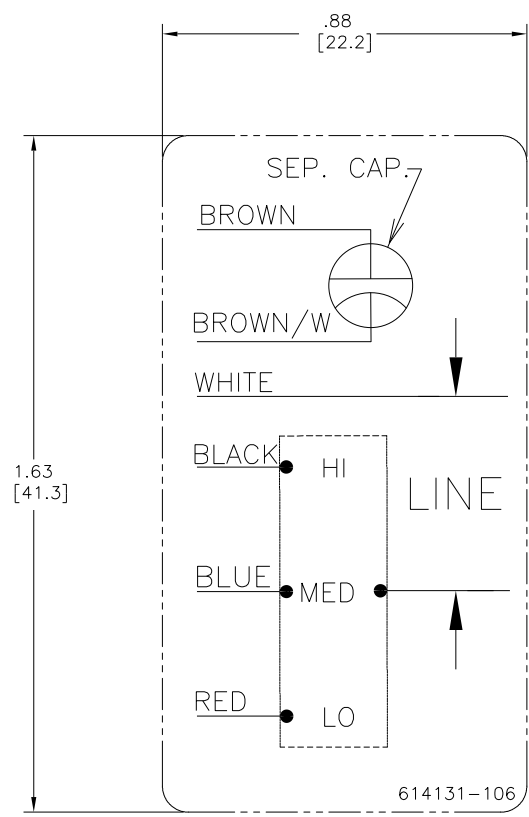
CONFIDENTIAL: THIS DRAWING AND ITS INFORMATION ARE THE EXCLUSIVE AND CONFIDENTIAL PROPERTY OF REGAL-BELOIT CORPORATION AND ARE NOT TO BE DISCLOSED, DUPLICATED, DISTRIBUTED OR OTHERWISE USED WITHOUT THE WRITTEN CONSENT OF REGAL-BELOIT CORPORATION. -ALL RIGHTS RESERVED.

REGAL REGAL-BELOIT CORPORATION

DESCRIPTION: MODEL-PFHP-48FR OUTLINE

SIZE: C DWG NO: 11773-002

SCALE: NONE SHEET: 1



- NOTES:
1. FOR USE WITH 614129 OR 2513020-001 NAMEPLATE BLANKS
 2. _____ INDICATES DIMENSION LIMITS

DRAWING REVISION D	REVISION BY J. RUPERT	DATE 09-08-2022	TOLERANCES UNLESS OTHERWISE SPECIFIED DEC. INCH mm ANGLE .X ±0.1 [±2.5] ±0.5° .XX ±0.02 [±0.51] .XXX ±0.005 [±0.127] XXXX ±0.0005 [±0.0127]	DRAWN BY: PZ	Regal Beloit America, Inc.
ECO NMR-0216370	APPROVED BY J. RUPERT	DATE 09-08-2022	REMOVED BURRS & BREAK SHARP EDGES .003/.015 [0.076/.381] X 45° CORNER FILLETS R.02 [51] MACHINED SURFACES .125/ mm 32/ INCH mm 32/ mm SHOWN IN [BRACKETS]	DATE: 04-12-2011	
ECO DESCRIPTION REVISED FOR UP ISSUE			APPROVED BY: Tiger Wong	DATE: 04-12-2011	DESCRIPTION CONN-DIAGRAM NAMEPLATE
<small> COPYRIGHT REGAL BELOIT AMERICA, INC. ALL RIGHTS RESERVED. PROPRIETARY AND CONFIDENTIAL INFORMATION - THIS DOCUMENT IS THE PROPERTY OF REGAL BELOIT AMERICA, INC. (OWNER) AND CONTAINS OWNER'S PROPRIETARY INFORMATION. ANY REPRODUCTION OR OTHER FIRM RECEIVING IT IS DENIED. BY RECEIVING IT, TO AGREE THAT IT, AND/OR ANY PART OF IT, SHALL NOT BE DISCLOSED TO ANY PERSON, CORPORATION OR OTHER ENTITY, DUPLICATED, AND/OR USED, EXCEPT AS EXPRESSLY APPROVED IN WRITING IN ADVANCE BY OWNER. THIS DOCUMENT SHALL BE RETURNED TO OWNER UPON REQUEST. IT MAY BE SUBJECT TO CERTAIN RESTRICTIONS UNDER APPLICABLE EXPORT CONTROL LAWS AND REGULATIONS. </small>			REFERENCE	MATERIAL	PROCESS/FINISH
			THIRD ANGLE PROJECTION	SIZE DWG NO C 614131-106	SHEET 1

C23105

C23105

A. O. SMITH CORP. - ELECTRIC MOTOR DIVISION

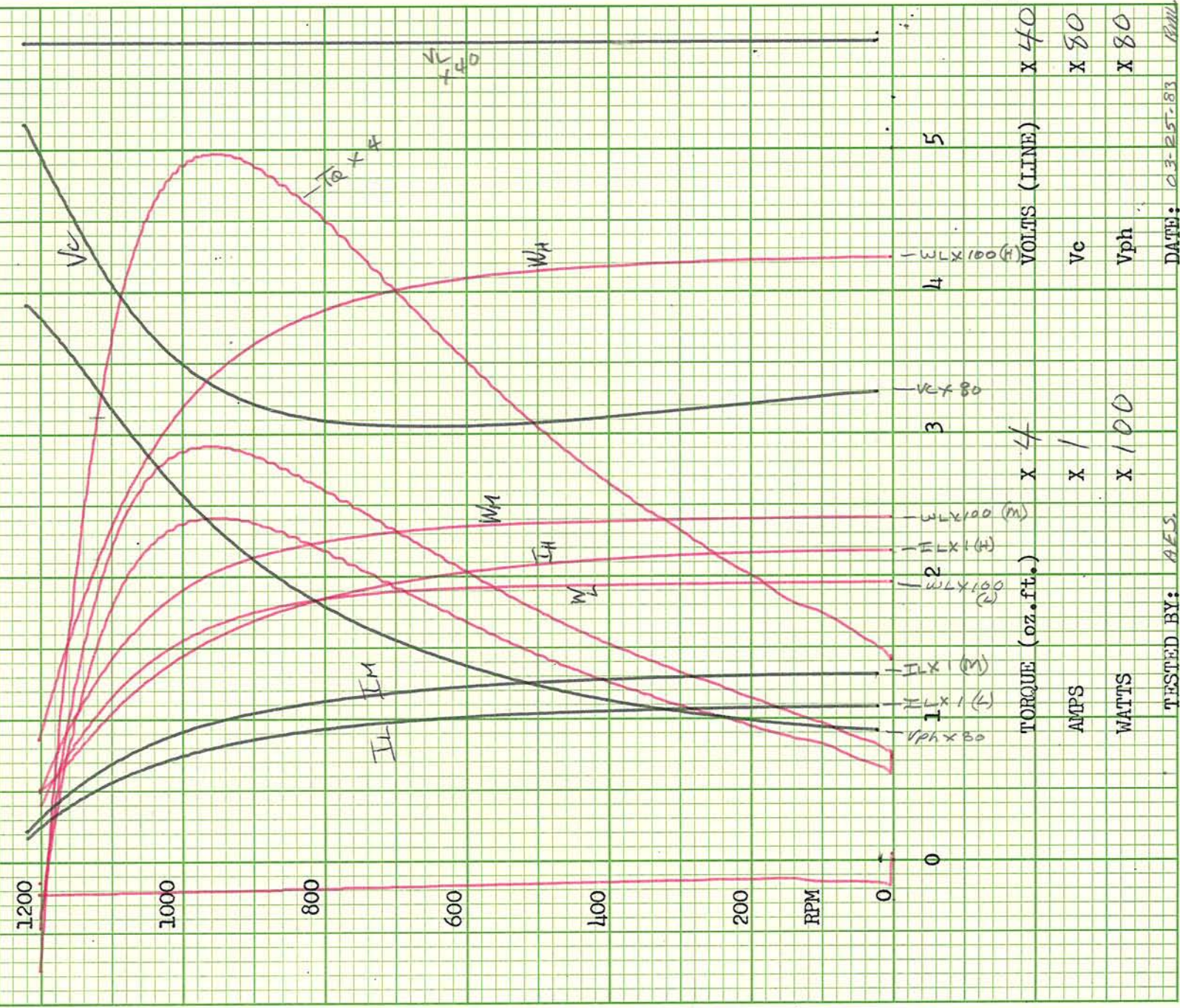
TYPE	UF	FRAME	MODEL NO.	Ro.t.c.c.w.t.e
HP	1/6	48	F485D4L7	EX 11274
PHASE	1	VOLTS 208-230	HZ 60/50	MFD
		RPM 1075 (3SP)	CAP 5.0	

RA1016
SA1016

112.0 RPM
12.45 MW
2.13 W
.166 HP
η = 55.3
.94 A

1.08
16.8
2.5
1.14
η = 6
.216

TEST @ 230V, 60HZ



TESTED BY: AES DATE: 03-25-83



Specification & Rating Report

Item Number: **RA1016**

Specification Number: **1**

Model Number: **F48SD6L7**

Carton Label Model
Number:

Customer Model
Number:

Sample Number:

Customer Specification
Number:

Catalog Number: **RA1016**

Agency Type:

CE: **N**

CSA: **Y**

UL: **Y**

CE Number:

CSA Number: **NO**

UL Number: **NO**

UL Explosion Proof Rating:

Cubic Feet Per Minute:

F2 Assembly:

UPC Model Number:

UPC Catalog Number: **786674030122**

Nameplate Drive
Bearing Type:

Nameplate Opposite
Drive Bearing Type:

Label Drive Bearing **BALL**
Type:

Label Opposite Drive **BALL**
Bearing Type:

Capacitor:

Capacitor Rating MFD: **5**

Capacitor Included: **N**

Capacitor Rating VAC: **370**

Control Code:

DC Design Number:

Form Factor:

Design Status:

Features:

Connection Diagram:

Lubrication Label
Diagram:

Outline Diagram: **11773-002-S01**

Installation Diagram:

Warning Label
Diagram:

Outline Graphic: **81A**

Ambient Temperature: **40**

Insulation Class: **B**



Specification & Rating Report

Protector: AUTOMATIC Nameplate Overload: IP Code: Nameplate Enclosure: SEMI ENCL Frame Length: 3.125 Frame Diameter: Frame Size: 48Y Frame Material: ROLLED STEEL Operator Instruction Manual: Nameplate Mounting: Base Height: Ring Diameter: Nameplate: Nameplate Location L Format: Brake: Layer Quantity: Phase: 1 DC Pole: Poles: 6 Speeds: 3 Duty: AIR OVER Shaft Diameter: 1/2 Shaft Extension: 8.3X.5X8.0 Shaft Material: Shaft Type: FLAT Motor Type: UF Motor Use: Nameplate 1: Nameplate 2: Nameplate Text 1:	Thermal Protection: Label Overload: Label Enclosure: SEMI ENCL Frame Length UOM: Frame Diameter UOM: End Frame Material: Label Mounting: STUD/RESILIENT RING Base Height UOM: RingDiameterUOM: Carton Label: Tachometer: Pallet Quantity: CurrentType: Shaft Diameter UOM: IN Shaft Extension UOM: IN Rotation: CCWLE
---	---



Specification & Rating Report

Nameplate Text 2:

Nameplate Text 3:

Nameplate Text 4:

Label Text 1: **PERMANENT
SPLIT
CAPACITOR**

Label Text 2:

Label Text 3: **CONSERVATIONIST TM
ROOM AIR
CONDITIONER MOTOR**

Label Text 4:

Brand Line:

Vendor Line:

Motor Weight:

Motor Weight UOM:

Shipping Weight:

Shipping Weight UOM:

Armature Field
Winding:

Core Length:

Core Length UOM:

Winding Code:

Winding Specification:

Nameplate Only
Instructions:

Nameplate & Label
Instructions:

Label Only
Instructions:



Specification & Rating Report

Rating Number: **1**

Horsepower: **1/6**

Volts: **208-230**

Hertz: **60**

Field Current:

Revolutions Per **1075/3 SPD**
Minute:

Service Factor: **1.0**

Service Factor Amps:

NEMA Code:

NEMA Design:

Customer Nameplate Number:

Kilowatts:

Amps: **.96**

Maximum Amps: **1.2**

Armature Current:

Power Factor:

Service Factor Volts:

NEMA Nominal Efficiency: **57.5**

NEMA Guaranteed Efficiency: