

PRODUCT INFORMATION PACKET



Model No: RA1034

Catalog No: RA1034

Fan Coil & Air Conditioner Motor, 1/3 HP, 1 Ph, 60 Hz, 208-230 V, 1625 RPM, 3 Speed, 48 Frame,
SEMI ENCLOSED



Regal and Century are trademarks of Regal Rexnord Corporation or one of its affiliated companies.
©2022 Regal Rexnord Corporation, All Rights Reserved. MC017097E





Nameplate Specifications

Output HP	1/3 Hp	Output KW	0.25 kW
Frequency	60 Hz	Voltage	208-230 V
Current	2.0 A	Speed	1625 rpm
Service Factor	1	Phase	1
Duty	Air Over	Insulation Class	A
Frame	48Y	Enclosure	Semi Enclosed
Thermal Protection	Automatic	Ambient Temperature	50 °C
UL	Recognized	CSA	Y
CE	N	Number of Speeds	3

Technical Specifications

Electrical Type	Permanent Split Capacitor	Starting Method	Across The Line
Poles	4	Rotation	Counterclockwise Lead End
Mounting	Resilient Ring/Extended Studs	Motor Orientation	Horizontal
Drive End Bearing	Sleeve	Opp Drive End Bearing	Sleeve
Frame Material	Rolled Steel	Shaft Type	Flat
Overall Length	20.00 in	Frame Length	4.00 in
Shaft Diameter	0.500 in	Shaft Extension	7.4X.5X8.0 in
Outline Drawing	11773-030-S01	Connection Drawing	614131-106

This is an uncontrolled document once printed or downloaded and is subject to change without notice. Date Created:11/28/2022

4

3

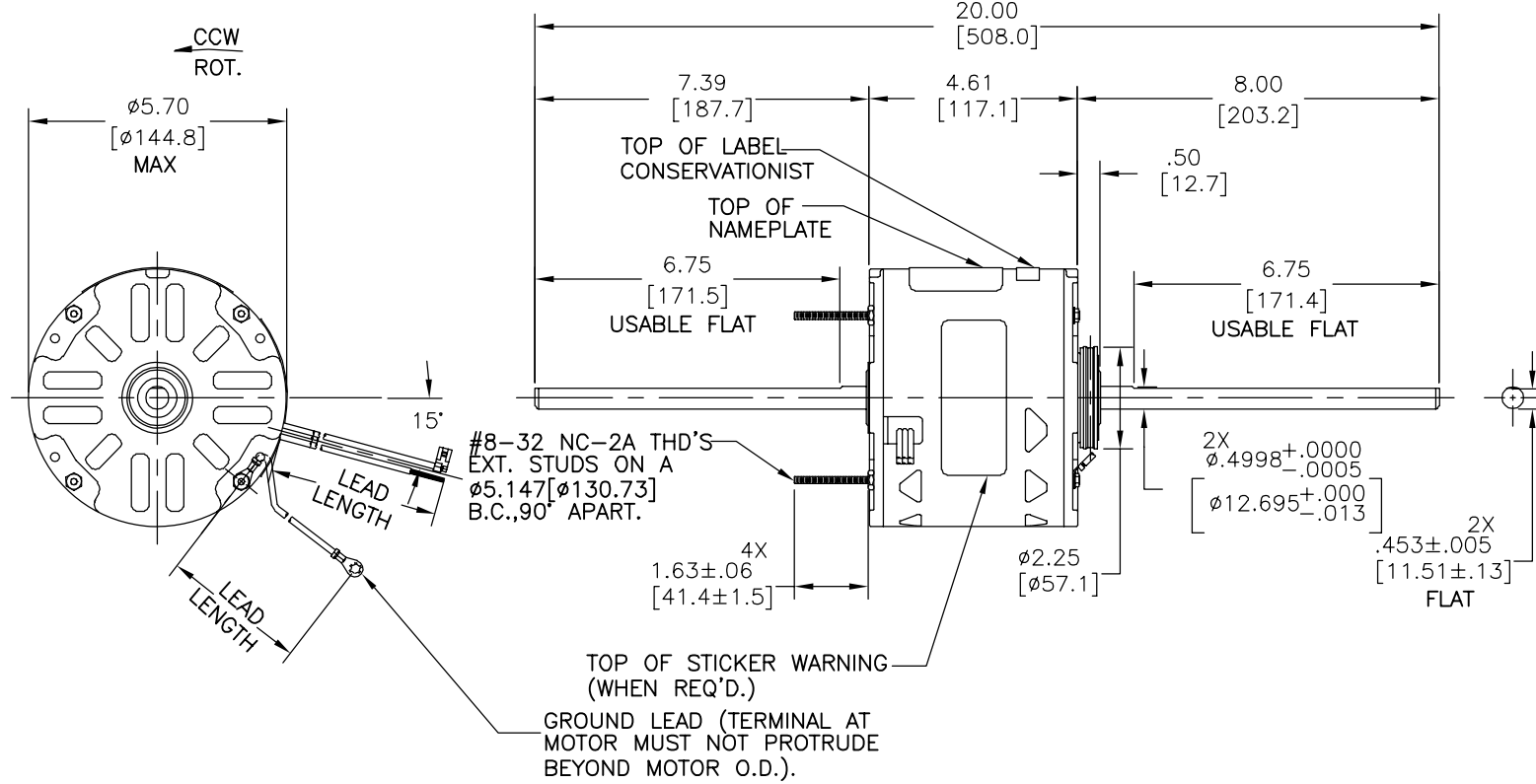
2

1

REV	ECO	REV BY	DATE	APPD	DATE
E	0025575	A. ARREOLA	05-01-2012	D. BALDERRAMA	05-01-2012

GENERAL INFORMATION:

SHAFT RUNOUT: .001 [.03] T.I.R. PER INCH LENGTH OF EXTENSION
 END PLAY: .010 TO .063 [.25 TO 1.60]
 BEARINGS: SLEEVE
 MOUNTING POSITION: HORIZONTAL
 ELECTRICAL DATA:
 OVERLOAD PROTECTOR: AUTOMATIC RESET (T.I. 7AM 032)
 LEADS: NO. 18 GA., .06[1.5] THK. PVC 105°C INSUL.
 GROUND LEAD: NO. 18 GA., .03[.8] THK., (GREEN) INSUL.

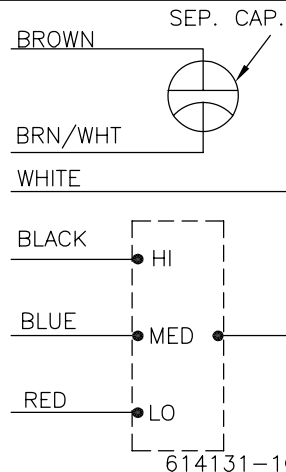


NAMEPLATE DATA:

MODEL NO.: F48SJ4L3
 CUST. P/N: []
 HP: 1/3
 ROT: CCWLE
 RPM: 1625/3 SPD.
 TYPE: UF
 FRAME: 48Y
 VOLTS: 208-230
 PH: 1
 AMPS: 2.0 (2.8 MAX.)
 HZ: 60
 INS: A
 AMB: 50°C
 DUTY: AIR OVER
 CAP.: 5 MFD/370V
 ENCL: SEMI-ENCL.
 CSA LOGO
 UL LOGO
 THERMALLY PROTECTED

SEE NOTE 2

EXTERNAL CONNECTION DIAGRAM



COLOR	LENGTH	TERMINAL OR STRIP LENGTH
GREEN/(GRD)	29[737]/31[787]	#10 EYELET
BROWN/WHITE	35[889]/37[940]	.25[6.4] FLAG
BROWN	35[889]/37[940]	.25[6.4] FLAG
WHITE	35[889]/37[940]	.60[15.2] STRIP
BLACK	35[889]/37[940]	.60[15.2] STRIP
BLUE	35[889]/37[940]	.60[15.2] STRIP
RED	35[889]/37[940]	.60[15.2] STRIP
LEAD DATA		

NOTE:

- 615059-001 RESILENT MOUNTING KIT TO BE PACKED WITH MOTOR.
- DISTRIBUTION PART NUMBER: RA1034
GRAINGER PART NUMBER: 4MA63

MAIN FR.-OLE	SEMI-ENCLOSED
END FR.-OLE	OPEN
MAIN FR.-LE	SEMI-ENCLOSED
END FR.-LE	OPEN
ENCLOSURE	

CUST .	DISTRIBUTION SERVICES
--------	-----------------------

PREFORMANCE CURVE NO.	TORQUE @ 1625 RPM(25°C)	APPROVED SAMPLE	UL COMPONENT FILE#	GUIDE#	CSA FILE#	GUIDE#
C23010	25.2 OZ. FT.	EX11259	E46412	PRGY2	LR43341	260-0-0

GEOMETRIC CHARACTERISTICS & SYMBOLS
 ▮ FLATNESS
 — STRAIGHTNESS
 < ANGLARITY
 ⊥ PERPENDICULARITY (SQUARENESS)
 // PARALLELISM
 ○ ROUNDNESS (CIRCULARITY)
 ∅ CYLINDRICITY
 △ PROFILE OF ANY SURFACE
 ∩ PROFILE OF ANY LINE
 ↑ RUNOUT
 ⊕ TRUE POSITION
 ⊙ CONCENTRICITY
 = SYMMETRY
 ASME Y14.5M 1994

REGAL-BELOIT CORPORATION (RBC) PROVIDES TECHNICAL ASSISTANCE TO OUR CUSTOMERS IN SEVERAL AREAS. SINCE RBC DOES NOT RECEIVE ALL DATA CONCERNING THE USE AND APPLICATION OF THE MOTOR, THE SUITABILITY OF THE MOTOR FOR THE APPLICATION MUST BE DETERMINED BY THE CUSTOMER.

DIMENSIONS WITHOUT TOLERANCES ARE FOR REFERENCE ONLY.

DR BY:	R. RHODUS	02-25-1997
APPD:	R. BROW	04-13-1995
THIRD ANGLE PROJECTION	⊕	EDS DATE 11-11-2011 FORMAT REV G

CONFIDENTIAL: THIS DRAWING AND ITS INFORMATION ARE THE EXCLUSIVE AND CONFIDENTIAL PROPERTY OF REGAL-BELOIT CORPORATION AND ARE NOT TO BE DISCLOSED, DUPLICATED, DISTRIBUTED OR OTHERWISE USED WITHOUT THE WRITTEN CONSENT OF REGAL-BELOIT CORPORATION. -ALL RIGHTS RESERVED.



DESCRIPTION	
MODEL-RFHP-48FR OUTLINE	
SIZE C	DWG NO 11773-030
SCALE NONE	SHEET 1

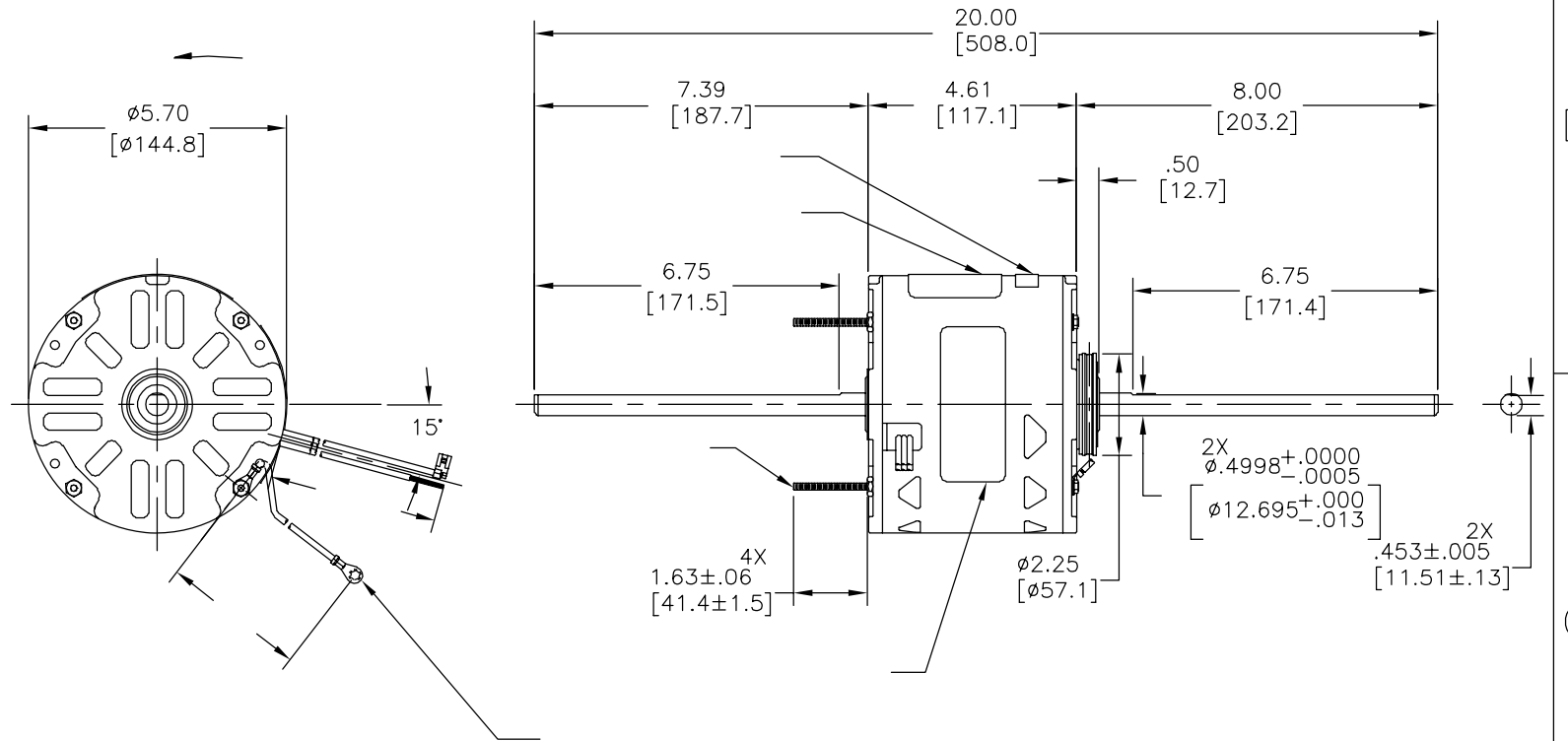
4

3

2

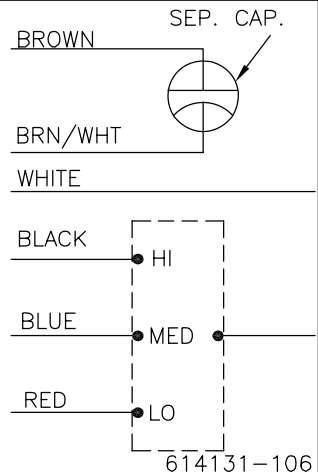
1

REVISION:	ECO	REVISADO POR:	FECHA:	APROBADO POR:	FECHA:
E	0025575	A. ARREOLA	05-01-2012	D. BALDERRAMA	05-01-2012



SEE NOTE 2

MODEL NO.: F48SJ4L3
 CUST. P/N: []
 HP: 1/3
 ROT: CCWLE
 RPM: 1625/3 SPD.
 TYPE: UF
 FRAME: 48Y
 VOLTS: 208-230
 PH: 1
 AMPS: 2.0 (2.8 MAX.)
 HZ: 60
 INS: A
 AMB: 50°C
 DUTY: AIR OVER
 CAP.: 5 MFD/370V
 ENCL: SEMI-ENCL.
 CSA LOGO
 UL LOGO
 THERMALLY PROTECTED



	29[737]/31[787]	
	35[889]/37[940]	.25[6.4]
	35[889]/37[940]	.25[6.4]
	35[889]/37[940]	.60[15.2]
	35[889]/37[940]	.60[15.2]
	35[889]/37[940]	.60[15.2]
	35[889]/37[940]	.60[15.2]

CUST . DISTRIBUTION SERVICES

C23010	25.2 OZ. FT.	EX11259	E46412	PRGY2	LR43341	260-0-0

CARACTERISTICAS DE GEOMETRIA Y SIMBOLOS
 ▽ PLANICIDAD
 — RECTITUD
 < ANGULARIDAD
 ⊥ PERPENDICULARIDAD (A ESCUADRA)
 // PARALELISMO
 ○ REDONDEZ (CIRCULARIDAD)
 ∅ CILINDRICIDAD
 △ PERFIL DE CUALQUIER SUPERFICIE
 ∩ PERFIL DE CUALQUIER LINEA
 / VARIACION
 ⊕ POSICION REAL
 ⊙ CONCENTRICIDAD
 = SIMETRIA
 ASME Y14.5M 1994

REGAL-BELOIT CORPORATION (RBC)
 PROVEE ASISTENCIA TECNICA A NUESTROS CLIENTES EN VARIAS AREAS. DESDE QUE RBC NO RECIBE TODOS LOS DATOS EN RELACION AL USO Y A LA APLICACION DEL MOTOR, LA APLICACION ADECUADA DEL MOTOR DEBE SER DETERMINADA POR EL CLIENTE.

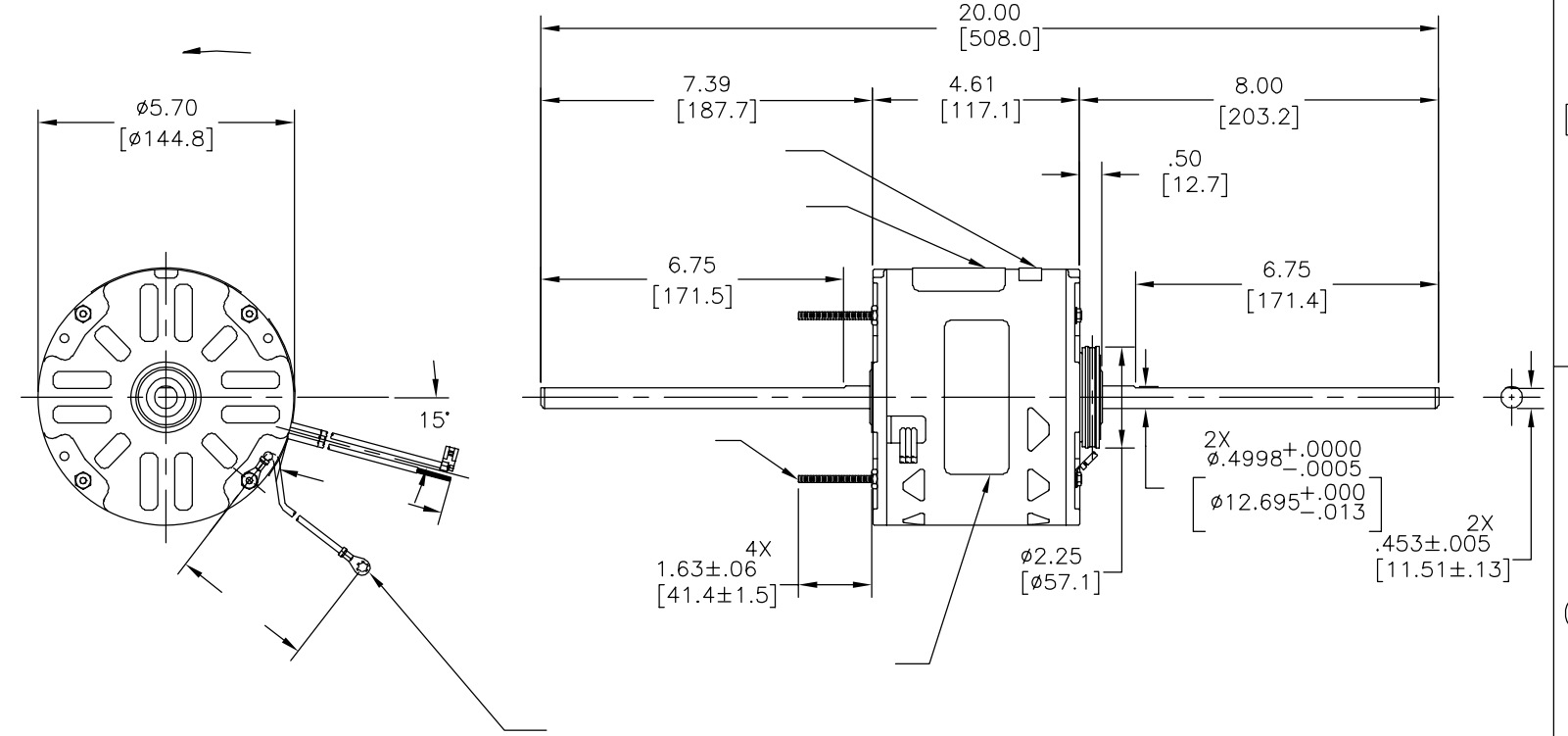
DIMENSIONES SIN TOLERANCIA SON DE REFERENCIA SOLAMENTE

DIBUJADO POR: R. RHODUS 02-25-1997
 APROBADO POR: R. BROW 04-13-1995
 TERCER ANGULO DE PROYECCION
 FECHA EDS: 11-11-2011
 REV. FORMATO: G
 CONFIDENCIAL: ESTE DIBUJO Y SU INFORMACION SON PROPIEDAD DE USO EXCLUSIVO Y CONFIDENCIAL DE REGAL-BELOIT CORPORATION. Y NO DEBERAN SER REVELADOS, DUPLICADOS, DISTRIBUIDOS O USARSE DE OTRA MANERA SIN EL CONSENTIMIENTO ESCRITO DE REGAL-BELOIT CORPORATION. -TODOS LOS DERECHOS RESERVADOS.



DESCRIPCION: MODEL-RFHP-48FR OUTLINE
 TAMAÑO: C NUMERO DE DIBUJO: 11773-030
 ESCALA: NONE HOJA: 1

版本	ECO	编制	日期	批准	日期
E	0025575	A. ARREOLA	05-01-2012	D. BALDERRAMA	05-01-2012



SEE NOTE 2

MODEL NO.: F48SJ4L3
 CUST. P/N: []
 HP: 1/3
 ROT: CCWLE
 RPM: 1625/3 SPD.
 TYPE: UF
 FRAME: 48Y
 VOLTS: 208-230
 PH: 1
 AMPS: 2.0 (2.8 MAX.)
 HZ: 60
 INS: A
 AMB: 50°C
 DUTY: AIR OVER
 CAP.: 5 MFD/370V
 ENCL: SEMI-ENCL.
 CSA LOGO
 UL LOGO
 THERMALLY PROTECTED

BROWN SEP. CAP.
 BRN/WHT
 WHITE

BLACK HI
 BLUE MED
 RED LO

614131-106

	29[737]/31[787]	
	35[889]/37[940]	.25[6.4]
	35[889]/37[940]	.25[6.4]
	35[889]/37[940]	.60[15.2]
	35[889]/37[940]	.60[15.2]
	35[889]/37[940]	.60[15.2]
	35[889]/37[940]	.60[15.2]

CUST . DISTRIBUTION SERVICES

C23010	25.2 OZ. FT.	EX11259	E46412	PRGY2	LR43341	260-0-0

形位公差
 □ 平面度
 — 直线度
 < 倾斜度
 ⊥ 垂直度
 // 平行度
 ○ 圆度
 ⊘ 圆柱度
 △ 面轮廓度
 ⊖ 线轮廓度
 ↗ 圆跳动
 ⊕ 位置度
 ⊙ 同轴度
 ≡ 对称度

ASME Y14.5M 1994

REGAL-BELOIT CORPORATION (RBC) 在个别领域为客户提供技术支持。鉴于RBC未收到任何涉及电机使用和应用环境的数据，电机的适用性由客户自己决定。

未注公差尺寸仅供参考。

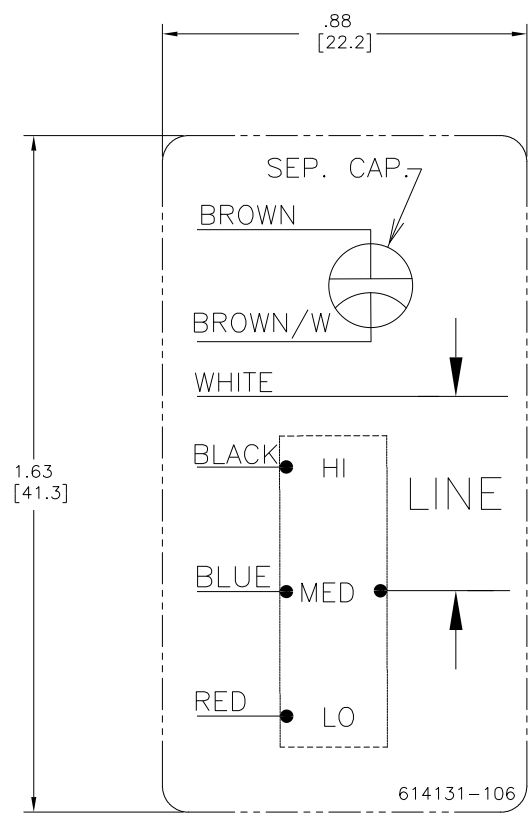
绘图: R. RHODUS 02-25-1997
 批准: R. BROW 04-13-1995
 第三角投影

图幅格式发布日期 11-11-2011
 图幅格式版本 G

机密: 本图纸及相关信息所有权归REGAL-BELOIT CORPORATION。未经REGAL-BELOIT CORPORATION书面授权，不得泄露、复制、传播或作其他用途。—版权所有

REGAL-BELOIT CORPORATION

名称: MODEL-RFHP-48FR OUTLINE
 图幅: C 图号: 11773-030
 比例: NONE 页号: 1



- NOTES:
1. FOR USE WITH 614129 OR 2513020-001 NAMEPLATE BLANKS
 2. _____ INDICATES DIMENSION LIMITS

DRAWING REVISION D	REVISION BY J. RUPERT	DATE 09-08-2022	TOLERANCES UNLESS OTHERWISE SPECIFIED DEC. INCH mm ANGLE .X ±0.1 [±2.5] ±0.5° .XX ±0.02 [±0.51] .XXX ±0.005 [±0.127] XXXX ±0.0005 [±0.0127]	DRAWN BY: PZ	Regal Beloit America, Inc.	
ECO NMR-0216370	APPROVED BY J. RUPERT	DATE 09-08-2022	REMOVE BURRS & BREAK SHARP EDGES .003/.015 [0.076/.381] X 45° CORNER FILLETS R.02 [51] MACHINED SURFACES .125/ mm 32/ INCH mm 32/ mm SHOWN IN [BRACKETS]	DATE: 04-12-2011		
ECO DESCRIPTION REVISED FOR UP ISSUE			APPROVED BY: Tiger Wong	DATE: 04-12-2011	DESCRIPTION CONN-DIAGRAM NAMEPLATE	
<small> COPYRIGHT REGAL BELOIT AMERICA, INC. ALL RIGHTS RESERVED. PROPRIETARY AND CONFIDENTIAL INFORMATION - THIS DOCUMENT IS THE PROPERTY OF REGAL BELOIT AMERICA, INC. (OWNER) AND CONTAINS OWNER'S PROPRIETARY INFORMATION. ANY REPRODUCTION OR OTHER FIRM RECEIVING IT IS DENIED. BY RECEIVING IT, TO AGREE THAT IT, AND/OR ANY PART OF IT, SHALL NOT BE DISCLOSED TO ANY PERSON, CORPORATION OR OTHER ENTITY, DUPLICATED, AND/OR USED, EXCEPT AS EXPRESSLY APPROVED IN WRITING IN ADVANCE BY OWNER. THIS DOCUMENT SHALL BE RETURNED TO OWNER UPON REQUEST. IT MAY BE SUBJECT TO CERTAIN RESTRICTIONS UNDER APPLICABLE EXPORT CONTROL LAWS AND REGULATIONS. </small>			REFERENCE	MATERIAL	PROCESS/FINISH	
			THIRD ANGLE PROJECTION	SIZE C	DWG NO 614131-106	SHEET 1