

PRODUCT INFORMATION PACKET



Model No: RA1036WB
Catalog No: RA1036WB
Fan Coil & Air Conditioner Motor, 1/3 HP, 1 Ph, 60 Hz, 208-230 V, 1075 RPM, 3 Speed, 48 Frame,
SEMI ENCLOSED



Regal and Century are trademarks of Regal Rexnord Corporation or one of its affiliated companies.
©2022 Regal Rexnord Corporation, All Rights Reserved. MC017097E





Nameplate Specifications

Output HP	1/3 Hp	Output KW	0.25 kW
Frequency	60 Hz	Voltage	208-230 V
Current	1.9 A	Speed	1075 rpm
Service Factor	1	Phase	1
Duty	Air Over	Insulation Class	B
Frame	48Y	Enclosure	Semi Enclosed
Thermal Protection	Automatic	Ambient Temperature	60 °C
UL	Recognized	CSA	Y
CE	N	Number of Speeds	3

Technical Specifications

Electrical Type	Permanent Split Capacitor	Starting Method	Across The Line
Poles	6	Rotation	Counterclockwise Lead End
Mounting	Resilient Base	Motor Orientation	Horizontal
Drive End Bearing	Sleeve	Opp Drive End Bearing	Sleeve
Frame Material	Rolled Steel	Shaft Type	Flat
Overall Length	20.11 in	Frame Length	4.13 in
Shaft Diameter	0.500 in	Shaft Extension	6.5 X.5 X9.0 in
Outline Drawing	11819-018-S01	Connection Drawing	614131-106

This is an uncontrolled document once printed or downloaded and is subject to change without notice. Date Created:11/29/2022

4

3

2

1

GENERAL INFORMATION:

SHAFT RUNOUT: .001 [.03] T.I.R. PER INCH LENGTH OF EXTENSION

END PLAY: .010 TO .063 [.25 TO 1.60]

BEARINGS: SLEEVE

MOUNTING POSITION: HORIZONTAL

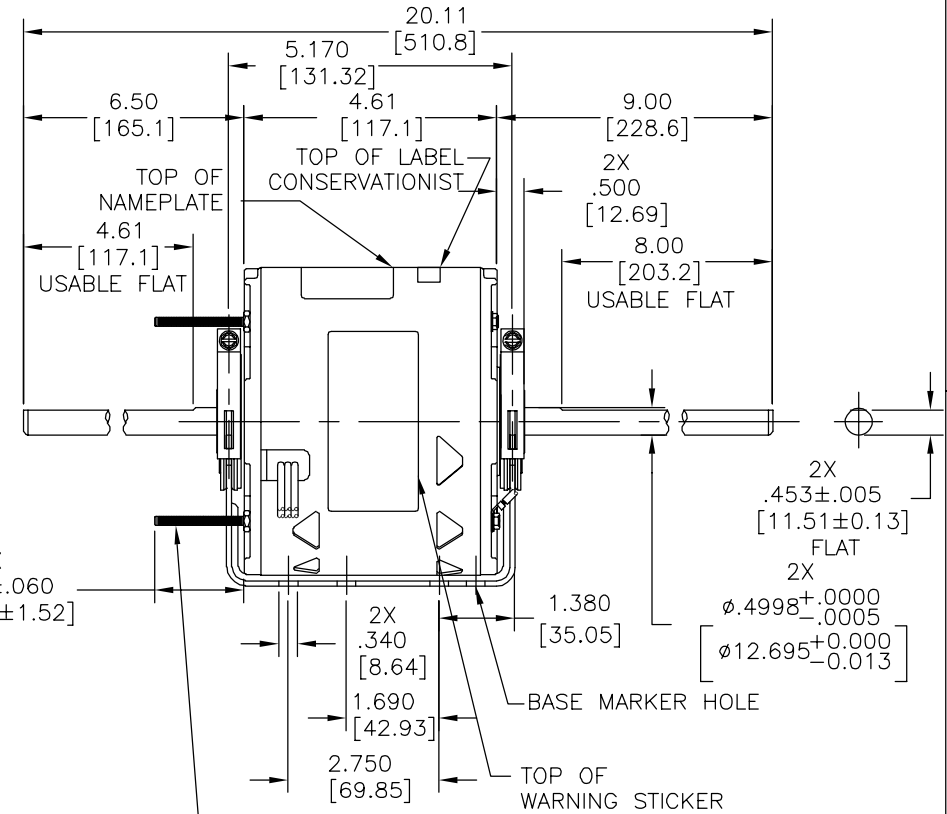
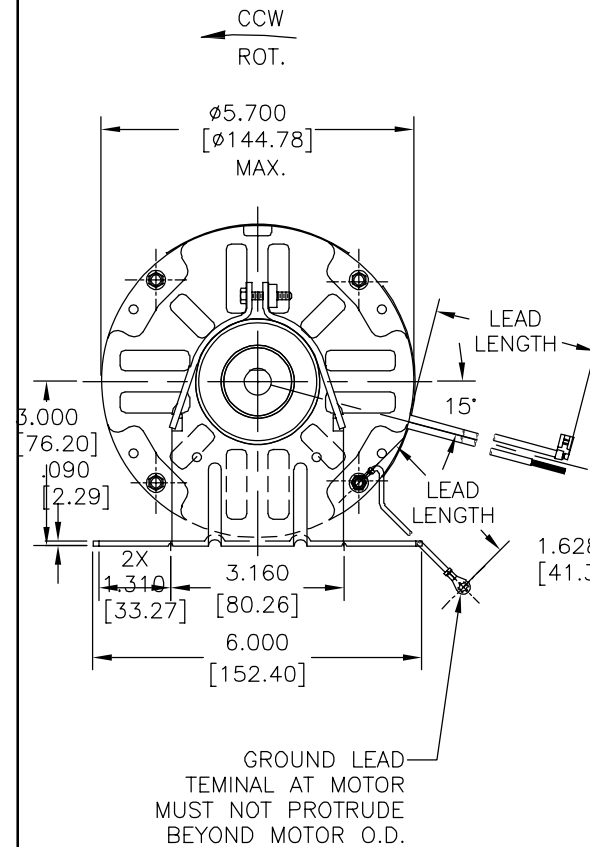
ELECTRICAL DATA:

OVERLOAD PROTECTOR: AUTOMATIC RESET (T.I. 7AM 036)

LEADS: NO. 18 GA., .06 [1.5] THK. 105°C PVC INSUL.

GROUND LEAD: NO. 18 GA., .03 [.8] THK. (GREEN) INSUL.

REV	ECO	REV BY	DATE	APPD	DATE
C	0025575	A. ARREOLA	05-01-2012	D. BALDERRAMA	05-01-2012



4X #8-32 NC-2A THD'S EXT. STUDS ON A 5.147[130.73] B.C. 90° APART.

NOTE:
1. DISTRIBUTION PART NUMBER: RA1036WB
GRAINGER PART NUMBER: 4MB17

MAIN FRAME - OLE	SEMI-ENCLOSED
END FRAME - OLE	OPEN
MAIN FRAME - LE	SEMI-ENCLOSED
END FRAME - LE	OPEN

CUST.	DISTRIBUTION SERVICES
-------	-----------------------

NAMEPLATE DATA:

MODEL: F48U67A01
CUST. P/N:
HP: 1/3
ROT: CCWLE
RPM: 1075/3 SPD.
TYPE: UF
FRAME: 48Y
VOLTS: 208-230
PH: 1
AMPS: 1.9 (2.6 MAX.)
HZ: 60
INS: B
AMB: 60 °C
DUTY: AIR OVER
CAP.: 5 MFD/370V
ENCL: SEMI-ENCL.
CSA LOGO
UL LOGO
THERMALLY PROTECTED

EXTERNAL CONNECTION DIAGRAM

614131-106

GREEN (GRD)	29.0/31.0[737/787]	#10 EYELET
BROWN	35.0/37.0[889/940]	.25[6.4] FLAG
BROWN/WHITE	35.0/37.0[889/940]	.25[6.4] FLAG
WHITE	35.0/37.0[889/940]	.60[15.2] SKIN
BLACK	35.0/37.0[889/940]	.60[15.2] SKIN
BLUE	35.0/37.0[889/940]	.60[15.2] SKIN
RED	35.0/37.0[889/940]	.60[15.2] SKIN

COLOR	LENGTH	TERMINAL OR STRIP LENGTH
LEAD DATA		
E46412	PRGY2	LR43341 260-φ-0

PERFORMANCE CURVE NO.	TORQUE @1100 RPM (25°C)	APPROVED SAMPLE
C22992	30.08 OZ. FT.	EX11254

UL COMPONENT		CSA	
FILE #	GUIDE #	FILE #	GUIDE #
E46412	PRGY2	LR43341	260-φ-0

GEOMETRIC CHARACTERISTICS & SYMBOLS

- FLATNESS
- STRAIGHTNESS
- ∠ ANGULARITY
- ⊥ PERPENDICULARITY (SQUARENESS)
- // PARALLELISM
- ROUNDNESS (CIRCULARITY)
- ⊘ CYLINDRICITY
- △ PROFILE OF ANY SURFACE
- ∧ PROFILE OF ANY LINE
- ↗ RUNOUT
- ⊕ TRUE POSITION
- ◎ CONCENTRICITY
- ≡ SYMMETRY

ASME Y14.5M 1994

REGAL-BELOIT CORPORATION (RBC) PROVIDES TECHNICAL ASSISTANCE TO OUR CUSTOMERS IN SEVERAL AREAS. SINCE RBC DOES NOT RECEIVE ALL DATA CONCERNING THE USE AND APPLICATION OF THE MOTOR, THE SUITABILITY OF THE MOTOR FOR THE APPLICATION MUST BE DETERMINED BY THE CUSTOMER.

DIMENSIONS WITHOUT TOLERANCES ARE FOR REFERENCE ONLY.

DR BY: GORDON 05-19-2004

APPD: GORDON 05-20-2004

THIRD ANGLE PROJECTION

EDS DATE 11-11-2011
FORMAT REV G

CONFIDENTIAL: THIS DRAWING AND ITS INFORMATION ARE THE EXCLUSIVE AND CONFIDENTIAL PROPERTY OF REGAL-BELOIT CORPORATION AND ARE NOT TO BE DISCLOSED, DUPLICATED, DISTRIBUTED OR OTHERWISE USED WITHOUT THE WRITTEN CONSENT OF REGAL-BELOIT CORPORATION. -ALL RIGHTS RESERVED.

REGAL-BELOIT CORPORATION

DESCRIPTION: MODEL-RFHP-48FR OUTLINE

SIZE: C DWG NO: 11819-018

SCALE: NONE SHEET: 1

4

3

2

1

REVISION:	ECO	REVISADO POR:	FECHA:	APROBADO POR:	FECHA:
C	0025575	A. ARREOLA	05-01-2012	D. BALDERRAMA	05-01-2012

INFORMACION GENERAL:

OSCILACION DE FLECHA: .001 [.03] L.T.I. LONG. DE EXTENSION POR PULGADA

JUEGO AXIAL: .010 A .063 [.25 A 1.60]

BALEROS: MANGA

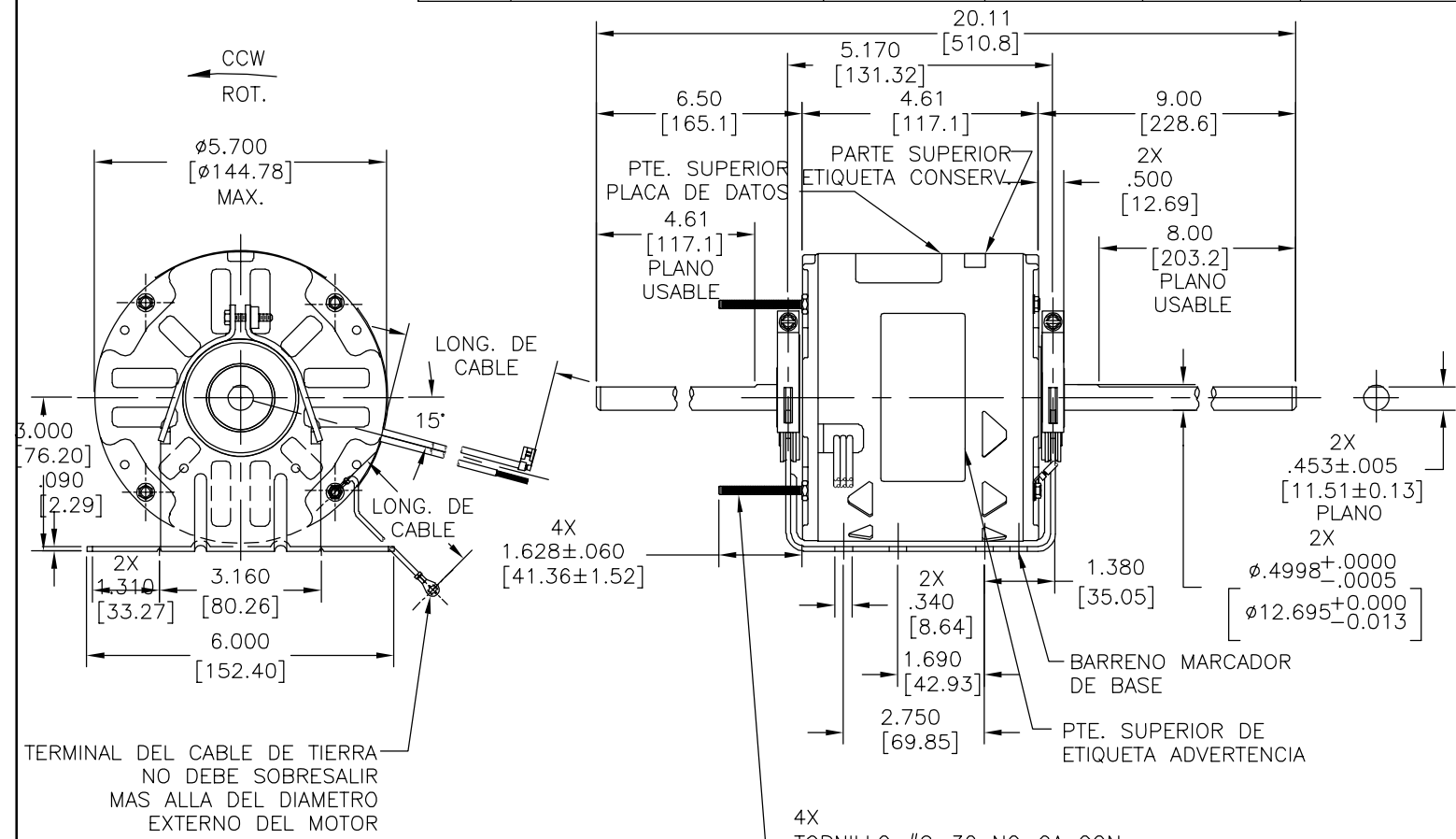
POSICION DEL MONTAJE: HORIZONTAL

INFORMACION ELECTRICA:

SOBRECARGA DEL PROTECTOR: REINICIO AUTOMATICO (T.I. 7AM 036)

CABLES: CAL. NO. 18, .06 [1.5] ESP. 105°C PVC AISLAM.

CABLE DE TIERRA: CAL. NO. 18, .03 [.8] ESP. (VERDE) AISLAM.



TERMINAL DEL CABLE DE TIERRA NO DEBE SOBRESALIR MAS ALLA DEL DIAMETRO EXTERNO DEL MOTOR

4X TORNILLO #8-32 NC-2A CON EXT. ROSCADA SOBRE UN Ø5.147[Ø130.73] ENTRE CENTROS APARTADOS A 90°

NOTA:
1. NO. DE PARTE DE DISTRIBUCION: RA1036WB
NO. DE PARTE GRAINGER: 4MB17

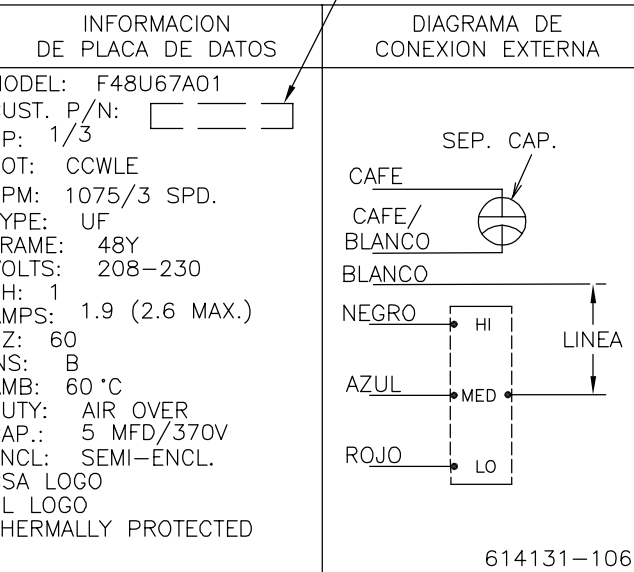
CARCAZA PPAL.- OLE	SEMI-CERRADO
TAPA FINAL - OLE	ABIERTO
CARCAZA PPAL.- LE	SEMI-CERRADO
TAPA FINAL- LE	ABIERTO
TIPO DE MOTOR	

CLIENTE	DISTRIBUTION SERVICES
---------	-----------------------

VERDE (TIERRA)	29.0/31.0[737/787]	#10 OJAL
CAFE	35.0/37.0[889/940]	.25[6.4] BANDERA
CAFE/BLANCO	35.0/37.0[889/940]	.25[6.4] BANDERA
BLANCO	35.0/37.0[889/940]	.60[15.2] DESFORRE
NEGRO	35.0/37.0[889/940]	.60[15.2] DESFORRE
AZUL	35.0/37.0[889/940]	.60[15.2] DESFORRE
ROJO	35.0/37.0[889/940]	.60[15.2] DESFORRE

COLOR	LONGITUD	TERMINAL O LONG. DE DESFORRE	CSA	
			#ARCHIVO	GUIA #
			E46412	PRGY2
			LR43341	260-Ø-0

INFORMACION DE CABLES



CURVA DE FUNCIONAM.	TORSION @1100 RPM (25°C)	MUESTRA APROBADA
C22992	30.08 OZ. FT.	EX11254

COMPONENTE UL		CSA	
#ARCHIVO	GUIA #	#ARCHIVO	GUIA #
E46412	PRGY2	LR43341	260-Ø-0

CARACTERISTICAS DE GEOMETRIA Y SIMBOLOS
 □ PLANICIDAD
 ⊥ RECTITUD
 ∠ ANGULARIDAD
 ⊥ PERPENDICULARIDAD (A ESCUADRA)
 // PARALELISMO
 ○ REDONDEZ (CIRCULARIDAD)
 ∅ CILINDRICIDAD
 △ PERFIL DE CUALQUIER SUPERFICIE
 ∇ PERFIL DE CUALQUIER LINEA
 ↗ VARIACION
 ⊕ POSICION REAL
 ⊙ CONCENTRICIDAD
 = SIMETRIA

REGAL-BELOIT CORPORATION (RBC) PROVEE ASISTENCIA TECNICA A NUESTROS CLIENTES EN VARIAS AREAS. DESDE QUE RBC NO RECIBE TODOS LOS DATOS EN RELACION AL USO Y A LA APLICACION DEL MOTOR, LA APLICACION ADECUADA DEL MOTOR DEBE SER DETERMINADA POR EL CLIENTE.
 DIMENSIONES SIN TOLERANCIA SON DE REFERENCIA SOLAMENTE

DIBUJADO POR: GORDON 05-19-2004
 APROBADO POR: GORDON 05-20-2004
 TERCER ANGULO DE PROYECCION
 FECHA EDS: 11-11-2011
 REV. FORMATO: G
 CONFIDENCIAL: ESTE DIBUJO Y SU INFORMACION SON PROPIEDAD DE USO EXCLUSIVO Y CONFIDENCIAL DE REGAL-BELOIT CORPORATION. Y NO DEBERAN SER REVELADOS, DUPLICADOS, DISTRIBUIDOS O USARSE DE OTRA MANERA SIN EL CONSENTIMIENTO ESCRITO DE REGAL-BELOIT CORPORATION. -TODOS LOS DERECHOS RESERVADOS.

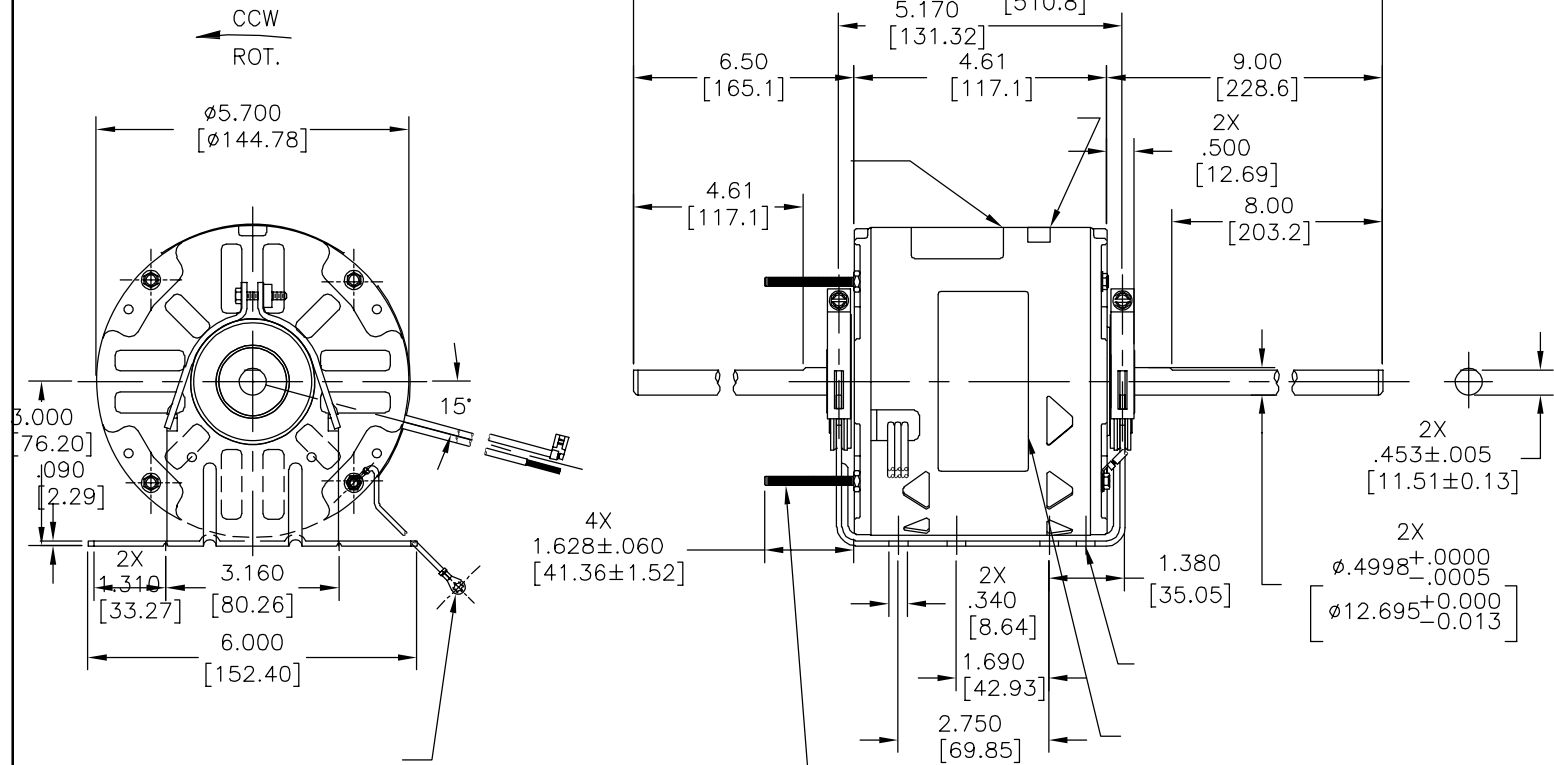
REGAL-BELOIT CORPORATION

DESCRIPCION: MODEL-RFHP-48FR OUTLINE

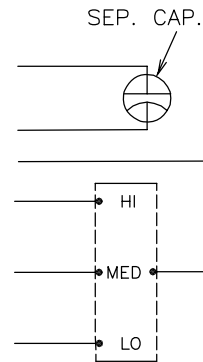
TAMAÑO: C NUMERO DE DIBUJO: 11819-018

ESCALA: NONE HOJA: 1

版本	ECO	编制	日期	批准	日期
C	0025575	A. ARREOLA	05-01-2012	D. BALDERRAMA	05-01-2012



MODEL: F48U67A01
 CUST. P/N:
 HP: 1/3
 ROT: CCWLE
 RPM: 1075/3 SPD.
 TYPE: UF
 FRAME: 48Y
 VOLTS: 208-230
 PH: 1
 AMPS: 1.9 (2.6 MAX.)
 HZ: 60
 INS: B
 AMB: 60 °C
 DUTY: AIR OVER
 CAP.: 5 MFD/370V
 ENCL: SEMI-ENCL.
 CSA LOGO
 UL LOGO
 THERMALLY PROTECTED



614131-106

	29.0/31.0[737/787]
	35.0/37.0[889/940]
	35.0/37.0[889/940]
	35.0/37.0[889/940]
	35.0/37.0[889/940]
	35.0/37.0[889/940]
	35.0/37.0[889/940]

COLOR

DISTRIBUTION SERVICES

			CSA			
C22992	30.08 OZ. FT.	EX11254	E46412	PRGY2	LR43341	260-φ-0

- 形位公差
- 平面度
- 直线度
- ∠ 倾斜度
- ⊥ 垂直度
- // 平行度
- 圆度
- ⊘ 圆柱度
- △ 面轮廓度
- ∩ 线轮廓度
- ↗ 圆跳动
- ⊕ 位置度
- ⊙ 同轴度
- ≡ 对称度

ASME Y14.5M 1994

REGAL-BELOIT CORPORATION (RBC) 在个别领域为客户提供技术支持。鉴于RBC未收到任何涉及电机使用和应用环境的数据，电机的适用性由客户自己决定。

未注公差尺寸仅供参考。

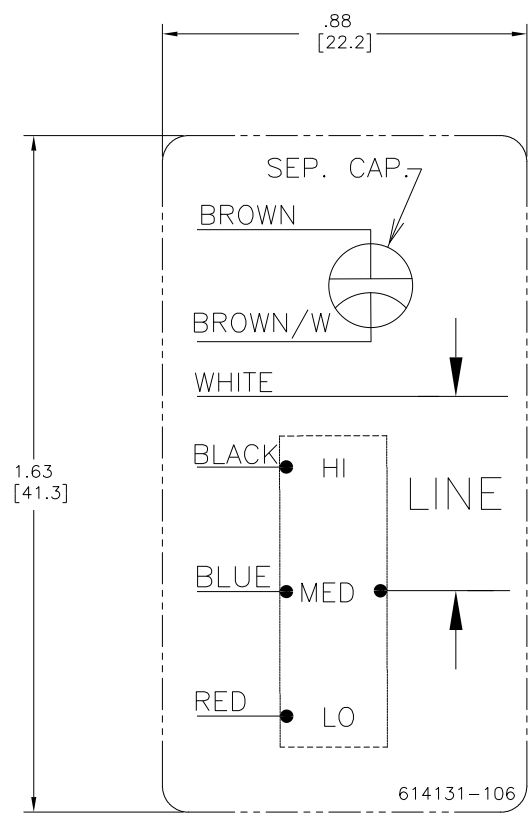
绘图: GORDON 05-19-2004
 批准: GORDON 05-20-2004
 第三角投影 图纸格式发布日期 11-11-2011
 图纸格式版本 G
 机密: 本图纸及相关信息所有权归REGAL-BELOIT CORPORATION。未经REGAL-BELOIT CORPORATION书面授权, 不得泄露、复制或作其他用途。一版权所有



名称 MODEL-RFHP-48FR OUTLINE

图幅 C 图号 11819-018

比例 NONE 页号 1



- NOTES:
1. FOR USE WITH 614129 OR 2513020-001 NAMEPLATE BLANKS
 2. _____ INDICATES DIMENSION LIMITS

DRAWING REVISION D	REVISION BY J. RUPERT	DATE 09-08-2022	TOLERANCES UNLESS OTHERWISE SPECIFIED DEC. INCH mm ANGLE .X ±0.1 [±2.5] ±0.5° .XX ±0.02 [±0.51] .XXX ±0.005 [±0.127] XXXX ±0.0005 [±0.0127]	DRAWN BY: PZ	Regal Beloit America, Inc.	
ECO NMR-0216370	APPROVED BY J. RUPERT	DATE 09-08-2022	REMOVED BURS & BREAK SHARP EDGES .003/.015 [0.076/.381] X 45° CORNER FILLETS R.02 [51] MACHINED SURFACES .125/ mm 32/ INCH mm 32/ mm SHOWN IN [BRACKETS]	DATE: 04-12-2011		
ECO DESCRIPTION REVISED FOR UP ISSUE			APPROVED BY: Tiger Wong	DATE: 04-12-2011	DESCRIPTION CONN-DIAGRAM NAMEPLATE	
<small> COPYRIGHT REGAL BELOIT AMERICA, INC. ALL RIGHTS RESERVED. PROPRIETARY AND CONFIDENTIAL INFORMATION - THIS DOCUMENT IS THE PROPERTY OF REGAL BELOIT AMERICA, INC. (OWNER) AND CONTAINS OWNER'S PROPRIETARY INFORMATION. ANY REPRODUCTION OR OTHER FIRM RECEIVING IT IS DENIED. BY RECEIVING IT, TO AGREE THAT IT, AND/OR ANY PART OF IT, SHALL NOT BE DISCLOSED TO ANY PERSON, CORPORATION OR OTHER ENTITY, DUPLICATED, AND/OR USED, EXCEPT AS EXPRESSLY APPROVED IN WRITING IN ADVANCE BY OWNER. THIS DOCUMENT SHALL BE RETURNED TO OWNER UPON REQUEST. IT MAY BE SUBJECT TO CERTAIN RESTRICTIONS UNDER APPLICABLE EXPORT CONTROL LAWS AND REGULATIONS. </small>			REMOVE BURS & BREAK SHARP EDGES .003/.015 [0.076/.381] X 45° CORNER FILLETS R.02 [51] MACHINED SURFACES .125/ mm 32/ INCH mm 32/ mm SHOWN IN [BRACKETS]	REFERENCE	MATERIAL	PROCESS/FINISH
			THIRD ANGLE PROJECTION	SIZE DWG NO C 614131-106	SHEET 1	