

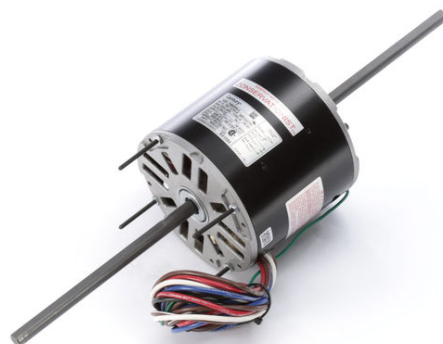
PRODUCT INFORMATION PACKET



Model No: RA1054

Catalog No: RA1054

Fan Coil & Air Conditioner Motor, 1/2 HP, 1 Ph, 60 Hz, 208-230 V, 1625 RPM, 3 Speed, 48 Frame,
SEMI ENCLOSED



Regal and Century are trademarks of Regal Rexnord Corporation or one of its affiliated companies.

©2023 Regal Rexnord Corporation, All Rights Reserved. MC017097E





Nameplate Specifications

Phase	1	Output HP	1/2 Hp
Output KW	0.37 kW	Voltage	208-230 V
Speed	1625 rpm	Service Factor	1
Frame	48Y	Enclosure	Semi Enclosed
Thermal Protection	Automatic	Ambient Temperature	40 °C
Frequency	60 Hz	Current	3.2 A
Duty	Air Over	Insulation Class	A
UL	Recognized	CSA	Y
CE	N	Number of Speeds	3

Technical Specifications

Electrical Type	Permanent Split Capacitor	Starting Method	Across The Line
Poles	4	Rotation	Counterclockwise Lead End
Mounting	Resilient Ring/Extended Studs	Motor Orientation	Horizontal
Drive End Bearing	Sleeve	Opp Drive End Bearing	Sleeve
Frame Material	Rolled Steel	Shaft Type	Flat
Overall Length	20.00 in	Frame Length	4.50 in
Shaft Diameter	0.500 in	Shaft Extension	7.6X.5X7.3 in
Outline Drawing	11773-021-S01	Connection Drawing	614131-106

This is an uncontrolled document once printed or downloaded and is subject to change without notice. Date Created:08/24/2023

4

3

2

1

REV	ECO	REV BY	DATE	APPD	DATE
F	0025575	A. ARREOLA	05-01-2012	D. BALDERRAMA	05-01-2012

GENERAL INFORMATION:

SHAFT RUNOUT: .001 [.03] T.I.R. PER INCH LENGTH OF EXTENSION

END PLAY: .010 TO .063 [.25 TO 1.60]

BEARINGS: SLEEVE

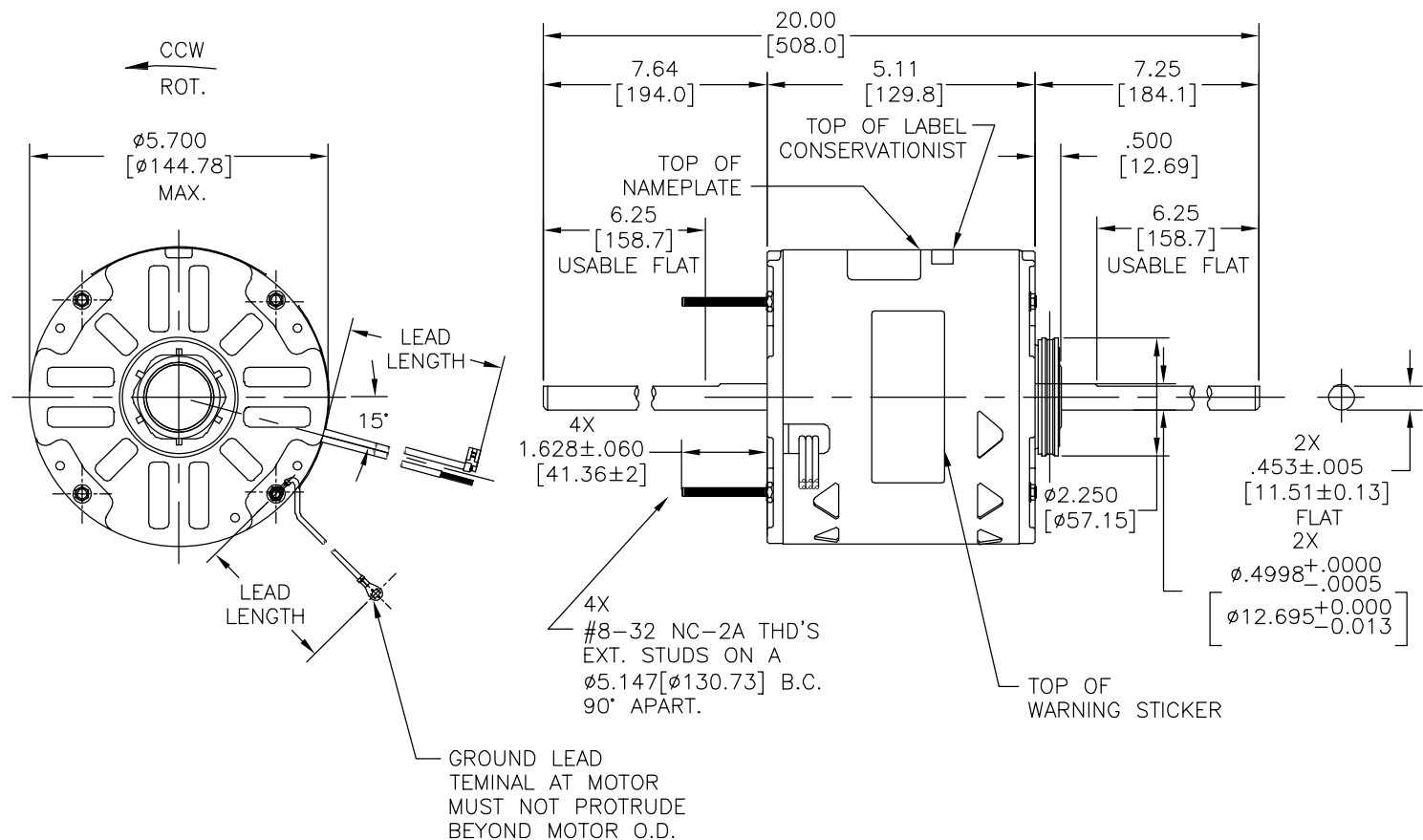
MOUNTING POSITION: HORIZONTAL

ELECTRICAL DATA:

OVERLOAD PROTECTOR: AUTOMATIC RESET (T.I. 7AM 032)

LEADS: NO. 18 GA., .06 [1.5] THK. 105°C PVC INSUL.

GROUND LEAD: NO. 18 GA., .03 [.8] THK. (GREEN) INSUL.

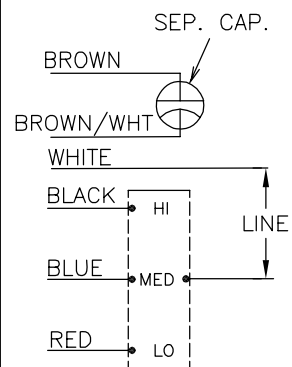


SEE NOTE 2

NAMEPLATE DATA:

MODEL: F48SN4L4
 CUST. P/N:
 HP: 1/2
 ROT: CCWLE
 RPM: 1625/3 SPD.
 TYPE: UF
 FRAME: 48Y
 VOLTS: 208-230
 PH: 1
 AMPS: 3.2 (4.2 MAX.)
 HZ: 60/50
 INS: A
 AMB: 40°C
 DUTY: AIR OVER
 CAP.: 5 MFD/370 V
 ENCL: SEMI-ENCL.
 CSA LOGO
 UL LOGO
 THERMALLY PROTECTED

EXTERNAL CONNECTION DIAGRAM



614131-106

GREEN (GRD)	29.0/31.0[737/787]	#10 EYELET
BROWN/WHITE	35.0/37.0[889/940]	.25[6.4] FLAG
BROWN	35.0/37.0[889/940]	.25[6.4] FLAG
WHITE	35.0/37.0[889/940]	.60[15.2] SKIN
BLACK	35.0/37.0[889/940]	.60[15.2] SKIN
BLUE	35.0/37.0[889/940]	.60[15.2] SKIN
RED	35.0/37.0[889/940]	.60[15.2] SKIN

NOTES:

- 615059-001 RESILIENT MOUNTING KIT TO BE PACKED WITH MOTOR
- DISTRIBUTION PART NUMBER: RA1054
GRAINGER PART NUMBER: 4MA67

MAIN FRAME - OLE	SEMI-ENCLOSED
END FRAME - OLE	OPEN
MAIN FRAME - LE	SEMI-ENCLOSED
END FRAME - LE	OPEN

CUST.	DISTRIBUTION SERVICES
-------	-----------------------

PERFORMANCE CURVE NO.	TORQUE @1625 RPM (25°C)	APPROVED SAMPLE
C23025	38.0 OZ. FT.	EX11260

UL COMPONENT		CSA	
FILE	GUIDE	FILE	GUIDE
E46412	PRGY2	LR43341	260-φ-0

LEAD DATA

GEOMETRIC CHARACTERISTICS & SYMBOLS
 □ FLATNESS
 — STRAIGHTNESS
 ∠ ANGULARITY
 ⊥ PERPENDICULARITY (SQUARENESS)
 // PARALLELISM
 ○ ROUNDNESS (CIRCULARITY)
 ∅ CYLINDRICITY
 △ PROFILE OF ANY SURFACE
 ∇ PROFILE OF ANY LINE
 ↗ RUNOUT
 ⊕ TRUE POSITION
 ⊙ CONCENTRICITY
 = SYMMETRY

REGAL-BELOIT CORPORATION (RBC) PROVIDES TECHNICAL ASSISTANCE TO OUR CUSTOMERS IN SEVERAL AREAS. SINCE RBC DOES NOT RECEIVE ALL DATA CONCERNING THE USE AND APPLICATION OF THE MOTOR, THE SUITABILITY OF THE MOTOR FOR THE APPLICATION MUST BE DETERMINED BY THE CUSTOMER.

DIMENSIONS WITHOUT TOLERANCES ARE FOR REFERENCE ONLY.

DR BY: R. RHODUS 11-16-1993
 APPD: D.CORB 11-16-1995
 THIRD ANGLE PROJECTION
 EDS DATE 11-11-2011
 FORMAT REV G
 CONFIDENTIAL: THIS DRAWING AND ITS INFORMATION ARE THE EXCLUSIVE AND CONFIDENTIAL PROPERTY OF REGAL-BELOIT CORPORATION AND ARE NOT TO BE DISCLOSED, DUPLICATED, DISTRIBUTED OR OTHERWISE USED WITHOUT THE WRITTEN CONSENT OF REGAL-BELOIT CORPORATION. -ALL RIGHTS RESERVED.



DESCRIPTION: MODEL-RFHP-48FR OUTLINE
 SIZE: C DWG NO: 11773-021
 SCALE: NONE SHEET: 1

4

3

2

1

4

3

2

1

INFORMACION GENERAL:

OSCILACION DE FLECHA: .001 [.03] L.T.I. LONG. DE EXTENSION POR PULGADA

JUEGO AXIAL: .010 A .063 [.25 A 1.60]

BALEROS: MANGA

POSICION DEL MONTAJE: HORIZONTAL

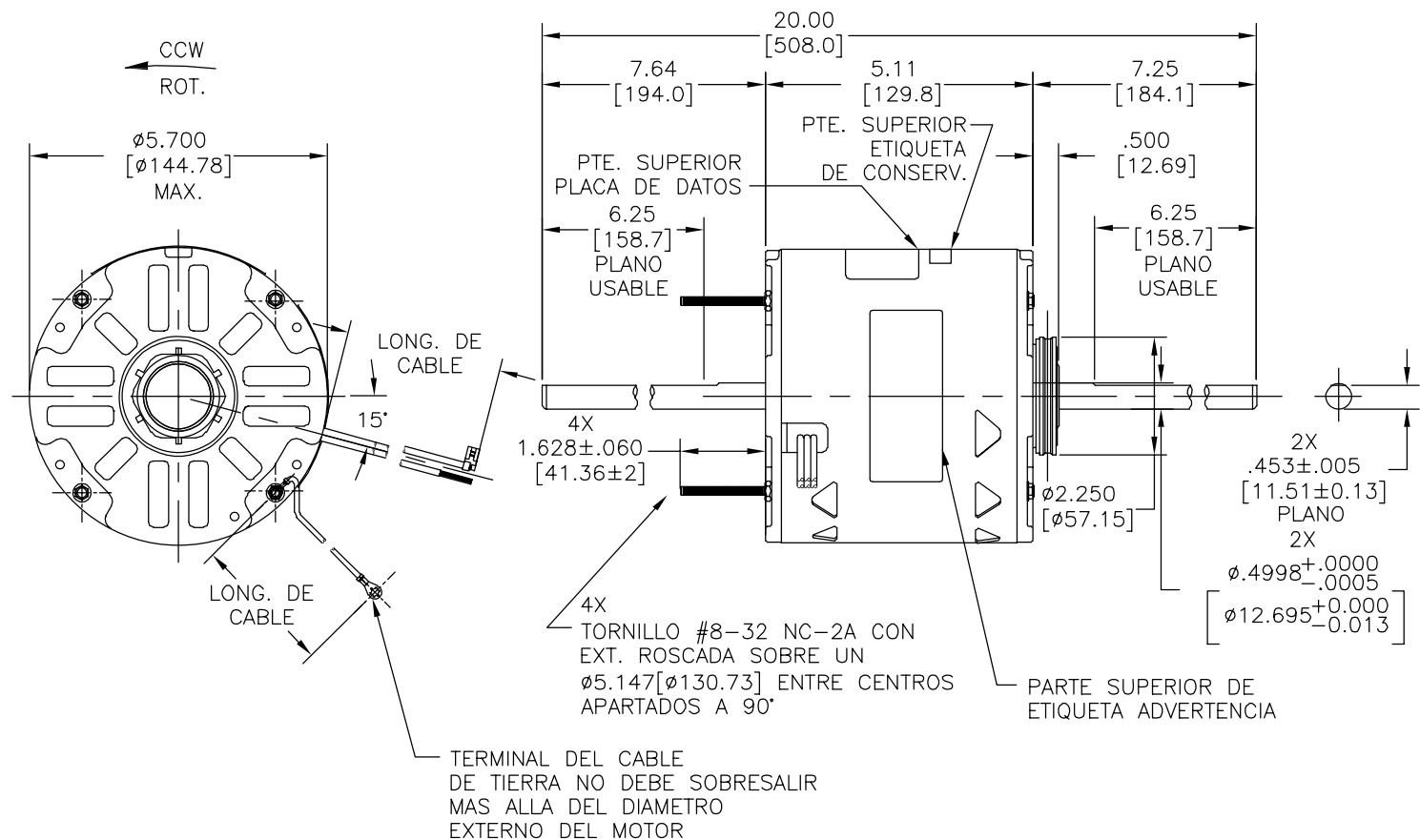
INFORMACION ELECTRICA:

SOBRECARGA DEL PROTECTOR: REINICIO AUTOMATICO (T.I. 7AM 032)

CABLES: CAL. NO. 18, .06 [1.5] ESP. 105°C PVC AISLAM.

CABLE DE TIERRA: CAL. NO. 18, .03 [.8] ESP. (VERDE) AISLAM.

REVISION:	ECO	REVISADO POR:	FECHA:	APROBADO POR:	FECHA:
F	0025575	A. ARREOLA	05-01-2012	D. BALDERRAMA	05-01-2012



TERMINAL DEL CABLE DE TIERRA NO DEBE SOBRESALIR MAS ALLA DEL DIAMETRO EXTERNO DEL MOTOR

D

D

C

C

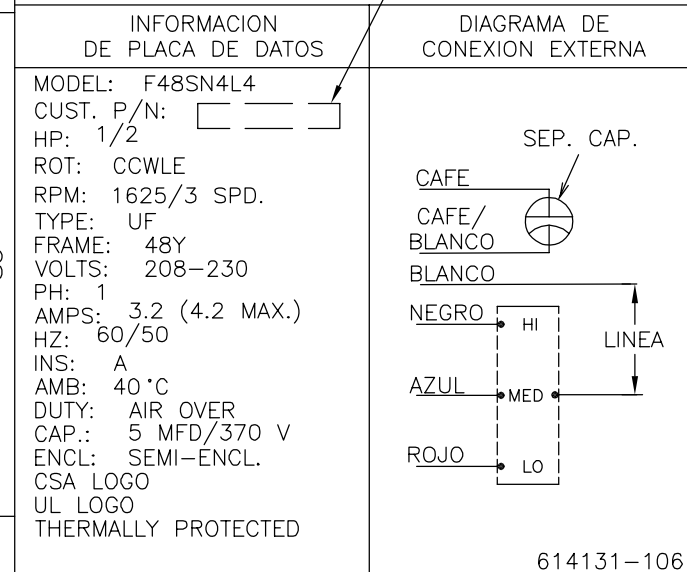
B

B

A

A

VER NOTA 2



614131-106

VERDE (TIERRA)	29.0/31.0[737/787]	#10 OJAL
CAFE/BLANCO	35.0/37.0[889/940]	.25[6.4] BANDERA
CAFE	35.0/37.0[889/940]	.25[6.4] BANDERA
BLANCO	35.0/37.0[889/940]	.60[15.2] DESFORRE
NEGRO	35.0/37.0[889/940]	.60[15.2] DESFORRE
AZUL	35.0/37.0[889/940]	.60[15.2] DESFORRE
ROJO	35.0/37.0[889/940]	.60[15.2] DESFORRE

- NOTAS:
- PAQUETE DE MONTAJE AJUSTABLE 615059-001 SERA EMPACADO CON CADA MOTOR
 - NO. DE PARTE DE DISTRIBUCION: RA1054
NO. DE PARTE GRAINGER: 4MA67

CARCAZA PPAL.- OLE	SEMI-CERRADO
TAPA FINAL - OLE	ABIERTO
CARCAZA PPAL.- LE	SEMI-CERRADO
TAPA FINAL- LE	ABIERTO
TIPO DE MOTOR	

CLIENTE DISTRIBUTION SERVICES

CURVA DE FUNCIONAM.	TORSION @1625 RPM (25°C)	MUESTRA APROBADA	COMPONENTE UL	CSA
C23025	38.0 OZ. FT.	EX11260	#ARCHIVO	GUIA #
			E46412	PRGY2 LR43341 260-φ-0

CARACTERISTICAS DE GEOMETRIA Y SIMBOLOS

- PLANICIDAD
- RECTITUD
- ∠ ANGULARIDAD
- ⊥ PERPENDICULARIDAD (A ESCUADRA)
- // PARALELISMO
- REDONDEZ (CIRCULARIDAD)
- ⊘ CILINDRICIDAD
- △ PERFIL DE CUALQUIER SUPERFICIE
- ∧ PERFIL DE CUALQUIER LINEA
- ∧ VARIACION
- ⊕ POSICION REAL
- ⊙ CONCENTRICIDAD
- = SIMETRIA

ASME Y14.5M 1994

REGAL-BELOIT CORPORATION (RBC) PROVEE ASISTENCIA TECNICA A NUESTROS CLIENTES EN VARIAS AREAS. DESDE QUE RBC NO RECIBE TODOS LOS DATOS EN RELACION AL USO Y A LA APLICACION DEL MOTOR, LA APLICACION ADECUADA DEL MOTOR DEBE SER DETERMINADA POR EL CLIENTE.

DIMENSIONES SIN TOLERANCIA SON DE REFERENCIA SOLAMENTE

DIBUJADO POR: R. RHODUS 11-16-1993

APROBADO POR: D.CORB 11-16-1995

TERCER ANGULO DE PROYECCION

FECHA EDS: 11-11-2011
REV. FORMATO: G

CONFIDENCIAL: ESTE DIBUJO Y SU INFORMACION SON PROPIEDAD DE USO EXCLUSIVO Y CONFIDENCIAL DE REGAL-BELOIT CORPORATION. Y NO DEBERAN SER REVELADOS, DUPLICADOS, DISTRIBUIDOS O USARSE DE OTRA MANERA SIN EL CONSENTIMIENTO ESCRITO DE REGAL-BELOIT CORPORATION. -TODOS LOS DERECHOS RESERVADOS.

DESCRIPCION: MODEL-RFHP-48FR OUTLINE

TAMAÑO: C NUMERO DE DIBUJO: 11773-021

ESCALA: NONE HOJA: 1

4

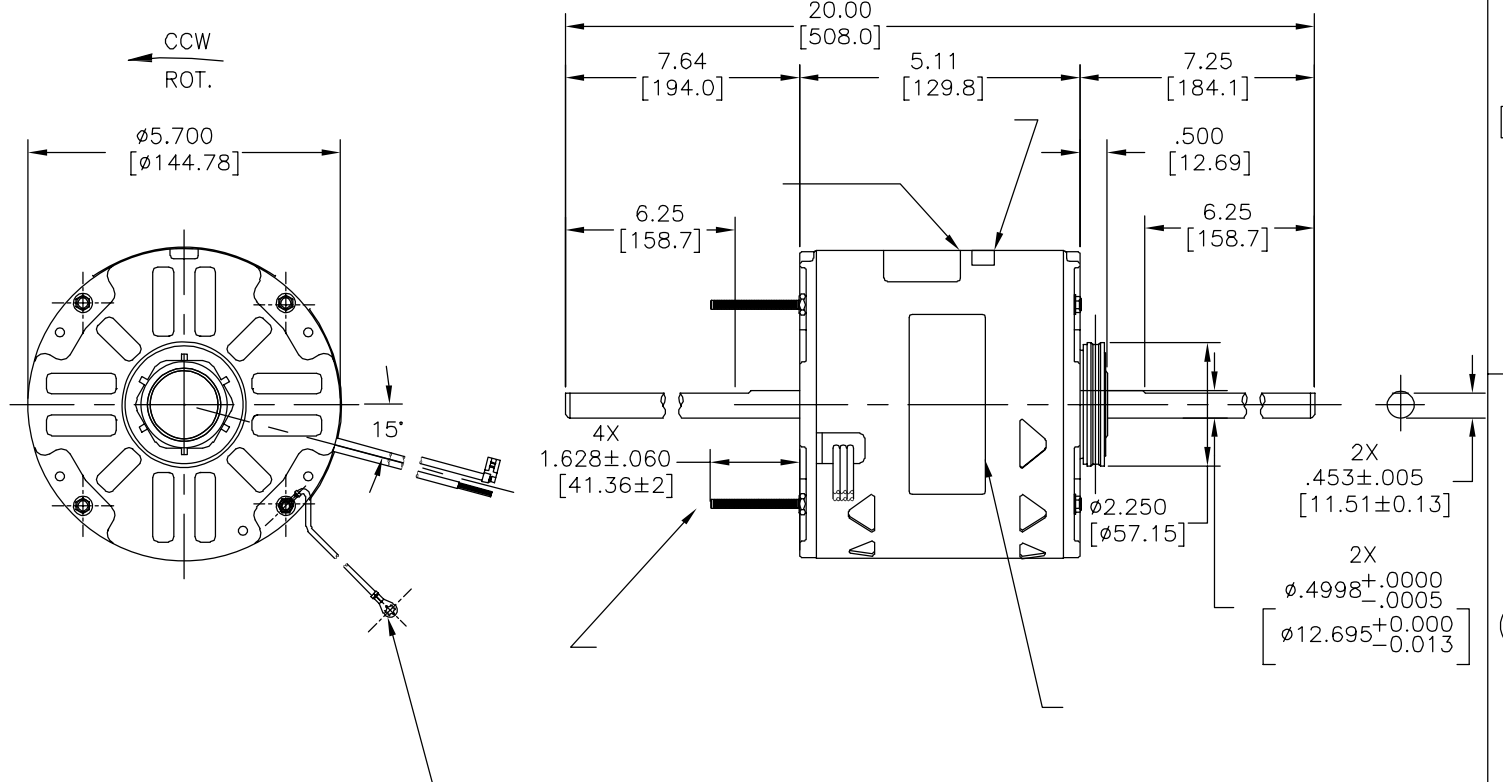
3

2

1

4 3 2 1

版本	ECO	编制	日期	批准	日期
F	0025575	A. ARREOLA	05-01-2012	D. BALDERRAMA	05-01-2012



MODEL: F48SN4L4
 CUST. P/N:
 HP: 1/2
 ROT: CCWLE
 RPM: 1625/3 SPD.
 TYPE: UF
 FRAME: 48Y
 VOLTS: 208-230
 PH: 1
 AMPS: 3.2 (4.2 MAX.)
 HZ: 60/50
 INS: A
 AMB: 40 °C
 DUTY: AIR OVER
 CAP.: 5 MFD/370 V
 ENCL: SEMI-ENCL.
 CSA LOGO
 UL LOGO
 THERMALLY PROTECTED

SEP. CAP.

HI
 MED
 LO

614131-106

	29.0/31.0[737/787]	
	35.0/37.0[889/940]	
	35.0/37.0[889/940]	
	35.0/37.0[889/940]	
	35.0/37.0[889/940]	
	35.0/37.0[889/940]	
	35.0/37.0[889/940]	

DISTRIBUTION SERVICES

			CSA			
C23025	38.0 OZ. FT.	EX11260	E46412	PRGY2	LR43341	260-φ-0

形位公差
 □ 平面度
 — 直线度
 < 倾斜度
 ⊥ 垂直度
 // 平行度
 ○ 圆度
 ⊙ 圆柱度
 △ 面轮廓度
 ∩ 线轮廓度
 ↗ 圆跳动
 ⊕ 位置度
 ⊗ 同轴度
 ≡ 对称度

ASME Y14.5M 1994

REGAL-BELOIT CORPORATION (RBC) 在个别领域为客户提供技术支持。鉴于RBC未收到任何涉及电机使用和应用环境的数据，电机的适用性由客户自己决定。

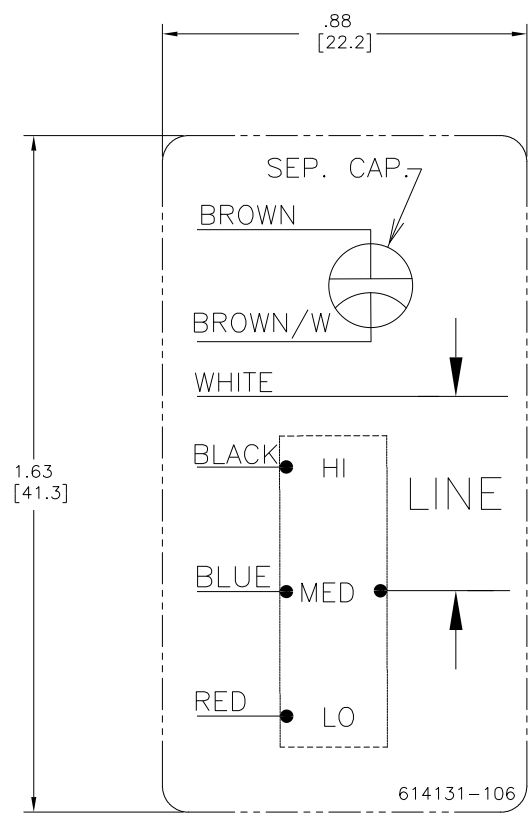
未注公差尺寸仅供参考。

绘图: R. RHODUS 11-16-1993
 批准: D. CORB 11-16-1995
 第三角投影 图纸格式发布日期 11-11-2011
 图纸格式版本 G
 机密: 本图纸及相关信息所有权归REGAL-BELOIT CORPORATION。未经REGAL-BELOIT CORPORATION书面授权, 不得泄露、复制、传播或作其他用途。—版权所有

REGAL-BELOIT CORPORATION

名称: MODEL-RFHP-48FR OUTLINE
 图幅: C 图号: 11773-021
 比例: NONE 页号: 1

4 3 2 1



- NOTES:
1. FOR USE WITH 614129 OR 2513020-001 NAMEPLATE BLANKS
 2. _____ INDICATES DIMENSION LIMITS

DRAWING REVISION D	REVISION BY J. RUPERT	DATE 09-08-2022	TOLERANCES UNLESS OTHERWISE SPECIFIED	DRAWN BY: PZ	Regal Beloit America, Inc.	
ECO NMR-0216370	APPROVED BY J. RUPERT	DATE 09-08-2022	DEC. INCH mm ANGLE .X ±0.1 [±2.5] ±0.5° .XX ±0.02 [±0.51] .XXX ±0.005 [±0.127] XXXX ±0.0005 [±0.0127]	DATE: 04-12-2011		
ECO DESCRIPTION REVISED FOR UP ISSUE			REMOVE BURRS & BREAK SHARP EDGES .003/.015 [0.076/.381] X 45° CORNER FILLETS R.02 [51] MACHINED SURFACES .125/ mm	APPROVED BY: Tiger Wong	DESCRIPTION CONN-DIAGRAM NAMEPLATE	
<small> COPYRIGHT REGAL BELOIT AMERICA, INC. ALL RIGHTS RESERVED. PROPRIETARY AND CONFIDENTIAL INFORMATION - THIS DOCUMENT IS THE PROPERTY OF REGAL BELOIT AMERICA, INC. (OWNER) AND CONTAINS OWNER'S PROPRIETARY INFORMATION. ANY REPRODUCTION OR OTHER FIRM RECEIVING IT IS DENIED. BY RECEIVING IT, TO AGREE THAT IT, AND/OR ANY PART OF IT, SHALL NOT BE DISCLOSED TO ANY PERSON, CORPORATION OR OTHER ENTITY, DUPLICATED, AND/OR USED, EXCEPT AS EXPRESSLY APPROVED IN WRITING IN ADVANCE BY OWNER. THIS DOCUMENT SHALL BE RETURNED TO OWNER UPON REQUEST. IT MAY BE SUBJECT TO CERTAIN RESTRICTIONS UNDER APPLICABLE EXPORT CONTROL LAWS AND REGULATIONS. </small>			DATE: 04-12-2011	REFERENCE	MATERIAL	PROCESS/FINISH
			THIRD ANGLE PROJECTION	SIZE DWG NO C 614131-106	SHEET 1	