

PRODUCT INFORMATION PACKET



Model No: RA1056WB
Catalog No: RA1056WB
Fan Coil & Air Conditioner Motor, 1/2 HP, 1 Ph, 60 Hz, 208-230 V, 1075 RPM, 3 Speed, 48 Frame,
SEMI ENCL



Regal and Century are trademarks of Regal Rexnord Corporation or one of its affiliated companies.
©2025 Regal Rexnord Corporation, All Rights Reserved. MC017097E





Nameplate Specifications

Phase	1	Output HP	1/2 Hp
Output KW	0.37 kW	Voltage	208-230 V
Speed	1075 rpm	Service Factor	1.0
Frame	48Y	Enclosure	Semi Enclosed
Thermal Protection	Automatic	Efficiency	68 %
Ambient Temperature	60 °C	Frequency	60 Hz
Current	2.7 A	Duty	Air Over
Insulation Class	B	UL	Recognized
CSA	Y	CE	N
Number of Speeds	3		

Technical Specifications

Electrical Type	Permanent Split Capacitor	Starting Method	Across The Line
Poles	6	Rotation	Counterclockwise Lead End
Mounting	Resilient Base	Motor Orientation	Horizontal
Drive End Bearing	Sleeve	Opp Drive End Bearing	Sleeve
Frame Material	Rolled Steel	Shaft Type	Flat
Overall Length	21.74 in	Frame Length	4.50 in
Shaft Diameter	0.500 in	Shaft Extension	8.6X.5X8.0 in
Outline Drawing	11819-017	Connection Drawing	614131-106

This is an uncontrolled document once printed or downloaded and is subject to change without notice. Date Created:02/10/2025

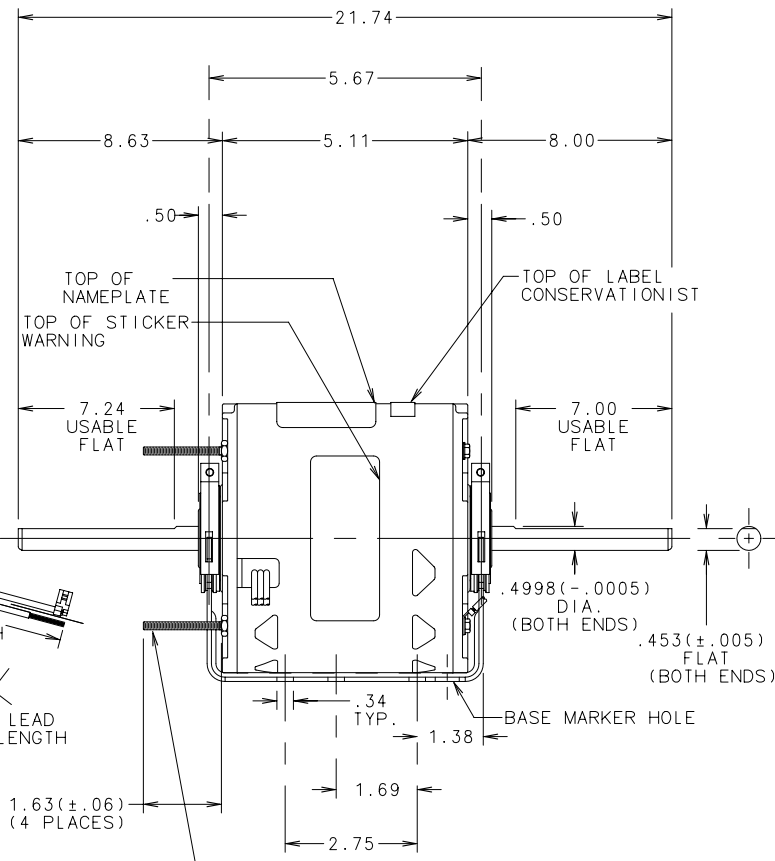
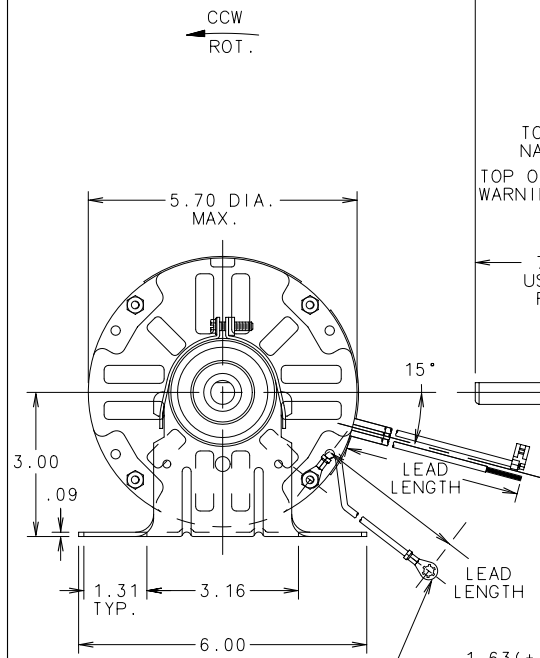
Uncontrolled Copy

GENERAL INFORMATION:

SHAFT RUNOUT: .001 T.I.R. PER INCH LENGTH OF EXTENSION.
 END PLAY: .010 TO .063
 BEARINGS: SLEEVE
 MOUNTING POSITION: HORIZONTAL

ELECTRICAL DATA:

OVERLOAD PROTECTOR: AUTOMATIC RESET (T.I. 7AM 036)
 LEADS: NO. 18 GA., .06 THK. 105°C PVC INSUL.
 GROUND LEAD: NO. 18 GA., .03 THK., (GREEN) INSUL.



GROUND LEAD (TERMINAL AT MOTOR MUST NOT PROTRUDE BEYOND MOTOR O.D.)

#8-32 NC-2A THD'S EXT. STUDS ON A 5.147 DIA. B.C., 90° APART

NAMEPLATE DATA:	EXTERNAL CONNECTION DIAGRAM
MODEL NO.: F48U66A01 CUST. P/N: RA1056WB HP: 1/2 ROT: CCWLE RPM: 1075/3 SPD. TYPE: UF FRAME: 48Y VOLTS: 208-230 PH: 1 AMPS: 2.7 (3.4 MAX.) HZ: 60 INS: B AMB: 60 °C DUTY: AIR OVER CAP.: 7.5 MFD/370 V ENCL: SEMI-ENCL. CSA LOGO UL LOGO THERMALLY PROTECTED	
614131-106	

COLOR	LENGTH	TERMINAL OR STRIP LENGTH
GREEN (GRD)	29/31	#10 EYELET
BROWN	35/37	.25 FLAG
BROWN/WHITE	35/37	.25 FLAG
WHITE	35/37	.50 SKIN
BLACK	35/37	.50 SKIN
BLUE	35/37	.50 SKIN
RED	35/37	.50 SKIN

LEAD DATA	ENCLOSURE
MAIN FR.-OLE	SEMI-ENCL.
END FR.-OLE	OPEN
MAIN FR.-LE	SEMI-ENCL.
END FR.-LE	OPEN

CUST.	DIST. SVCS.
-------	-------------

PERFORMANCE CURVE NO.	TORQUE @1100 RPM (25°C)	APPROVED SAMPLE	UL COMPONENT FILE#	GUIDE#	CSA FILE#	GUIDE#
C23004	42.5 OZ. FT.	EX11257	E46412	PRGY2	LR43341	260-0-0

DATE	CHANGED FROM	APPROVED ENG DRF	NOTICE	DATE	CHANGED FROM	APPROVED ENG DRF	NOTICE
H				A	-	-	-
J				B			
K				C			
L				D			
M				E			
N				F			
P				G			

A.O. SMITH PROVIDES TECHNICAL ASSISTANCE TO OUR CUSTOMERS IN SEVERAL AREAS. SINCE A.O. SMITH DOES NOT RECEIVE ALL DATA CONCERNING THE USE AND APPLICATION OF THE MOTOR, THE SUITABILITY OF THE MOTOR FOR THE APPLICATION MUST BE DETERMINED BY THE CUSTOMER.

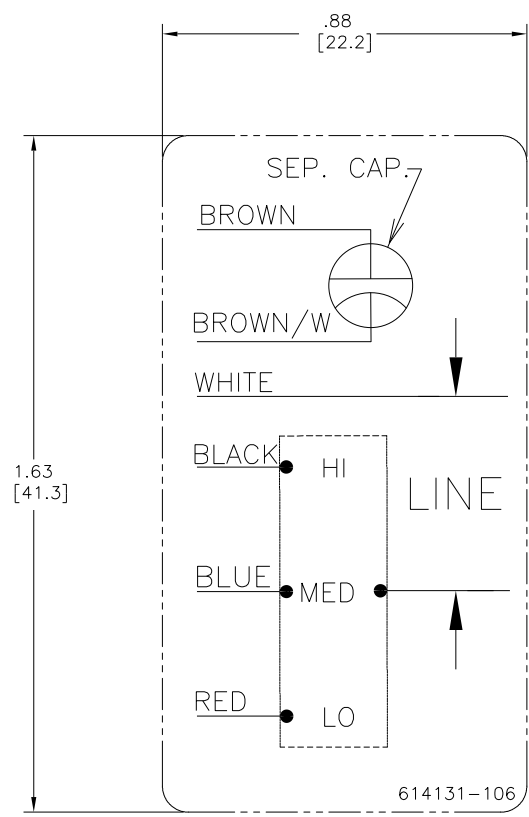
DIMENSIONS WITHOUT TOLERANCES ARE FOR REF. ONLY

CONFIDENTIAL: THIS DRAWING AND ITS INFORMATION ARE THE EXCLUSIVE AND CONFIDENTIAL PROPERTY OF A.O. SMITH CORP. AND ARE NOT TO BE DISCLOSED, DUPLICATED, DISTRIBUTED OR OTHERWISE USED WITHOUT THE WRITTEN CONSENT OF A.O. SMITH CORP. - ALL RIGHTS RESERVED

MATERIAL -
 PROCESS -

DRAWN GORDON 05/19/04
 APPROVED GORDON 05/20/04
 REFERENCE -
 APPLICATION F48U66A01
 USER/FILE PSCS/MOTOUT

		A DIVISION OF A.O. SMITH CORPORATION 	
DESCRIPTION			
OUTLINE MOTOR			
SIZE		PART NUMBER	11819-017
SCALE	NONE	NOTICE	0442348
SHEET	1		



- NOTES:
1. FOR USE WITH 614129 OR 2513020-001 NAMEPLATE BLANKS
 2. _____ INDICATES DIMENSION LIMITS

DRAWING REVISION D	REVISION BY J. RUPERT	DATE 09-08-2022	TOLERANCES UNLESS OTHERWISE SPECIFIED DEC. INCH mm ANGLE .X ±0.1 [±2.5] ±0.5° .XX ±0.02 [±0.51] .XXX ±0.005 [±0.127] XXXX ±0.0005 [±0.0127]	DRAWN BY: PZ	Regal Beloit America, Inc.	
ECO NMR-0216370	APPROVED BY J. RUPERT	DATE 09-08-2022	REMOVE BURRS & BREAK SHARP EDGES .003/.015 [0.076/.381] X 45° CORNER FILLETS R.02 [51] MACHINED SURFACES .125/ mm 32/ INCH mm 32/ mm SHOWN IN [BRACKETS]	DATE: 04-12-2011		
ECO DESCRIPTION REVISED FOR UP ISSUE			THIRD ANGLE PROJECTION	APPROVED BY: Tiger Wong	DESCRIPTION CONN-DIAGRAM NAMEPLATE	
<small> COPYRIGHT REGAL BELOIT AMERICA, INC. ALL RIGHTS RESERVED. PROPRIETARY AND CONFIDENTIAL INFORMATION - THIS DOCUMENT IS THE PROPERTY OF REGAL BELOIT AMERICA, INC. (OWNER) AND CONTAINS OWNER'S PROPRIETARY INFORMATION. ANY REPRODUCTION OR OTHER FIRM RECEIVING IT IS DENIED. BY RECEIVING IT, TO AGREE THAT IT, AND/OR ANY PART OF IT, SHALL NOT BE DISCLOSED TO ANY PERSON, CORPORATION OR OTHER ENTITY, DUPLICATED, AND/OR USED, EXCEPT AS EXPRESSLY APPROVED IN WRITING IN ADVANCE BY OWNER. THIS DOCUMENT SHALL BE RETURNED TO OWNER UPON REQUEST. IT MAY BE SUBJECT TO CERTAIN RESTRICTIONS UNDER APPLICABLE EXPORT CONTROL LAWS AND REGULATIONS. </small>			DATE: 04-12-2011	REFERENCE	MATERIAL	PROCESS/FINISH
			SIZE DWG NO C 614131-106	THIRD ANGLE PROJECTION	SHEET 1	