

PRODUCT INFORMATION PACKET



Model No: RAL1026A
Catalog No: RAL1026A
Fan Coil & Air Conditioner Motor, 1/4 HP, 1 Ph, 60 Hz, 115 V, 1075 RPM, 3 Speed, 48 Frame,
SEMI ENCLOSED



Regal and Century are trademarks of Regal Rexnord Corporation or one of its affiliated companies.
©2024 Regal Rexnord Corporation, All Rights Reserved. MC017097E





Nameplate Specifications

Phase	1	Output HP	1/4 Hp
Output KW	0.19 kW	Voltage	115 V
Speed	1075 rpm	Service Factor	1
Frame	48Y	Enclosure	Semi Enclosed
Thermal Protection	Automatic	Ambient Temperature	40 °C
Frequency	60 Hz	Current	5.0 A
Duty	Air Over	Insulation Class	A
UL	Recognized	CSA	Y
CE	N	Number of Speeds	3

Technical Specifications

Electrical Type	Permanent Split Capacitor	Starting Method	Across The Line
Poles	6	Rotation	Counterclockwise Lead End
Mounting	Resilient Ring/Extended Studs	Motor Orientation	Horizontal
Drive End Bearing	Sleeve	Opp Drive End Bearing	Sleeve
Frame Material	Rolled Steel	Shaft Type	Flat
Overall Length	24.00 in	Frame Length	3.63 in
Shaft Diameter	0.500 in	Shaft Extension	9.88 x .5 x 9.88 in
Outline Drawing	RAL1026A-S01	Connection Drawing	614131-106

This is an uncontrolled document once printed or downloaded and is subject to change without notice. Date Created:11/27/2024

GENERAL INFORMATION:

SHAFT RUNOUT: .001 [.025] T.I.R. PER INCH LENGTH OF

BEARINGS: BALL

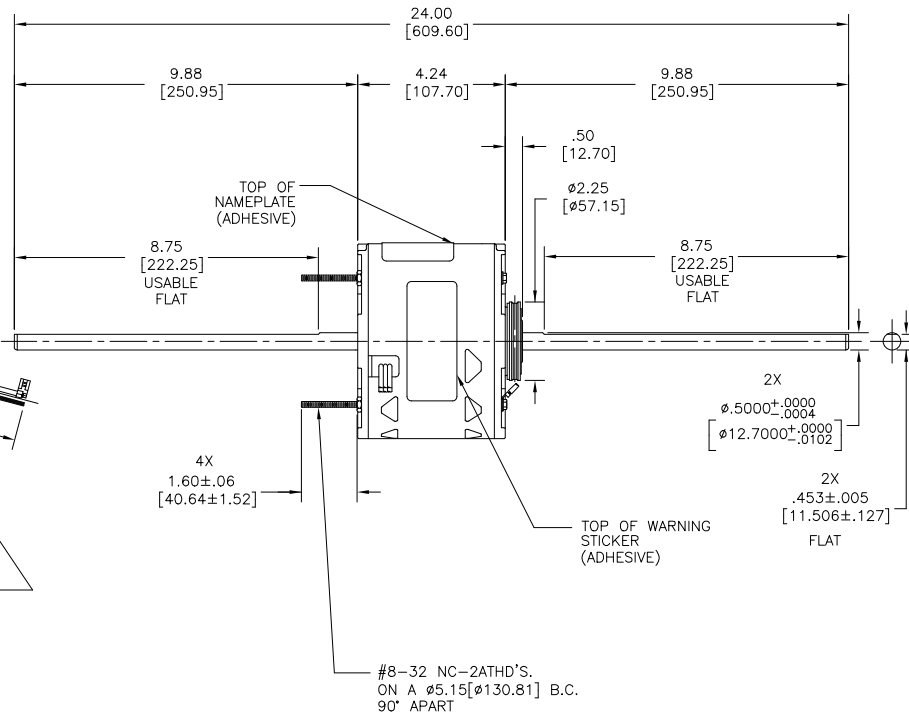
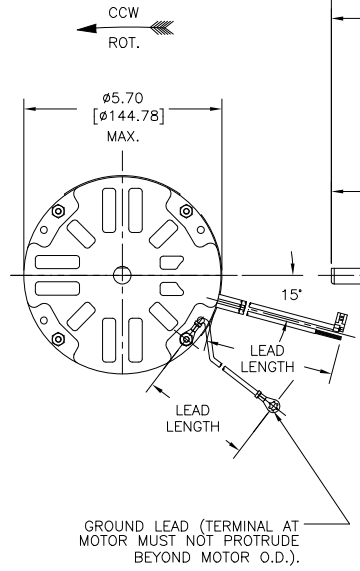
MOUNTING POSITION: HORIZONTAL

ELECTRICAL DATA:

OVERLOAD PROTECTOR: AUTOMATIC RESET (SENSATA 7AM 032)

LEADS: NO. 18 GA., .06 [1.52] THK., 105°C INSUL.

GROUND LEAD: NO. 18 GA., .03 [.76] THK. GREEN INSUL.



NOTE:
615059-001 RESILIENT MOUNTING KIT TO BE PACKED WITH MOTOR.

GREEN (GRD)	37/39 [940/991]	#10 EYELET
BROWN/WHITE	35/37 [889/940]	.25 [6.35] FLAG
BROWN	35/37 [889/940]	.25 [6.35] FLAG
WHITE	35/37 [889/940]	.60 [15.24] SKIN
BLACK	35/37 [889/940]	.60 [15.24] SKIN
BLUE	35/37 [889/940]	.60 [15.24] SKIN
RED	35/37 [889/940]	.60 [15.24] SKIN
COLOR	LENGTH	TERMINAL OR STRIP LENGTH

REGAL-BELOIT CORPORATION (RBC) PROVIDES TECHNICAL ASSISTANCE TO OUR CUSTOMERS IN SEVERAL AREAS. SINCE RBC DOES NOT RECEIVE ALL DATA CONCERNING THE USE AND APPLICATION OF THE MOTOR, THE SUITABILITY OF THE MOTOR FOR THE APPLICATION MUST BE DETERMINED BY THE CUSTOMER.

DIMENSIONS WITHOUT TOLERANCES ARE FOR REFERENCE ONLY.

MAIN FRAME - OLE	SEMI-ENCL
END FRAME - OLE	OPEN
MAIN FRAME - LE	SEMI-ENCL
END FRAME - LE	OPEN

CUSTOMER	DISTRIBUTION SERVICE
----------	----------------------

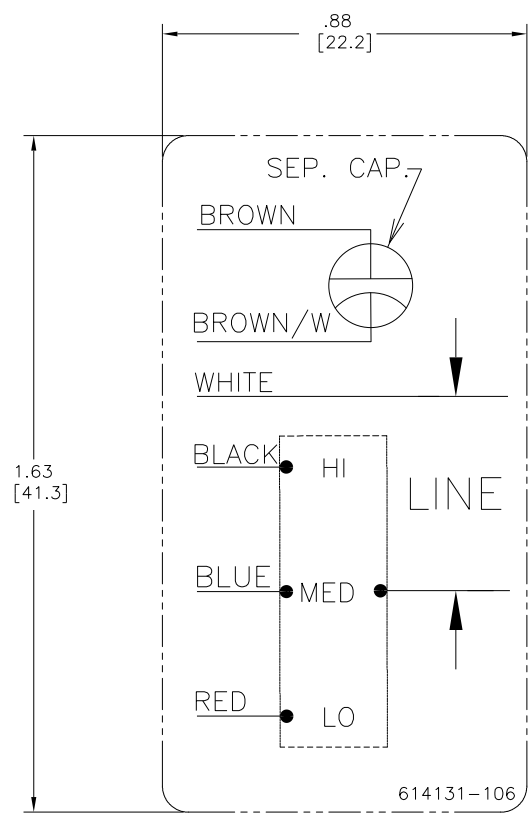
NAMEPLATE DATA:	EXTERNAL CONNECTION DIAGRAM
MODEL NO.: F48AH17A01 CUST. P/N: RAL1026A HP: 1/4 ROT.: CCWLE RPM: 1075/3 SPD TYPE: UF FRAME: 48Y VOLTS: 115 PH: 1 AMPS: 5.0 HZ: 60 INS.: A AMB.: 40° C DUTY: AIR OVER CAP.: 5 MFD/370V ENCL: SEMI ENCL UL LOGO CSA LOGO THERMALLY PROTECTED	<p>SEP. CAP.</p> <p>BROWN</p> <p>BRN/WHT</p> <p>WHITE</p> <p>BLACK HI</p> <p>BLUE MED</p> <p>RED LO</p> <p>LINE</p>

614131-106

PERFORMANCE CURVE NO.	TORQUE @ 1075 RPM (25°C)	APPROVED SAMPLE	UL COMPONENT		CSA	
			FILE #	CCN #	FILE #	CLASS #
C23749	25.0 OZ. FT.	EX11277-2	E46412	PRGY2	LR43341	4211-01

DRAWING REVISION	REVISION BY	DATE
EA	SURYA	11/11/2024
ECO	APPROVED BY	DATE
ECR-0238477	KEP	11/11/2024
ECO DESCRIPTION		
REMOVED CONSERVATION LABEL AS PER ECR		
<small> COPYRIGHT REGAL-BELOIT AMERICA, INC. ALL RIGHTS RESERVED. PROPRIETARY AND CONFIDENTIAL INFORMATION - THIS DOCUMENT IS THE PROPERTY OF REGAL-BELOIT AMERICA, INC. "BORROWED" AND COPIED OWNERS' PROPRIETARY INFORMATION, ANY PERSON, CORPORATION OR OTHER FIRM RECEIVING IT IS DEEMED BY RECEIVING IT, TO AGREE THAT IT, AND/OR ANY PART OF IT, SHALL NOT BE DISCLOSED TO ANY PERSON, CORPORATION OR OTHER ENTITY, DUPLICATED, AND/OR USED, EXCEPT AS EXPRESSLY APPROVED IN WRITING IN ADVANCE BY OWNER. THIS DOCUMENT SHALL BE RETURNED TO OWNER UPON REQUEST. IT MAY BE SUBJECT TO CERTAIN RESTRICTIONS UNDER APPLICABLE EXPORT CONTROL LAWS AND REGULATIONS. </small>		

DRAWN BY: C.ZHOU	Regal Beloit America, Inc.	
DATE: 12-17-2015	DESCRIPTION: MODEL-RFHP--48FR OUTLINE	
APPROVED BY: DJJ	MATERIAL: -	PROCESS/FINISH: -
DATE: 12-17-2015	SIZE: C	DWG NO: RAL1026A
REFERENCE:	THIRD ANGLE PROJECTION	SHEET 1



NOTES:

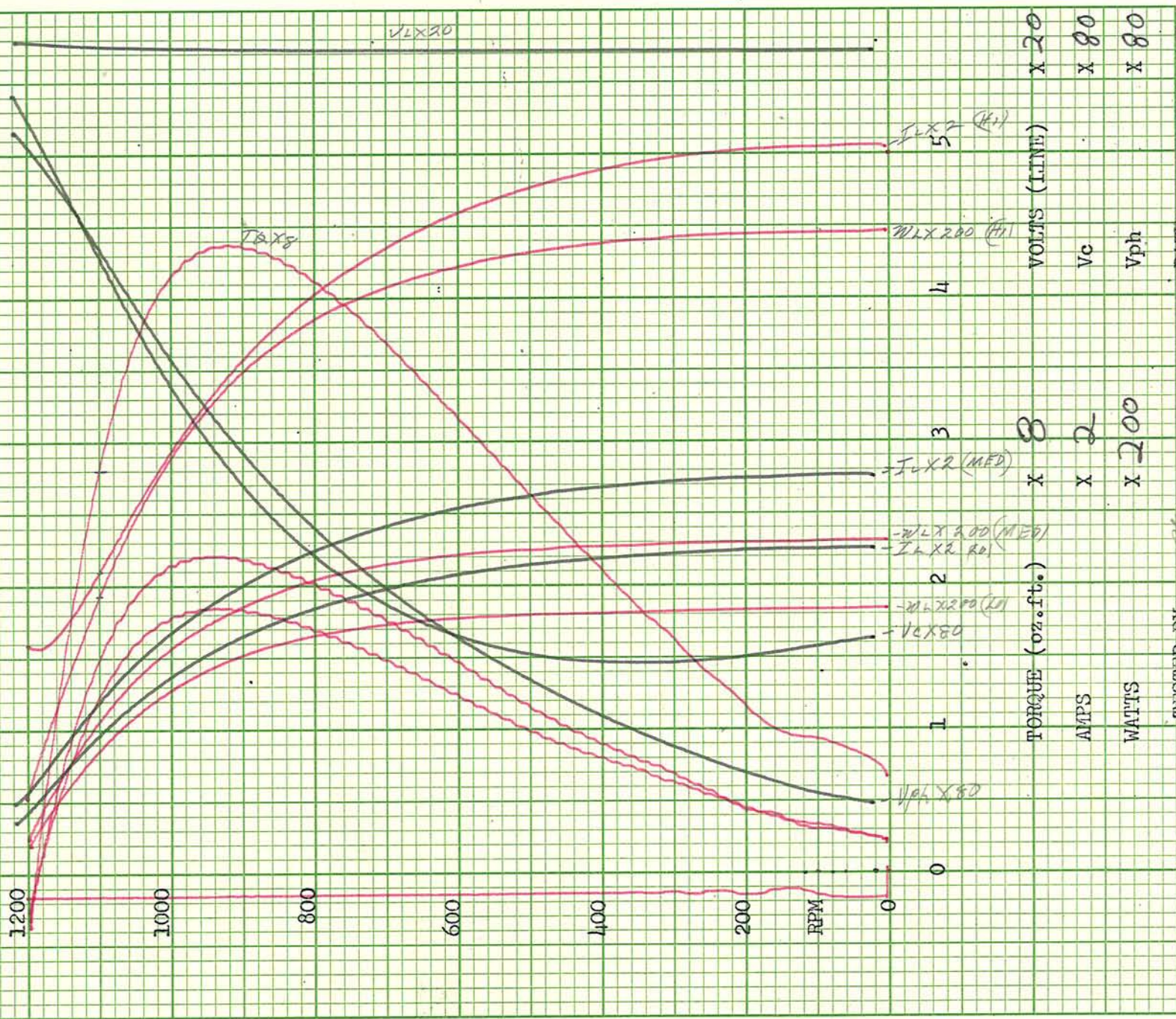
- 1. FOR USE WITH 614129 OR 2513020-001 NAMEPLATE BLANKS
- 2. _____ INDICATES DIMENSION LIMITS

DRAWING REVISION D	REVISION BY J. RUPERT	DATE 09-08-2022	TOLERANCES UNLESS OTHERWISE SPECIFIED DEC. INCH mm ANGLE .X ±0.1 [±2.5] ±0.5° .XX ±0.02 [±0.51] .XXX ±0.005 [±0.127] XXXX ±0.0005 [±0.0127]	DRAWN BY: PZ	Regal Beloit America, Inc.	
ECO NMR-0216370	APPROVED BY J. RUPERT	DATE 09-08-2022	REMOVED BURRS & BREAK SHARP EDGES .003/.015 [0.076/.381] X 45° CORNER FILLETS R.02 [51] MACHINED SURFACES .125/ mm ✓ INCH mm ✓ mm SHOWN IN [BRACKETS]	DATE: 04-12-2011		
ECO DESCRIPTION REVISED FOR UP ISSUE			DATE: 04-12-2011	APPROVED BY: Tiger Wong	DESCRIPTION CONN-DIAGRAM NAMEPLATE	
<small> COPYRIGHT REGAL BELOIT AMERICA, INC. ALL RIGHTS RESERVED. PROPRIETARY AND CONFIDENTIAL INFORMATION - THIS DOCUMENT IS THE PROPERTY OF REGAL BELOIT AMERICA, INC. (OWNER) AND CONTAINS OWNER'S PROPRIETARY INFORMATION. ANY REPRODUCTION OR OTHER FIRM RECEIVING IT IS DENIED. BY RECEIVING IT, TO AGREE THAT IT, AND/OR ANY PART OF IT, SHALL NOT BE DISCLOSED TO ANY PERSON, CORPORATION OR OTHER ENTITY, DUPLICATED, AND/OR USED, EXCEPT AS EXPRESSLY APPROVED IN WRITING IN ADVANCE BY OWNER. THIS DOCUMENT SHALL BE RETURNED TO OWNER UPON REQUEST. IT MAY BE SUBJECT TO CERTAIN RESTRICTIONS UNDER APPLICABLE EXPORT CONTROL LAWS AND REGULATIONS. </small>			REFERENCE	MATERIAL	PROCESS/FINISH	
			THIRD ANGLE PROJECTION	SIZE C	DWG NO 614131-106	SHEET 1

C23749

A. O. SMITH CORP. - ELECTRIC MOTOR DIVISION C 23749
 FRAME 48
 TYPE UF
 HP 1/4
 PHASE 1
 VOLTS 115
 RPM 1075
 3 SPEED
 MODEL NO. F48SAGL2B1
 F48SAGL2B1
 F48SAGMBCB1
 HZ 60/50 Roit CCW/E
 CAP 510 MFD

Tested @ 115v 60 Hz



TESTED BY: [Signature]

DATE: 11-14-84 AH

X27741



Specification & Rating Report

Item Number: **RAL1026A**

Specification Number: **1**

Model Number: **F48AH17A01**

Sample Number:

Carton Label Model
Number:

Customer Specification
Number:

Customer Model
Number:

Catalog Number: **RAL1026A**

Agency Type:

CE: **N**

CE Number:

CSA: **Y**

CSA Number: **NO**

UL: **Y**

UL Number: **NO**

UL Explosion Proof Rating:

Cubic Feet Per Minute:

F2 Assembly:

UPC Model Number:

UPC Catalog Number: **786674071873**

Nameplate Drive
Bearing Type:

Label Drive Bearing **BALL**
Type:

Nameplate Opposite
Drive Bearing Type:

Label Opposite Drive **BALL**
Bearing Type:

Capacitor:

Capacitor Included: **N**

Capacitor Rating MFD: **5**

Capacitor Rating VAC: **370**

Control Code:

Design Status:

DC Design Number:

Features:

Form Factor:

Connection Diagram:

Installation Diagram:

Lubrication Label
Diagram:

Warning Label
Diagram:

Outline Diagram: **RAL1026A-S01**

Outline Graphic: **21A**

Ambient Temperature: **40**

Insulation Class: **A**



Specification & Rating Report

Protector: AUTOMATIC Nameplate Overload: IP Code: Nameplate Enclosure: SEMI ENCL Frame Length: 3.63 Frame Diameter: Frame Size: 48Y Frame Material: ROLLED STEEL Operator Instruction Manual: Nameplate Mounting: Base Height: Ring Diameter: Nameplate: Nameplate Location L Format: Brake: Layer Quantity: Phase: 1 DC Pole: Poles: 6 Speeds: 3 Duty: AIR OVER Shaft Diameter: 1/2 Shaft Extension: 9.88 x .5 x 9.88 Shaft Material: Shaft Type: FLAT Motor Type: UF Motor Use: Nameplate 1: Nameplate 2: Nameplate Text 1:	Thermal Protection: Label Overload: Label Enclosure: SEMI ENCL Frame Length UOM: Frame Diameter UOM: End Frame Material: Label Mounting: STUD/RESILIENT RING Base Height UOM: RingDiameterUOM: Carton Label: Tachometer: Pallet Quantity: CurrentType: Shaft Diameter UOM: Shaft Extension UOM: Rotation: CCWLE
--	---



Specification & Rating Report

Nameplate Text 2:

Nameplate Text 3:

Nameplate Text 4:

Label Text 1:

PERMANENT

SPLIT

CAPACITOR

Label Text 2:

Label Text 3:

Label Text 4:

Brand Line:

Vendor Line:

Motor Weight:

Motor Weight UOM:

Shipping Weight:

Shipping Weight UOM:

Armature Field
Winding:

Core Length:

Core Length UOM:

Winding Code:

Winding Specification:

Nameplate Only
Instructions:

Nameplate & Label
Instructions:

Label Only
Instructions:

Specification & Rating Report



Rating Number: 1

Horsepower: **1/4**

Volts: **115**

Hertz: **60**

Field Current:

Revolutions Per Minute: **1075/3 SPEED**

Service Factor: **1.0**

Service Factor Amps:

NEMA Code:

NEMA Design:

Customer Nameplate Number:

Kilowatts:

Amps: **5.0**

Maximum Amps:

Armature Current:

Power Factor:

Service Factor Volts:

NEMA Nominal Efficiency:

NEMA Guaranteed Efficiency: