

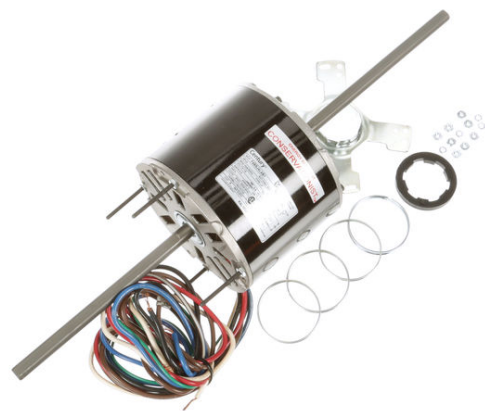
PRODUCT INFORMATION PACKET



Model No: RAL1034

Catalog No: RAL1034

Fan Coil & Air Conditioner Motor, 1/3 HP, 1 Ph, 60 Hz, 115 V, 1625 RPM, 3 Speed, 48 Frame,
SEMI ENCL



Regal and Century are trademarks of Regal Rexnord Corporation or one of its affiliated companies.

©2023 Regal Rexnord Corporation, All Rights Reserved. MC017097E





Nameplate Specifications

Phase	1	Output HP	1/3 Hp
Output KW	0.25 kW	Voltage	115 V
Speed	1625 rpm	Service Factor	1
Frame	48Y	Enclosure	Semi Enclosed
Thermal Protection	Automatic	Efficiency	65 %
Ambient Temperature	40 °C	Frequency	60 Hz
Current	4.0 A	Duty	Air Over
Insulation Class	A	UL	Recognized
CSA	Y	CE	N
Number of Speeds	3		

Technical Specifications

Electrical Type	Permanent Split Capacitor	Starting Method	Across The Line
Poles	4	Rotation	Counterclockwise Lead End
Mounting	Resilient Ring/Extended Studs	Motor Orientation	Horizontal
Drive End Bearing	Ball	Opp Drive End Bearing	Ball
Frame Material	Rolled Steel	Shaft Type	Flat
Overall Length	20.00 in	Frame Length	4.00 in
Shaft Diameter	0.500 in	Shaft Extension	7.4 X.5 X8.0 in
Outline Drawing	11773-018-S01	Connection Drawing	614131-106

This is an uncontrolled document once printed or downloaded and is subject to change without notice. Date Created:08/24/2023

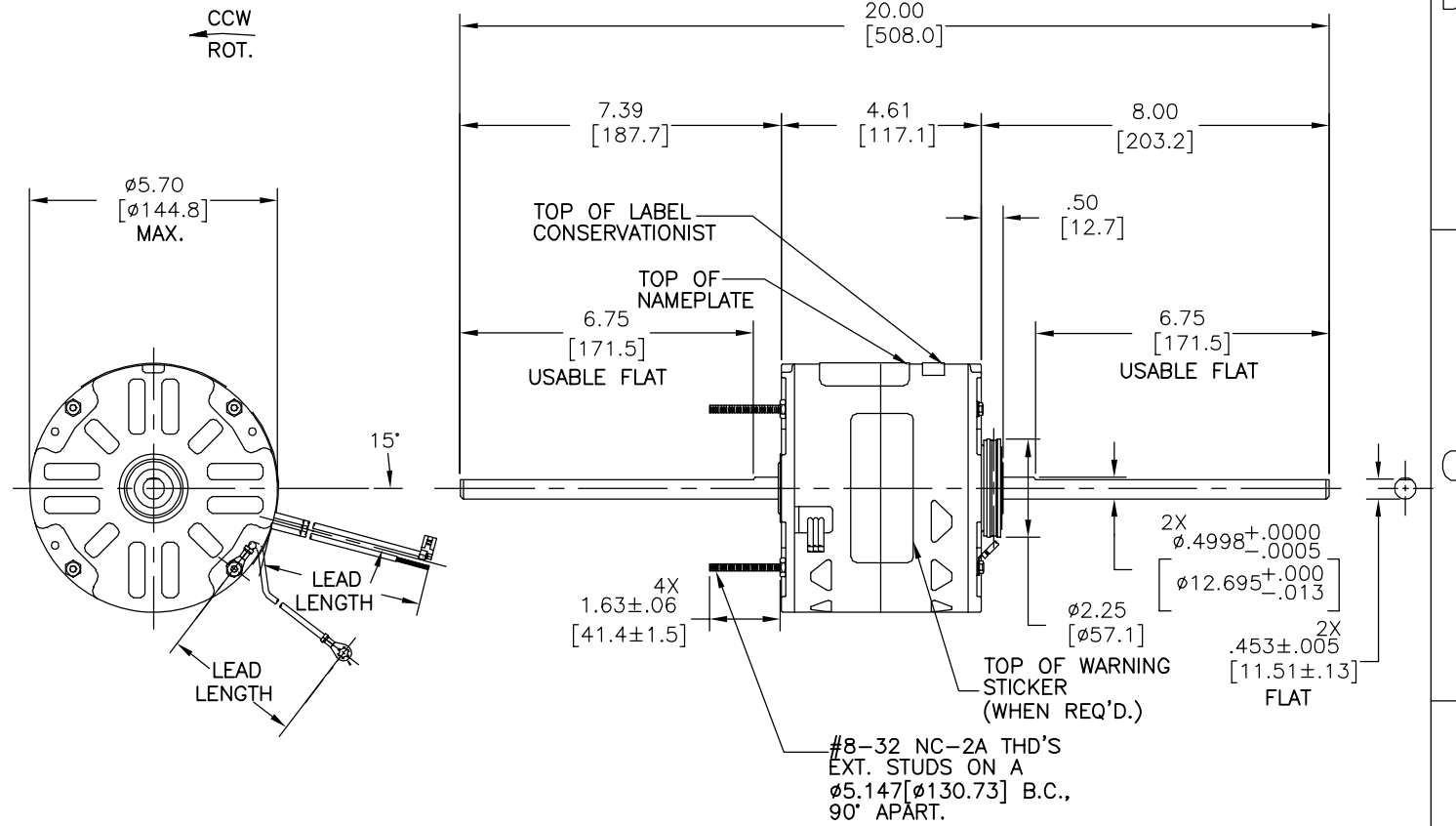
REV	ECO	REV BY	DATE	APPD	DATE
D	0025578	F.NAVARRO	05-03-2012	R.RASCON	05-03-2012

GENERAL INFORMATION:

SHAFT RUNOUT: .001 [.03]T.I.R. PER INCH LENGTH OF EXTENSION
 END PLAY: .010[.25] TO .063[1.60]
 BEARINGS: SLEEVE
 MOUNTING POSITION: HORIZONTAL

ELECTRICAL DATA:

OVERLOAD PROTECTOR: AUTOMATIC RESET
 (T.I. 7AM 032)
 LEADS: NO. 18 GA., .06 [1.5] THK. 105°C PVC INSUL.
 GROUND LEAD: NO. 18 GA., .03 [.8] THK. (GREEN) INSUL.



COLOR	LENGTH	TERMINAL OR STRIP LENGTH
GREEN (GROUND)	29/31 [737/787]	#10 EYELET
BROWN/WHITE	35/37 [889/940]	.25 [6.4] FLAG
BROWN	35/37 [889/940]	.25 [6.4] FLAG
WHITE	35/37 [889/940]	.60[15.2] SKIN
BLACK	35/37 [889/940]	.60[15.2] SKIN
BLUE	35/37 [889/940]	.60[15.2] SKIN
RED	35/37 [889/940]	.60[15.2] SKIN

- NOTE:
 1. 615059-001 RESILENT MOUNTING KIT TO BE PACKED WITH MOTOR
 2. DISTRIBUTION PART NUMBER: RAL1034
 GRAINGER PART NUMBER: 4MB13

MAIN FR. - OLE	SEMI-ENCLOSED
END FR. - OLE	OPEN
MAIN FR. - LE	SEMI-ENCLOSED
END FR. - LE	OPEN

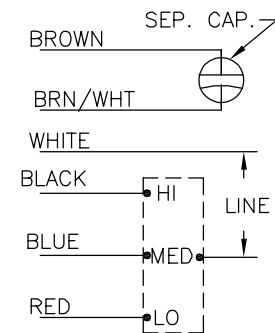
CUST.	DISTRIBUTION SERVICE
-------	----------------------

NAMEPLATE DATA:

MODEL NO.: F48SJ4L4B1
 CUST. P/N: []
 HP: 1/3
 ROT: CCWLE
 RPM: 1625/3 SPD.
 TYPE: UF
 FRAME: 48Y
 VOLTS: 115
 PH: 1
 AMPS: 4.0 (5.6 MAX.)
 HZ: 60/50
 INS: A
 AMB: 40C
 DUTY: AIR OVER
 CAP.: 5 MFD/370V
 ENCL: SEMI-ENCL.
 CSA LOGO
 UL LOGO
 THERMALLY PROTECTED

SEE NOTE 2

EXTERNAL CONNECTION DIAGRAM



PERFORMANCE CURVE NO.	TORQUE @1625 RPM (25°C)	APPROVED SAMPLE	UL COMPONENT		CSA	
			FILE #	GUIDE #	FILE #	GUIDE #
C23764	26.0 OZ. FT.	EX11273-2	E46412	PRGY2	LR43341	260-Ø-0

- GEOMETRIC CHARACTERISTICS & SYMBOLS**
- FLATNESS
 - STRAIGHTNESS
 - ∠ ANGULARITY
 - ⊥ PERPENDICULARITY (SQUARENESS)
 - ∥ PARALLELISM
 - ROUNDNESS (CIRCULARITY)
 - ⊘ CYLINDRICITY
 - △ PROFILE OF ANY SURFACE
 - ∩ PROFILE OF ANY LINE
 - ↗ RUNOUT
 - ⊕ TRUE POSITION
 - ⊙ CONCENTRICITY
 - ≡ SYMMETRY
- ASME Y14.5M 1994

REGAL-BELOIT CORPORATION (RBC) PROVIDES TECHNICAL ASSISTANCE TO OUR CUSTOMERS IN SEVERAL AREAS. SINCE RBC DOES NOT RECEIVE ALL DATA CONCERNING THE USE AND APPLICATION OF THE MOTOR, THE SUITABILITY OF THE MOTOR FOR THE APPLICATION MUST BE DETERMINED BY THE CUSTOMER.
 DIMENSIONS WITHOUT TOLERANCES ARE FOR REFERENCE ONLY.

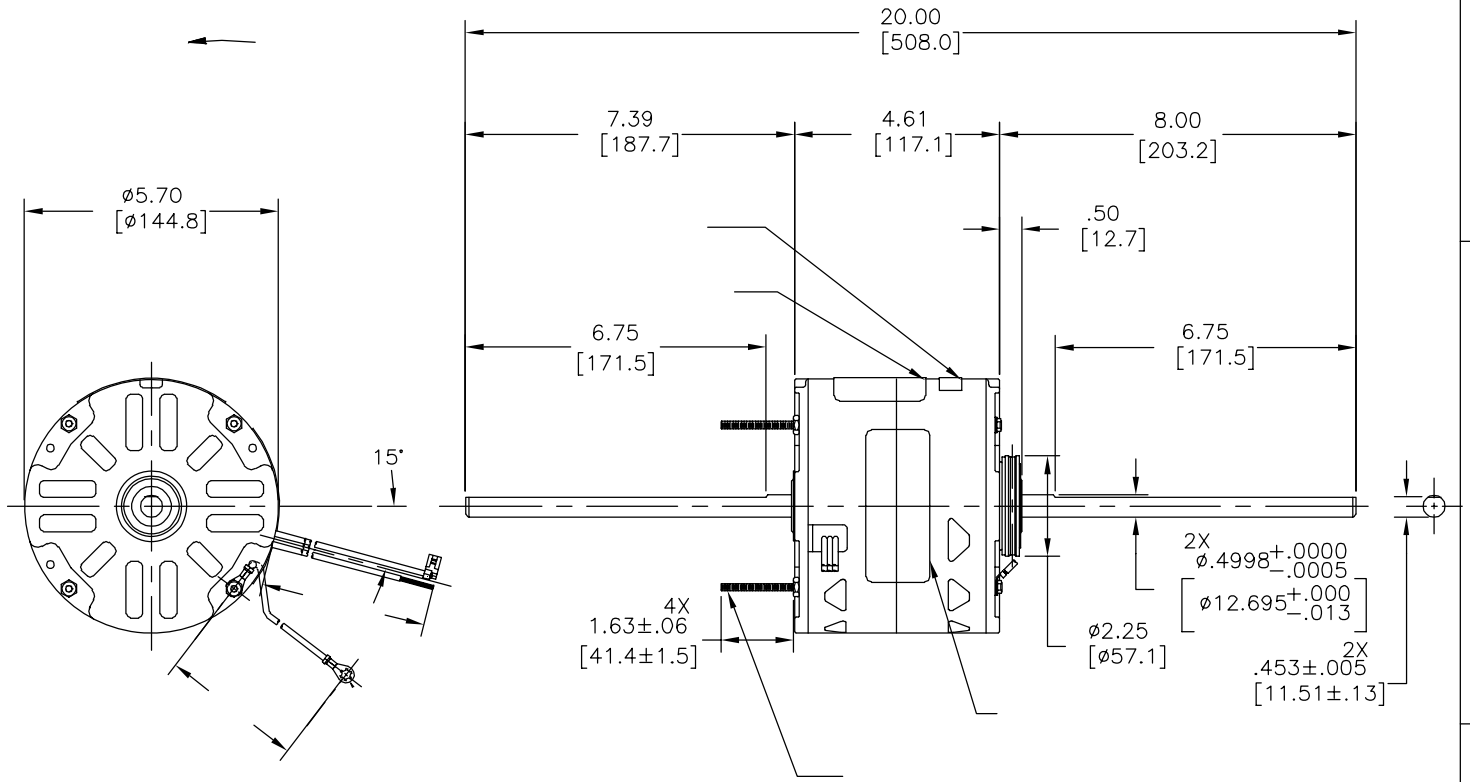
DR BY: J.RUPERT 10-27-1994
 APPD: T.RILE 10-31-1994
 THIRD ANGLE PROJECTION
 EDS DATE 11-11-2011
 FORMAT REV G
 CONFIDENTIAL: THIS DRAWING AND ITS INFORMATION ARE THE EXCLUSIVE AND CONFIDENTIAL PROPERTY OF REGAL-BELOIT CORPORATION AND ARE NOT TO BE DISCLOSED, DUPLICATED, DISTRIBUTED OR OTHERWISE USED WITHOUT THE WRITTEN CONSENT OF REGAL-BELOIT CORPORATION. -ALL RIGHTS RESERVED.

REGAL-BELOIT CORPORATION
 DESCRIPTION: MODEL-RFHP-48FR OUTLINE
 SIZE: C DWG NO: 11773-018
 SCALE: NONE SHEET 1

REVISION: ECO	REVISADO POR: F.NAVARRO	FECHA: 05-03-2012	APROBADO POR: R.RASCON	FECHA: 05-03-2012
D	0025578			

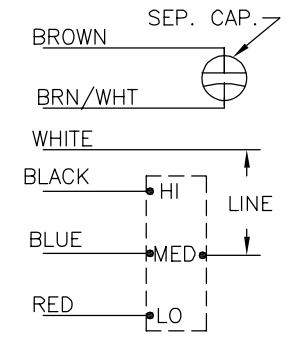
.001 [.03]

(T.I. 7AM 032)



SEE NOTE 2

MODEL NO.: F48SJ4L4B1
 CUST. P/N: []
 HP: 1/3
 ROT: CCWLE
 RPM: 1625/3 SPD.
 TYPE: UF
 FRAME: 48Y
 VOLTS: 115
 PH: 1
 AMPS: 4.0 (5.6 MAX.)
 HZ: 60/50
 INS: A
 AMB: 40C
 DUTY: AIR OVER
 CAP.: 5 MFD/370V
 ENCL: SEMI-ENCL.
 CSA LOGO
 UL LOGO
 THERMALLY PROTECTED



614131-106

	29/31	
	[737/787]	
	35/37	.25 [6.4]
	[889/940]	
	35/37	.25 [6.4]
	[889/940]	
	35/37	.60 [15.2]
	[889/940]	
	35/37	.60 [15.2]
	[889/940]	
	35/37	.60 [15.2]
	[889/940]	

	(25°C)					
C23764	26.0 OZ. FT.	EX11273-2	E46412	PRGY2	LR43341	260-ø-0

CUST.	DISTRIBUTION SERVICE
-------	----------------------

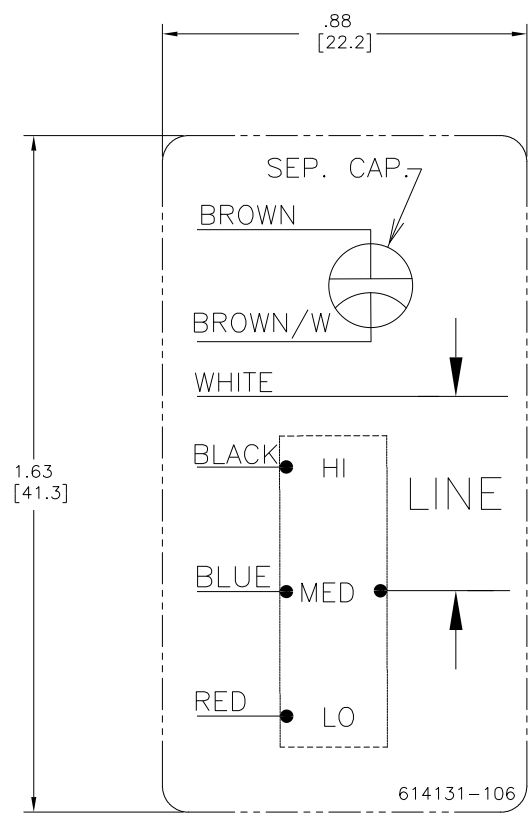
CARACTERISTICAS DE GEOMETRIA Y SIMBOLOS
 ▽ PLANICIDAD
 — RECTITUD
 < ANGULARIDAD
 ⊥ PERPENDICULARIDAD (A ESQUADRA)
 // PARALELISMO
 ○ REDONDEZ (CIRCULARIDAD)
 ∅ CILINDRICIDAD
 △ PERFIL DE CUALQUIER SUPERFICIE
 ∇ PERFIL DE CUALQUIER LINEA
 ↑ VARIACION
 ⊕ POSICION REAL
 ⊙ CONCENTRICIDAD
 = SIMETRIA
 ASME Y14.5M 1994

REGAL-BELOIT CORPORATION (RBC) PROVEE ASISTENCIA TECNICA A NUESTROS CLIENTES EN VARIAS AREAS. DESDE QUE RBC NO RECIBE TODOS LOS DATOS EN RELACION AL USO Y A LA APLICACION DEL MOTOR, LA APLICACION ADECUADA DEL MOTOR DEBE SER DETERMINADA POR EL CLIENTE.
 DIMENSIONES SIN TOLERANCIA SON DE REFERENCIA SOLAMENTE

DIBUJADO POR: J.RUPERT
 APROBADO POR: T.RILE
 TERCER ANGULO DE PROYECCION
 10-27-1994
 10-31-1994
 FECHA EDS: 11-11-2011
 REV. FORMATO: G
 CONFIDENCIAL: ESTE DIBUJO Y SU INFORMACION SON PROPIEDAD DE USO EXCLUSIVO Y CONFIDENCIAL DE REGAL-BELOIT CORPORATION. Y NO DEBERAN SER REVELADOS, DUPLICADOS, DISTRIBUIDOS O USARSE DE OTRA MANERA SIN EL CONSENTIMIENTO ESCRITO DE REGAL-BELOIT CORPORATION. -TODOS LOS DERECHOS RESERVADOS.



DESCRIPCION: MODEL-RFHP-48FR OUTLINE
 TAMAÑO: C NUMERO DE DIBUJO: 11773-018
 ESCALA: NONE HOJA: 1



- NOTES:
1. FOR USE WITH 614129 OR 2513020-001 NAMEPLATE BLANKS
 2. _____ INDICATES DIMENSION LIMITS

DRAWING REVISION D	REVISION BY J. RUPERT	DATE 09-08-2022	TOLERANCES UNLESS OTHERWISE SPECIFIED	DRAWN BY: PZ	Regal Beloit America, Inc.	
ECO NMR-0216370	APPROVED BY J. RUPERT	DATE 09-08-2022	DEC. INCH mm ANGLE .X ±0.1 [±2.5] ±0.5° .XX ±0.02 [±0.51] .XXX ±0.005 [±0.127] XXXX ±0.0005 [±0.0127]	DATE: 04-12-2011		
ECO DESCRIPTION REVISED FOR UP ISSUE			REMOVE BURRS & BREAK SHARP EDGES .003/.015 [0.076/.381] X 45° CORNER FILLETS R.02 [51] MACHINED SURFACES .125/ mm 32/ INCH mm 32/ mm SHOWN IN [BRACKETS]	APPROVED BY: Tiger Wong	DESCRIPTION CONN-DIAGRAM NAMEPLATE	
<small> COPYRIGHT REGAL BELOIT AMERICA, INC. ALL RIGHTS RESERVED. PROPRIETARY AND CONFIDENTIAL INFORMATION - THIS DOCUMENT IS THE PROPERTY OF REGAL BELOIT AMERICA, INC. (OWNER) AND CONTAINS OWNER'S PROPRIETARY INFORMATION. ANY REPRODUCTION OR OTHER FORM RECEIVING IT IS DENIED. BY RECEIVING IT, TO AGREE THAT IT, AND/OR ANY PART OF IT, SHALL NOT BE DISCLOSED TO ANY PERSON, CORPORATION OR OTHER ENTITY, DUPLICATED, AND/OR USED, EXCEPT AS EXPRESSLY APPROVED IN WRITING IN ADVANCE BY OWNER. THIS DOCUMENT SHALL BE RETURNED TO OWNER UPON REQUEST. IT MAY BE SUBJECT TO CERTAIN RESTRICTIONS UNDER APPLICABLE EXPORT CONTROL LAWS AND REGULATIONS. </small>			DATE: 04-12-2011	REFERENCE	MATERIAL	PROCESS/FINISH
			THIRD ANGLE PROJECTION	SIZE DWG NO C 614131-106	SHEET 1	