

PRODUCT INFORMATION PACKET



Model No: RAL1036

Catalog No: RAL1036

Fan Coil & Air Conditioner Motor, 1/3 HP, 1 Ph, 60 Hz, 115 V, 1075 RPM, 3 Speed, 48 Frame,
SEMI ENCLOSED



Regal and Century are trademarks of Regal Rexnord Corporation or one of its affiliated companies.
©2022 Regal Rexnord Corporation, All Rights Reserved. MC017097E





Nameplate Specifications

Output HP	1/3 Hp	Output KW	0.25 kW
Frequency	60 Hz	Voltage	115 V
Current	5.0 A	Speed	1075 rpm
Service Factor	1	Phase	1
Duty	Air Over	Insulation Class	A
Frame	48Y	Enclosure	Semi Enclosed
Thermal Protection	Automatic	Ambient Temperature	40 °C
UL	Recognized	CSA	Y
CE	N	Number of Speeds	3

Technical Specifications

Electrical Type	Permanent Split Capacitor	Starting Method	Across The Line
Poles	6	Rotation	Counterclockwise Lead End
Mounting	Resilient Ring/Extended Studs	Motor Orientation	Horizontal
Drive End Bearing	Sleeve	Opp Drive End Bearing	Sleeve
Frame Material	Rolled Steel	Shaft Type	Flat
Overall Length	20.00 in	Frame Length	4.25 in
Shaft Diameter	0.500 in	Shaft Extension	7.9X.5X7.3 in
Connection Drawing	614131-106	Outline Drawing	F48SN6L25B1-S01

This is an uncontrolled document once printed or downloaded and is subject to change without notice. Date Created:11/28/2022

4

3

2

1

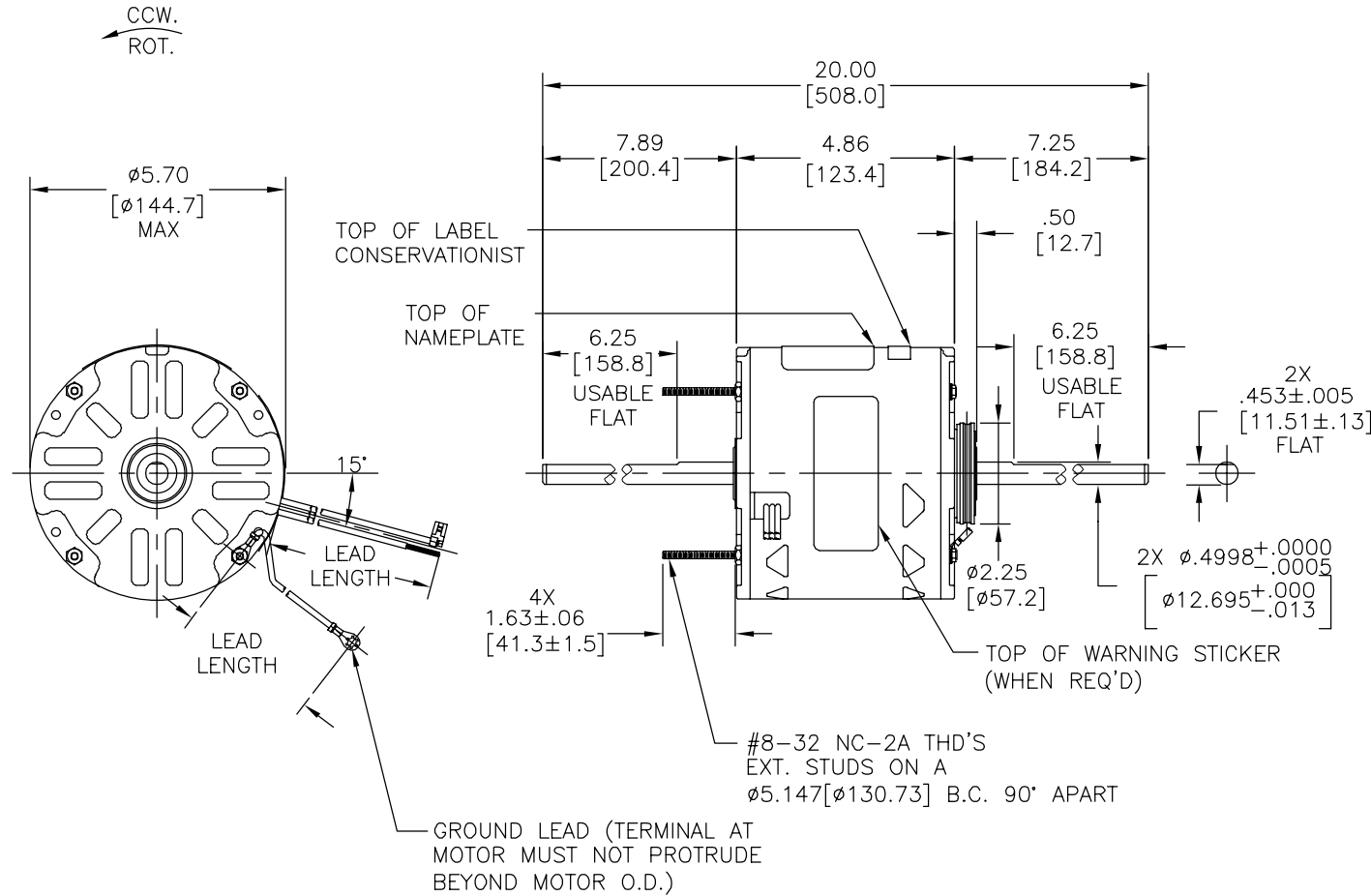
GENERAL INFORMATION:

SHAFT RUNOUT: .001[.03] T.I.R. PER INCH LENGTH OF EXTENSION.
 END PLAY: .010[.25] TO .063[1.60]
 BEARINGS: SLEEVE
 MOUNTING POSITION: HORIZONTAL

ELECTRICAL DATA:

OVERLOAD PROTECTOR: AUTOMATIC RESET (T.I. 7AM 032)
 LINE LEADS: NO. 18 GA., .06[1.5] THK., 105°C PVC INSUL.
 GROUND LEAD: NO. 18 GA., .03[.8] THK., (GREEN) INSUL.

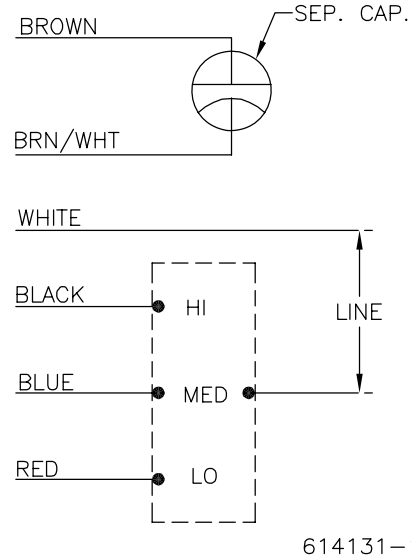
REV	ECO	REV BY	DATE	APPD	DATE
B	0025578	F.NAVARRO	05-03-2012	R.RASCON	05-03-2012



NAMEPLATE DATA:

EXTERNAL CONNECTION DIAGRAM

MODEL: F48SN6L25B1
 CUST. P/N: []
 HP: 1/3
 ROT: CCWLE
 RPM: 1075/3 SPD
 TYPE: UF
 FRAME: 48Y
 VOLTS: 115
 PH: 1
 AMPS: 5.0 (6.8 MAX)
 HZ: 60/50
 INS: A
 AMB: 40 °C
 DUTY: AIR OVER
 CAP.: 5 MFD/370V
 ENCL: SEMI-ENCL.
 CSA LOGO
 UL LOGO
 THERMALLY PROTECTED



COLOR	LENGTH	TERMINAL OR STRIP LEGTH
RED	35.0/37.0[889/940]	.60[15.2] SKIN
GREEN(GRD)	29.0/31.0[737/787]	#10 EYELET
BROWN/WHITE	35.0/37.0[889/940]	.25[6.4] FLAG
BROWN	35.0/37.0[889/940]	.25[6.4] FLAG
WHITE(REV)	35.0/37.0[889/940]	.60[15.2] SKIN
BLACK	35.0/37.0[889/940]	.60[15.2] SKIN
BLUE	35.0/37.0[889/940]	.60[15.2] SKIN
COLOR	LENGTH	TERMINAL OR STRIP LEGTH

LEAD DATA

- NOTE:
- 615059-001 RESILIENT MOUNTING KIT TO BE PACKED WITH MOTOR
 - DISTRIBUTION PART NUMBER: RAL1036
GRAINGER PART NUMBER: 4MA59

MAIN FR.-OLE	SEMI-ENCLOSED
END FR.-OLE	OPEN
MAIN FR.-OLE	SEMI-ENCLOSED
END FR.-OLE	OPEN
ENCLOSURE	

CUSTOMER	DISTRIBUTION SERVICES
----------	-----------------------

PERFORMANCE CURVE NO.	TORQUE @1075 RPM (25°C)	APPROVED SAMPLE	UL COMPONENT FILE #	CCN #	CSA FILE #	CLASS #
C23723	40.0 OZ. FT.	EX11279-1	E46412	PRGY2	LR43341	4211-01

GEOMETRIC CHARACTERISTICS & SYMBOLS

- FLATNESS
- STRAIGHTNESS
- ∠ ANGULARITY
- ⊥ PERPENDICULARITY (SQUARENESS)
- // PARALLELISM
- ROUNDNESS (CIRCULARITY)
- ⊘ CYLINDRICITY
- △ PROFILE OF ANY SURFACE
- ▽ PROFILE OF ANY LINE
- ↑ RUNOUT
- ⊕ TRUE POSITION
- ⊙ CONCENTRICITY
- ≡ SYMMETRY

ASME Y14.5M 1994

REGAL-BELOIT CORPORATION (RBC) PROVIDES TECHNICAL ASSISTANCE TO OUR CUSTOMERS IN SEVERAL AREAS. SINCE RBC DOES NOT RECEIVE ALL DATA CONCERNING THE USE AND APPLICATION OF THE MOTOR, THE SUITABILITY OF THE MOTOR FOR THE APPLICATION MUST BE DETERMINED BY THE CUSTOMER.

DIMENSIONS WITHOUT TOLERANCES ARE FOR REFERENCE ONLY.

DR BY: TH 02-18-2011
 APPD: BS 02-18-2011
 EDS DATE 11-11-2011
 FORMAT REV G

THIRD ANGLE PROJECTION

CONFIDENTIAL: THIS DRAWING AND ITS INFORMATION ARE THE EXCLUSIVE AND CONFIDENTIAL PROPERTY OF REGAL-BELOIT CORPORATION AND ARE NOT TO BE DISCLOSED, DUPLICATED, DISTRIBUTED OR OTHERWISE USED WITHOUT THE WRITTEN CONSENT OF REGAL-BELOIT CORPORATION. -ALL RIGHTS RESERVED.



DESCRIPTION: MODEL-RFHP-48FR OUTLINE

SIZE: C DWG NO: F48SN6L25B1

SCALE: NONE SHEET: 1

4

3

2

1

4

3

2

1

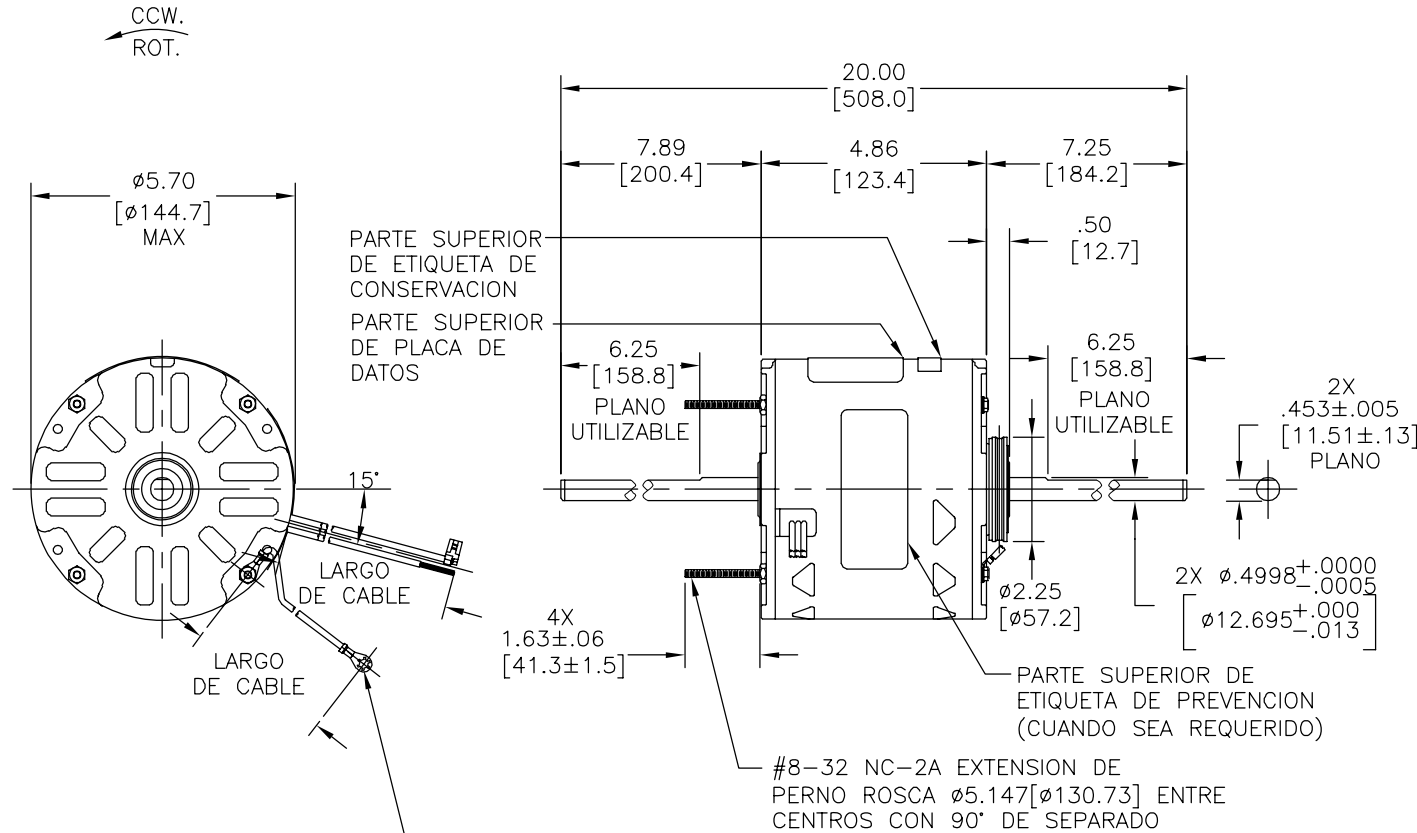
INFORMACION GENERAL:

OSCILACION DE FLECHA: .001[.03] L.T.I. DE EXTENSION DE LARGO POR PULGADA
 JUEGO AXIAL: .010[.25] A .063[1.60]
 BALEROS: MANGA
 POSICION DE MONTAGE: HORIZONTAL

INFORMACION ELECTRICA:

PROTECTOR DE SOBRECARGA: REINICIO AUTOMATICO (T.I. 7AM 032)
 CABLES DE LINEA: NO. 18 GA., .06[1.5] THK., 105°C PVC AISLANTE
 CABLE DE TIERRA: NO. 18 GA., .03[.8] THK., (VERDE) AISLANTE

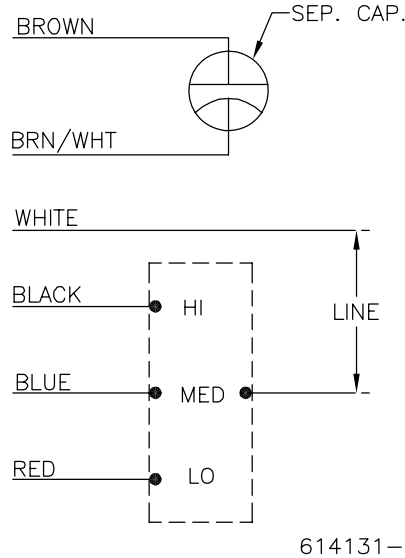
REVISION:	ECO	REVISADO POR:	FECHA:	APROBADO POR:	FECHA:
B	0025578	F.NAVARRO	05-03-2012	R.RASCON	05-03-2012



INFORMACION DE PLACA DE DATOS:

DIAGRAMA DE CONNECCION EXTERNA

MODEL: F48SN6L25B1
 CUST. P/N: []
 HP: 1/3
 ROT: CCWLE
 RPM: 1075/3 SPD
 TYPE: UF
 FRAME: 48Y
 VOLTS: 115
 PH: 1
 AMPS: 5.0 (6.8 MAX)
 HZ: 60/50
 INS: A
 AMB: 40 °C
 DUTY: AIR OVER
 CAP.: 5 MFD/370V
 ENCL: SEMI-ENCL.
 CSA LOGO
 UL LOGO
 THERMALLY PROTECTED



ROJO	35.0/37.0[889/940]	.60[15.2] FORRO
VERDE(TIERRA)	29.0/31.0[737/787]	#10 OJAL
CAFE/BLANCO	35.0/37.0[889/940]	.25[6.4] BANDERA
CAFE	35.0/37.0[889/940]	.25[6.4] BANDERA
BLANCO(REV)	35.0/37.0[889/940]	.60[15.2] FORRO
NEGRO	35.0/37.0[889/940]	.60[15.2] FORRO
AZUL	35.0/37.0[889/940]	.60[15.2] FORRO
COLOR	LARGO	LARGO DE TIRA O TERMINAL

INFORMACION DE CABLES

- NOTA:
- 615059-001 JUEGO AISLANTE DE MONTAJE DEBERA SER EMPACADO CON EL MOTOR
 - NUMERO DE PARTE DE DISTRIBUCION: RAL1036
 NUMERO DE PARTE GRAINGER: 4MA59

CARCAZA-L.O.C.	SEMI-ENCERRADO
TAPA-L.O.C.	ABIERTO
CARCAZA-L.O.C.	SEMI-ENCERRADO
TAPA-L.O.C.	ABIERTO
	ENCERRADO

CLIENTE	SERVICIOS DE DISTRIBUCION
---------	---------------------------

NO. CURVA DE DESEMPEÑO	TORQUE @1075 RPM (25°C)	MUESTRA APROBADA	COMPONENTE UL	CSA
C23723	40.0 OZ. FT.	EX11279-1	#ARCHIVO	CCN #
			LR43341	4211-01

CARACTERISTICAS DE GEOMETRIA Y SIMBOLOS

- PLANICIDAD
- RECTITUD
- < ANGULARIDAD
- ⊥ PERPENDICULARIDAD (A ESCUADRA)
- // PARALELISMO
- REDONDEZ (CIRCULARIDAD)
- ∅ CILINDRICIDAD
- △ PERFIL DE CUALQUIER SUPERFICIE
- ∩ PERFIL DE CUALQUIER LINEA
- ∧ VARIACION
- ⊕ POSICION REAL
- ◎ CONCENTRICIDAD
- = SIMETRIA

ASME Y14.5M 1994

REGAL-BELOIT CORPORATION (RBC) PROVEE ASISTENCIA TECNICA A NUESTROS CLIENTES EN VARIAS AREAS, DESDE QUE RBC NO RECIBE TODOS LOS DATOS EN RELACION AL USO Y A LA APLICACION DEL MOTOR, LA APLICACION ADECUADA DEL MOTOR DEBE SER DETERMINADA POR EL CLIENTE.

DIMENSIONES SIN TOLERANCIA SON DE REFERENCIA SOLAMENTE

DIBUJADO POR:	TH	02-18-2011
APROBADO POR:	BS	02-18-2011
TERCER ANGULO DE PROYECCION	FECHA EDS: 11-11-2011	REV. FORMATO: G
CONFIDENCIAL: ESTE DIBUJO Y SU INFORMACION SON PROPIEDAD DE USO EXCLUSIVO Y CONFIDENCIAL DE REGAL-BELOIT CORPORATION. Y NO DEBERAN SER REVELADOS, DUPLICADOS, DISTRIBUIDOS O USARSE DE OTRA MANERA SIN EL CONSENTIMIENTO ESCRITO DE REGAL-BELOIT CORPORATION. -TODOS LOS DERECHOS RESERVADOS.		



DESCRIPCION:	MODEL-RFHP-48FR OUTLINE
TAMAÑO:	C
NUMERO DE DIBUJO:	F48SN6L25B1
ESCALA:	NONE
HOJA:	1

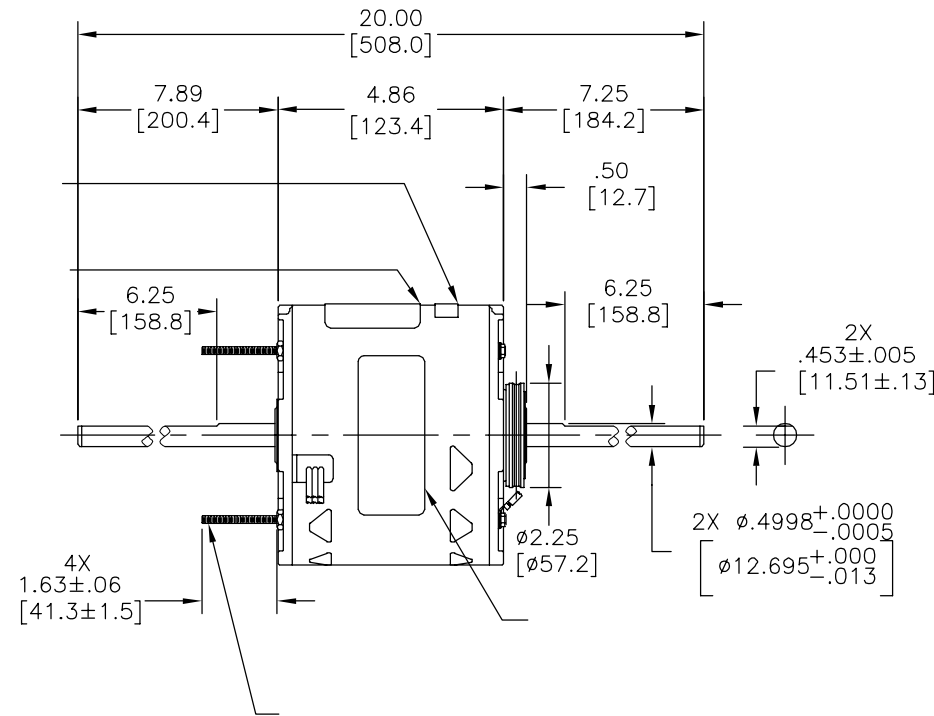
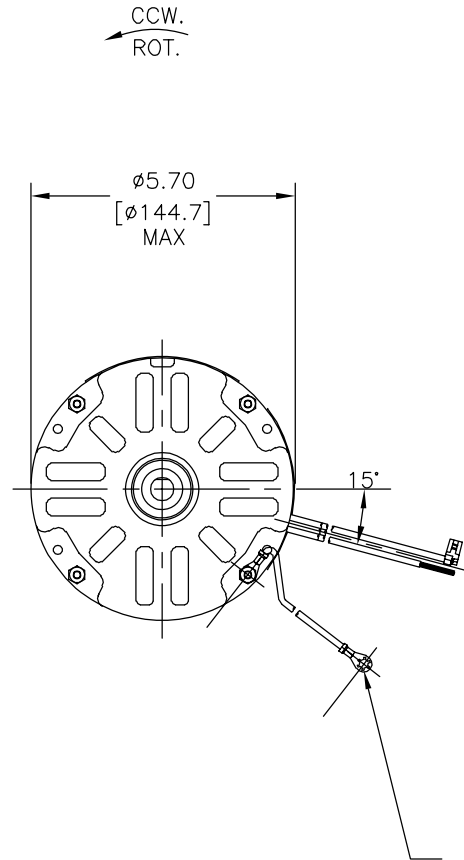
4

3

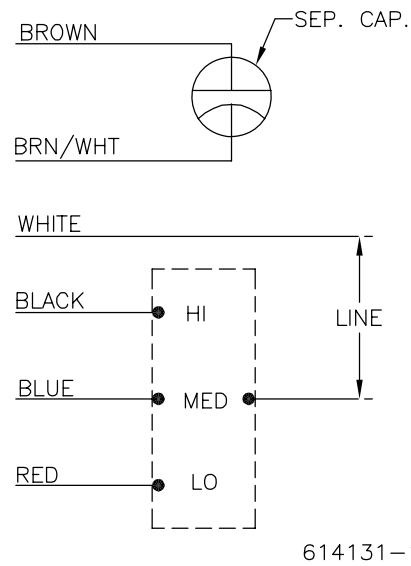
2

1

版本	ECO	编制	日期	批准	日期
B	0025578	F.NAVARRO	05-03-2012	R.RASCON	05-03-2012



MODEL: F48SN6L25B1
 CUST. P/N: []
 HP: 1/3
 ROT: CCWLE
 RPM: 1075/3 SPD
 TYPE: UF
 FRAME: 48Y
 VOLTS: 115
 PH: 1
 AMPS: 5.0 (6.8 MAX)
 HZ: 60/50
 INS: A
 AMB: 40 °C
 DUTY: AIR OVER
 CAP.: 5 MFD/370V
 ENCL: SEMI-ENCL.
 CSA LOGO
 UL LOGO
 THERMALLY PROTECTED



614131-106

	35.0/37.0[889/940]	
	29.0/31.0[737/787]	
	35.0/37.0[889/940]	
	35.0/37.0[889/940]	
	35.0/37.0[889/940]	
	35.0/37.0[889/940]	
	35.0/37.0[889/940]	

					CSA
C23723	40.0 OZ. FT.	EX11279-1	E46412	PRGY2	LR43341 4211-01

- 形位公差
- 平面度
- 直线度
- ∠ 倾斜度
- ⊥ 垂直度
- // 平行度
- 圆度
- ⊘ 圆柱度
- ⊙ 面轮廓度
- ⌒ 线轮廓度
- ↗ 圆跳动
- ⊕ 位置度
- ⊙ 同轴度
- ≡ 对称度

ASME Y14.5M 1994

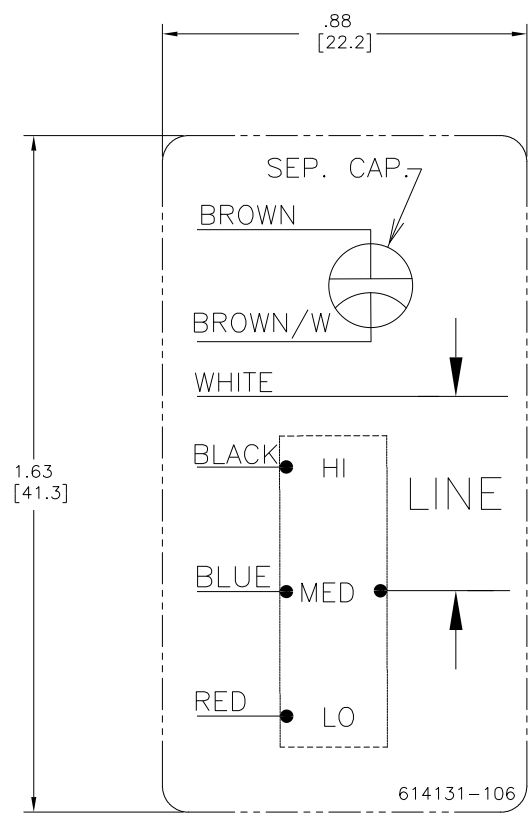
REGAL-BELOIT CORPORATION (RBC) 在个别领域为客户提供技术支持。鉴于RBC未收到任何涉及电机使用和应用环境的数据，电机的适用性由客户自己决定。

未注公差尺寸仅供参考。

绘图:	TH	02-18-2011
批准:	BS	02-18-2011
第三角投影		图纸格式发布日期 11-11-2011 图纸格式版本 G
机密: 本图纸及相关信息所有权归REGAL-BELOIT CORPORATION。未经REGAL-BELOIT CORPORATION书面授权, 不得泄露、复制或传播作其他用途。一版权所有		



名称	MODEL-RFHP-48FR OUTLINE	
图幅	C	图号 F48SN6L25B1
比例	NONE	页号 1



- NOTES:
1. FOR USE WITH 614129 OR 2513020-001 NAMEPLATE BLANKS
 2. _____ INDICATES DIMENSION LIMITS

DRAWING REVISION D	REVISION BY J. RUPERT	DATE 09-08-2022	TOLERANCES UNLESS OTHERWISE SPECIFIED	DRAWN BY: PZ	Regal Beloit America, Inc.	
ECO NMR-0216370	APPROVED BY J. RUPERT	DATE 09-08-2022	DEC. INCH mm ANGLE .X ±0.1 [±2.5] ±0.5° .XX ±0.02 [±0.51] .XXX ±0.005 [±0.127] XXXX ±0.0005 [±0.0127]	DATE: 04-12-2011		
ECO DESCRIPTION REVISED FOR UP ISSUE			REMOVE BURRS & BREAK SHARP EDGES .003/.015 [0.076/.381] X 45° CORNER FILLETS R.02 [51] MACHINED SURFACES .125/ mm 32/ INCH mm 32/ mm SHOWN IN [BRACKETS]	APPROVED BY: Tiger Wong	DESCRIPTION CONN-DIAGRAM NAMEPLATE	
<small> COPYRIGHT REGAL BELOIT AMERICA, INC. ALL RIGHTS RESERVED. PROPRIETARY AND CONFIDENTIAL INFORMATION - THIS DOCUMENT IS THE PROPERTY OF REGAL BELOIT AMERICA, INC. (OWNER) AND CONTAINS OWNER'S PROPRIETARY INFORMATION. ANY REPRODUCTION OR OTHER FIRM RECEIVING IT IS DENIED. BY RECEIVING IT, TO AGREE THAT IT, AND/OR ANY PART OF IT, SHALL NOT BE DISCLOSED TO ANY PERSON, CORPORATION OR OTHER ENTITY, DUPLICATED, AND/OR USED, EXCEPT AS EXPRESSLY APPROVED IN WRITING IN ADVANCE BY OWNER. THIS DOCUMENT SHALL BE RETURNED TO OWNER UPON REQUEST. IT MAY BE SUBJECT TO CERTAIN RESTRICTIONS UNDER APPLICABLE EXPORT CONTROL LAWS AND REGULATIONS. </small>			DATE: 04-12-2011	REFERENCE	MATERIAL	PROCESS/FINISH
			THIRD ANGLE PROJECTION	SIZE DWG NO C 614131-106	SHEET 1	