

PRODUCT INFORMATION PACKET



Model No: SA1026

Catalog No: SA1026

Fan Coil & Air Conditioner Motor, 1/4 HP, 1 Ph, 60 Hz, 208-230 V, 1075 RPM, 3 Speed, 48 Frame,
SEMI ENCL



Regal and Century are trademarks of Regal Rexnord Corporation or one of its affiliated companies.
©2025 Regal Rexnord Corporation, All Rights Reserved. MC017097E





Nameplate Specifications

Phase	1	Output HP	1/4 Hp
Output KW	0.19 kW	Voltage	208-230 V
Speed	1075 rpm	Service Factor	1.0
Frame	48Y	Enclosure	Semi Enclosed
Thermal Protection	Automatic	Ambient Temperature	60 °C
Frequency	60 Hz	Current	1.5 A
Duty	Air Over	Insulation Class	B
UL	Recognized	CSA	Y
CE	N	Number of Speeds	3

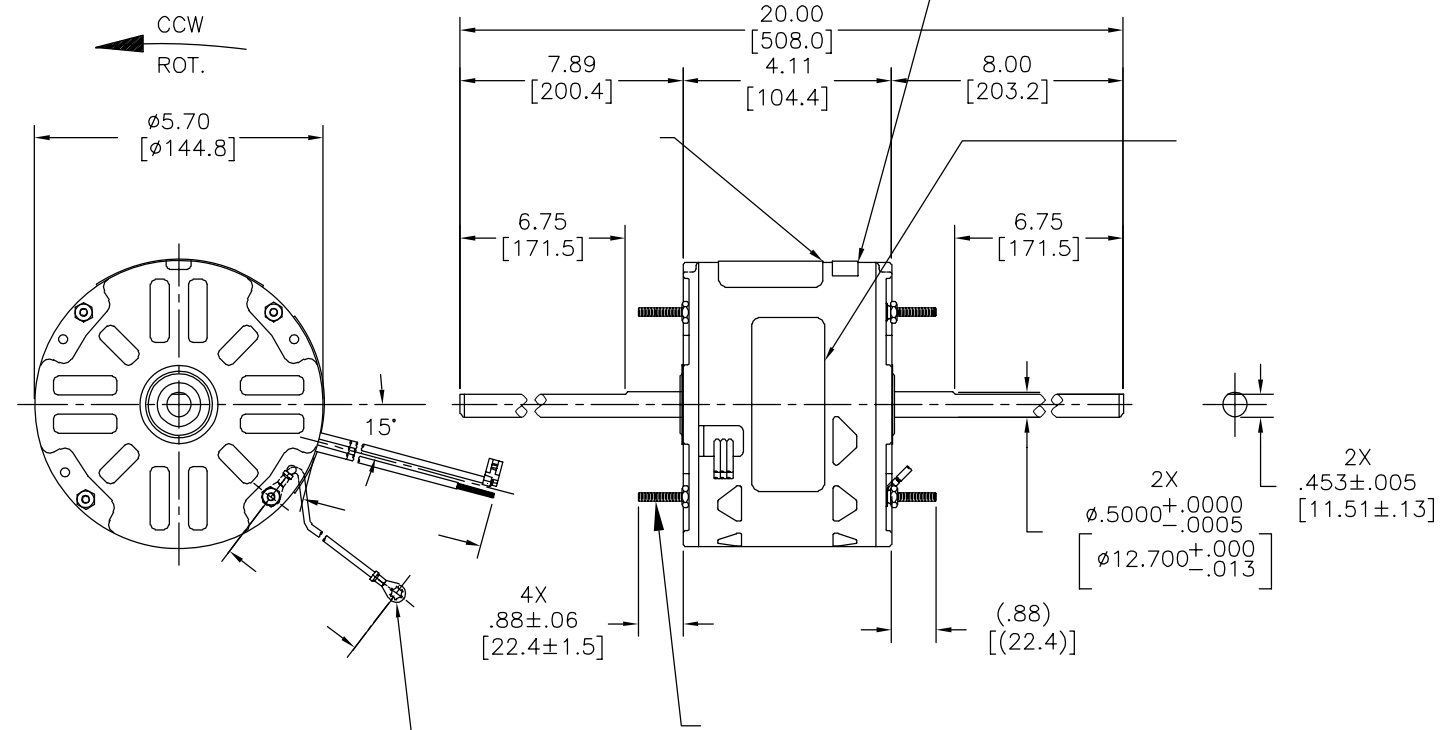
Technical Specifications

Electrical Type	Permanent Split Capacitor	Starting Method	Across The Line
Poles	6	Rotation	Counterclockwise Lead End
Mounting	Extended Studs	Motor Orientation	Horizontal
Drive End Bearing	Sleeve	Opp Drive End Bearing	Sleeve
Frame Material	Rolled Steel	Shaft Type	Flat
Overall Length	20.00 in	Frame Length	3.50 in
Shaft Diameter	0.500 in	Shaft Extension	7.9X.5X8.0 in
Connection Drawing	614131-106	Outline Drawing	F48E64A01-S01

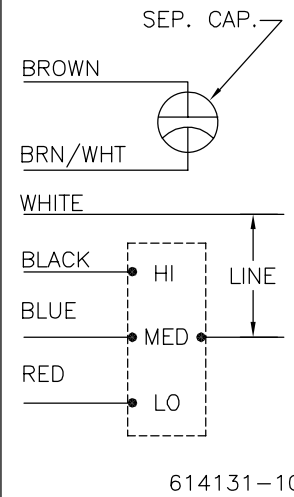
This is an uncontrolled document once printed or downloaded and is subject to change without notice. Date Created:02/10/2025

版本	ECO	编制	日期	批准	日期
D	ECO-0034278	A.RODRIGUEZ	07-03-2013	D.MUÑOZ	07-03-2013

HORIZONTAL



MODEL NO.: F48E64A01
 CUST. P/N:
 HP: 1/4
 ROT.: CCWLE
 RPM: 1075/3 SPD
 TYPE: UF
 FRAME: 48Y
 VOLTS: 208-230
 PH: 1
 AMPS: 1.5 (1.9 MAX.)
 HZ: 60
 INS.: B
 AMB.: 60° C
 DUTY: AIR OVER
 CAP.: 5 MFD/370V
 ENCL: SEMI-ENCL.
 UL LOGO
 CSA LOGO
 THERMALLY PROTECTED



	29.0/31.0 [737/787]	#10 EYELET
	35.0/37.0 [889/940]	.25[6.3] FLAG
	35.0/37.0 [889/940]	.25[6.3] FLAG
	35.0/37.0 [889/940]	.60[15.2] SKIN
	35.0/37.0 [889/940]	.60[15.2] SKIN
	35.0/37.0 [889/940]	.60[15.2] SKIN
	35.0/37.0 [889/940]	.60[15.2] SKIN

C23006	23.0 OZ. FT.	EX11258	E46412	PRGY2	LR43341	4211-01
--------	--------------	---------	--------	-------	---------	---------

- 形位公差
- 平面度
 - 直线度
 - ∠ 倾斜度
 - ⊥ 垂直度
 - // 平行度
 - 圆度
 - ⊘ 圆柱度
 - ⌒ 面轮廓度
 - △ 线轮廓度
 - ↻ 圆跳动
 - ⊕ 位置度
 - ⊙ 同轴度
 - ≡ 对称度

ASME Y14.5M 1994

REGAL-BELOIT CORPORATION (RBC) 在个别领域为客户提供技术支持。鉴于 RBC 未收到任何涉及电机使用和应用环境的数据，电机的适用性由客户自己决定。

未注公差尺寸仅供参考。

绘图: TH 02-18-2011
 批准: BS 02-18-2011
 第三角投影
 图名: 图纸格式发布日期 11-11-2011
 图纸格式版本 H
 机密: 本图纸及相关信息所有权归 REGAL-BELOIT CORPORATION 未经 REGAL-BELOIT CORPORATION 书面授权, 不得泄露、复制或传播或作其他用途。— 版权所有



名称: MODEL-RFHP-48FR OUTLINE
 图幅: C 图号: F48E64A01
 比例: NONE 页号: 1

4

3

2

1

REV	ECO	REV BY	DATE	APPD	DATE
D	ECO-0034278	A.RODRIGUEZ	07-03-2013	D.MUÑOZ	07-03-2013

GENERAL INFORMATION:

SHAFT RUNOUT: .001[.03] T.I.R. PER INCH LENGTH OF EXTENSION

END PLAY: .010 TO .063 [.25 TO 1.60]

BEARINGS: SLEEVE

MOUNTING POSITION: HORIZONTAL

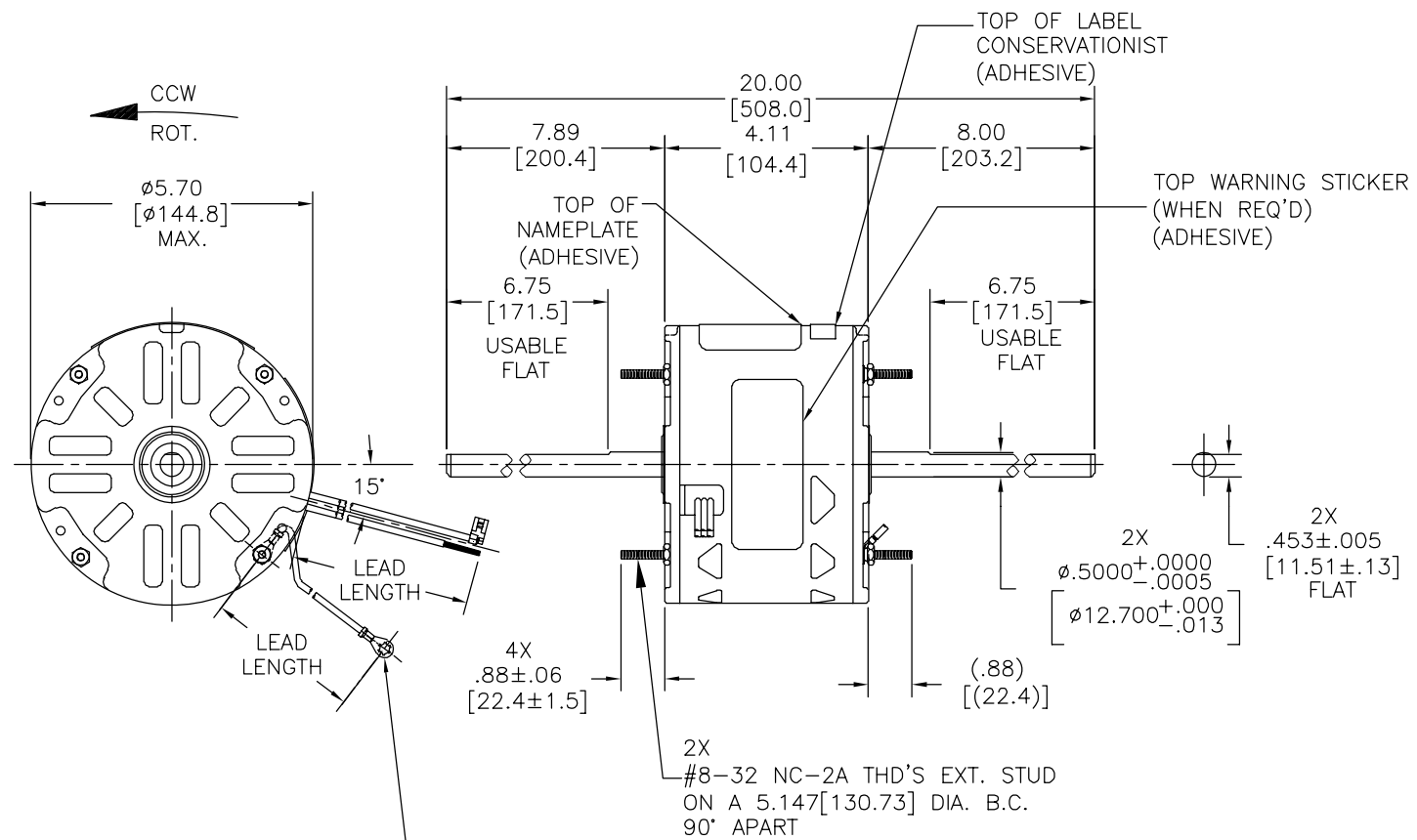
ELECTRICAL DATA:

OVERLOAD PROTECTOR: AUTOMATIC RESET (SENSATA 7AM 036)

LEADS: NO. 18 GA., .06[1.5] THK. 105' PVC INSUL.

GROUND LEAD: NO. 18 GA., .03[.8] THK. (GREEN) INSUL.

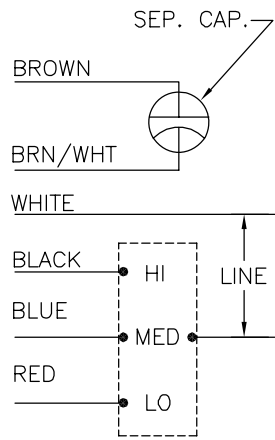
NOTE:
1. DISTRIBUTION PART NUMBER: SA1026



NAMEPLATE DATA:

EXTERNAL CONNECTION DIAGRAM

MODEL NO.: F48E64A01
 CUST. P/N:
 HP: 1/4
 ROT.: CCWLE
 RPM: 1075/3 SPD
 TYPE: UF
 FRAME: 48Y
 VOLTS: 208-230
 PH: 1
 AMPS: 1.5 (1.9 MAX.)
 HZ: 60
 INS.: B
 AMB.: 60° C
 DUTY: AIR OVER
 CAP.: 5 MFD/370V
 ENCL: SEMI-ENCL.
 UL LOGO
 CSA LOGO
 THERMALLY PROTECTED



614131-106

COLOR	LENGTH	TERMINAL OR STRIP LENGTH
GREEN(GROUND)	29.0/31.0 [737/787]	#10 EYELET
BROWN/WHITE	35.0/37.0 [889/940]	.25[6.3] FLAG
BROWN	35.0/37.0 [889/940]	.25[6.3] FLAG
WHITE	35.0/37.0 [889/940]	.60[15.2] SKIN
BLACK	35.0/37.0 [889/940]	.60[15.2] SKIN
BLUE	35.0/37.0 [889/940]	.60[15.2] SKIN
RED	35.0/37.0 [889/940]	.60[15.2] SKIN

MAIN FRAME - OLE	SEMI-ENCLOSED
END FRAME - OLE	OPEN
MAIN FRAME - LE	SEMI-ENCLOSED
END FRAME - LE	OPEN

CUSTOMER	DISTRIBUTION SERVICES
----------	-----------------------

PERFORMANCE CURVE NO.	TORQUE @ 1100 RPM (25°C)	APPROVED SAMPLE	UL COMPONENT FILE #	CCN #	CSA FILE #	CLASS #
C23006	23.0 OZ. FT.	EX11258	E46412	PRGY2	LR43341	4211-01

GEOMETRIC CHARACTERISTICS & SYMBOLS

- FLATNESS
- STRAIGHTNESS
- ∠ ANGULARITY
- ⊥ PERPENDICULARITY (SQUARENESS)
- ∥ PARALLELISM
- ROUNDNESS (CIRCULARITY)
- ⊘ CYLINDRICITY
- △ PROFILE OF ANY SURFACE
- ∩ PROFILE OF ANY LINE
- ↗ RUNOUT
- ⊕ TRUE POSITION
- ◎ CONCENTRICITY
- ≡ SYMMETRY

ASME Y14.5M 1994

REGAL-BELOIT CORPORATION (RBC) PROVIDES TECHNICAL ASSISTANCE TO OUR CUSTOMERS IN SEVERAL AREAS. SINCE RBC DOES NOT RECEIVE ALL DATA CONCERNING THE USE AND APPLICATION OF THE MOTOR, THE SUITABILITY OF THE MOTOR FOR THE APPLICATION MUST BE DETERMINED BY THE CUSTOMER.

DIMENSIONS WITHOUT TOLERANCES ARE FOR REFERENCE ONLY.

DR BY: TH 02-18-2011

APPD: BS 02-18-2011

THIRD ANGLE PROJECTION

EDS DATE 11-11-2011
FORMAT REV H

CONFIDENTIAL: THIS DRAWING AND ITS INFORMATION ARE THE EXCLUSIVE AND CONFIDENTIAL PROPERTY OF REGAL-BELOIT CORPORATION AND ARE NOT TO BE DISCLOSED, DUPLICATED, DISTRIBUTED OR OTHERWISE USED WITHOUT THE WRITTEN CONSENT OF REGAL-BELOIT CORPORATION. -ALL RIGHTS RESERVED.

REGAL REGAL-BELOIT CORPORATION

DESCRIPTION: MODEL-RFHP-48FR OUTLINE

SIZE: C DWG NO: F48E64A01

SCALE: NONE SHEET: 1

4

3

2

1

4

3

2

1

REVISION:	ECO	REVISADO POR:	FECHA:	APROBADO POR:	FECHA:
D	ECO-0034278	A.RODRIGUEZ	07-03-2013	D.MUÑOZ	07-03-2013

INFORMACION GENERAL:

OSCILACION DE FLECHA: .001 [.03] L.T.I. DE ACUERDO A LA EXTENCION EN PULGADAS

JUEGO AXIAL:

BALEROS: BUJE

POSICION DEL MONTAJE: HORIZONTAL

INFORMACION ELECTRICA:

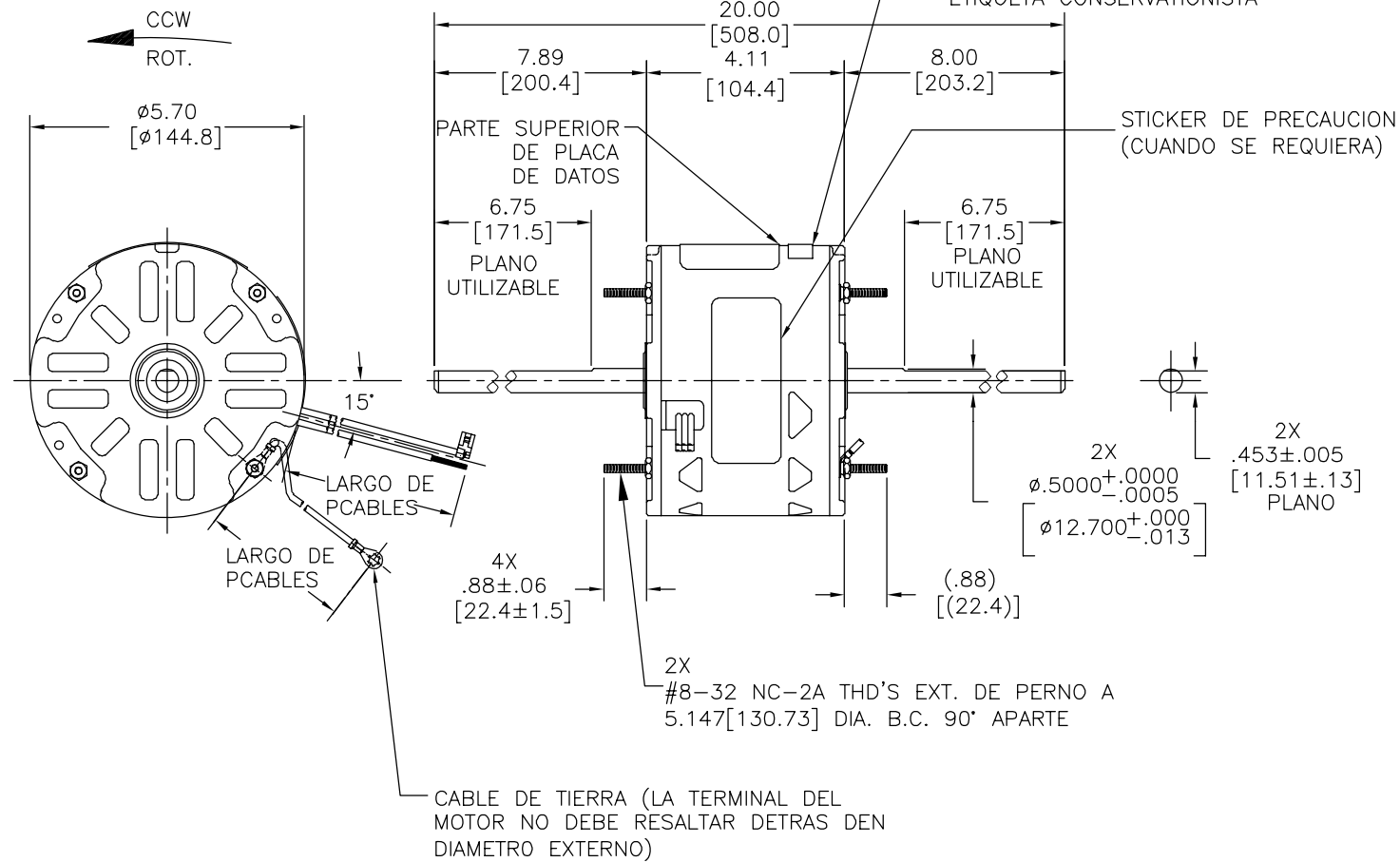
PROTECTOR DE SOBRECARGA: RESETEO AUTOMATICO (SENSATA 7AM 036)

CABLES: NO. 18 GA., .06[1.5] THK. 105' PVC AISLADO.

CABLE DE TIERRA: NO. 18 GA., .03[.8] THK. (VERDE) AISLANTE.

NOTA:
1. NUMERO DE PARTE DE DISTRUBUCION: SA1026
NUMERO DE PARTE DE GRAINGER: 4MA73

VER NOTA 1

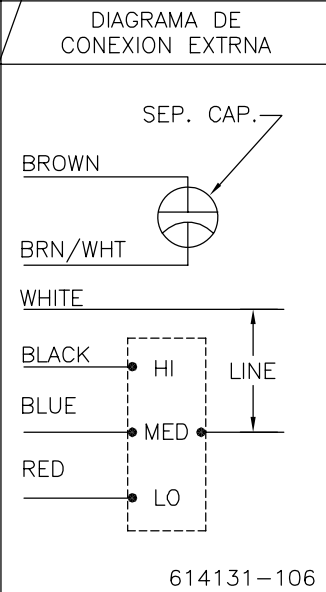


VERDE(TIERRA)	29.0/31.0 [737/787]	##0000BAET
CAFE/BLANCO	35.0/37.0 [889/940]	.25[6.35]BANDEA
CAFE	35.0/37.0 [889/940]	.25[6.35]BANDEA
BLANCO	35.0/37.0 [889/940]	.60[15.24]SKORRO
NEGRO	35.0/37.0 [889/940]	.60[15.24]SKORRO
AZUL	35.0/37.0 [889/940]	.60[15.24]SKORRO
ROJO	35.0/37.0 [889/940]	.60[15.24]SKORRO
	LONGITUD	TERMINAL O LONGITUD DE LA TIRA

CARCASA - LOC	SEMI-CUBIERTO
TAPA - LOC	ABIERTO
CARCASA - LC	SEMI-CUBIERTO
TAPA - LC	ABIERTO

CLIENTE	DISTRIBUCION DE SERVICIOS
---------	---------------------------

INFORMACION DE ETIQUETA:
MODEL NO.: F48E64A01
CUST. P/N: []
HP: 1/4
ROT.: CCWLE
RPM: 1075/3 SPD
TYPE: UF
FRAME: 48Y
VOLTS: 208-230
PH: 1
AMPS: 1.5 (1.9 MAX.)
HZ: 60
INS.: B
AMB.: 60° C
DUTY: AIR OVER
CAP.: 5 MFD/370V
ENCL: SEMI-ENCL.
UL LOGO
CSA LOGO
THERMALLY PROTECTED



614131-106

CURVAS DE FUNCIONAMIENTO	TORSION @ 1100 RPM (25°C)	MUESTRA APROBADA	COMPONENTE UL	CSA
C23006	23.0 OZ. FT.	EX11258	#ARCHIVO CCN #	#ARCHIVO CLASE #
			E46412 PRGY2	LR43341 4211-01

CARACTERISTICAS DE GEOMETRIA Y SIMBOLOS
 □ PLANICIDAD
 — RECTITUD
 < ANGULARIDAD
 ⊥ PERPENDICULARIDAD (A ESCUADRA)
 // PARALELISMO
 ○ REDONDEZ (CIRCULARIDAD)
 ∅ CILINDRICIDAD
 △ PERFIL DE CUALQUIER SUPERFICIE
 ∩ PERFIL DE CUALQUIER LINEA
 ↗ VARIACION
 ⊕ POSICION REAL
 ⊙ CONCENTRICIDAD
 = SIMETRIA
 ASME Y14.5M 1994

REGAL-BELOIT CORPORATION (RBC) PROVEE ASISTENCIA TECNICA A NUESTROS CLIENTES EN VARIAS AREAS. DESDE QUE RBC NO RECIBE TODOS LOS DATOS EN RELACION AL USO Y A LA APLICACION DEL MOTOR, LA APLICACION ADECUADA DEL MOTOR DEBE SER DETERMINADA POR EL CLIENTE.
 DIMENSIONES SIN TOLERANCIA SON DE REFERENCIA SOLAMENTE

DIBUJADO POR: TH 02-18-2011
 APROBADO POR: BS 02-18-2011
 TERCER ANGULO DE PROYECCION
 FECHA EDS: 11-11-2011
 REV. FORMATO: H
 CONFIDENCIAL: ESTE DIBUJO Y SU INFORMACION SON PROPIEDAD DE USO EXCLUSIVO Y CONFIDENCIAL DE REGAL-BELOIT CORPORATION. Y NO DEBERAN SER REVELADOS, DUPLICADOS, DISTRIBUIDOS O USARSE DE OTRA MANERA SIN EL CONSENTIMIENTO ESCRITO DE REGAL-BELOIT CORPORATION. -TODOS LOS DERECHOS RESERVADOS.

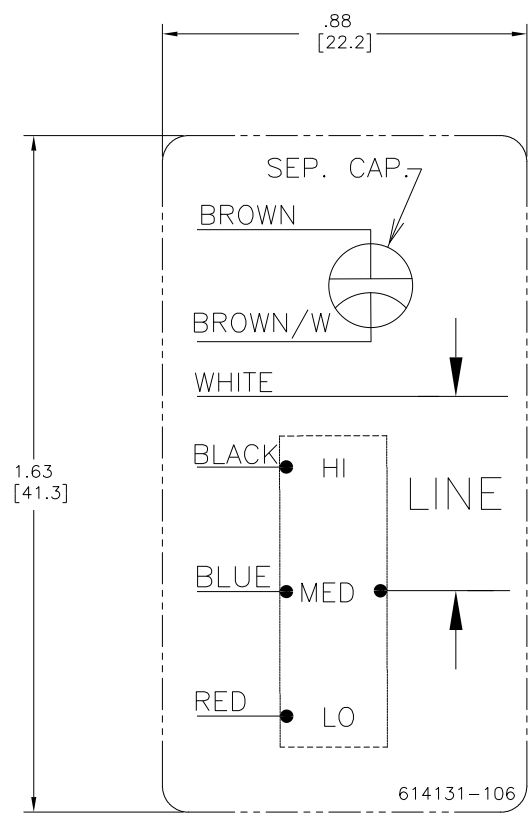
REGAL REGAL-BELOIT CORPORATION
 DESCRIPCION: MODEL-RFHP-48FR OUTLINE
 TAMAÑO: C NUMERO DE DIBUJO: F48E64A01
 ESCALA: NONE HOJA: 1

4

3

2

1



- NOTES:
1. FOR USE WITH 614129 OR 2513020-001 NAMEPLATE BLANKS
 2. _____ INDICATES DIMENSION LIMITS

DRAWING REVISION D	REVISION BY J. RUPERT	DATE 09-08-2022	TOLERANCES UNLESS OTHERWISE SPECIFIED	DRAWN BY: PZ	Regal Beloit America, Inc.	
ECO NMR-0216370	APPROVED BY J. RUPERT	DATE 09-08-2022	DEC. INCH mm ANGLE .X ±0.1 [±2.5] ±0.5° .XX ±0.02 [±0.51] .XXX ±0.005 [±0.127] XXXX ±0.0005 [±0.0127]	DATE: 04-12-2011		
ECO DESCRIPTION REVISED FOR UP ISSUE			REMOVE BURRS & BREAK SHARP EDGES .003/.015 [0.076/.381] X 45° CORNER FILLETS R.02 [51] MACHINED SURFACES .125/ mm 32/ INCH mm 32/ mm SHOWN IN [BRACKETS]	APPROVED BY: Tiger Wong	DESCRIPTION CONN-DIAGRAM NAMEPLATE	
<small> COPYRIGHT REGAL BELOIT AMERICA, INC. ALL RIGHTS RESERVED. PROPRIETARY AND CONFIDENTIAL INFORMATION - THIS DOCUMENT IS THE PROPERTY OF REGAL BELOIT AMERICA, INC. (OWNER) AND CONTAINS OWNER'S PROPRIETARY INFORMATION. ANY REPRODUCTION OR OTHER FORM RECEIVING IT IS DENIED. BY RECEIVING IT, TO AGREE THAT IT, AND/OR ANY PART OF IT, SHALL NOT BE DISCLOSED TO ANY PERSON, CORPORATION OR OTHER ENTITY, DUPLICATED, AND/OR USED, EXCEPT AS EXPRESSLY APPROVED IN WRITING IN ADVANCE BY OWNER. THIS DOCUMENT SHALL BE RETURNED TO OWNER UPON REQUEST. IT MAY BE SUBJECT TO CERTAIN RESTRICTIONS UNDER APPLICABLE EXPORT CONTROL LAWS AND REGULATIONS. </small>			DATE: 04-12-2011	REFERENCE	MATERIAL	PROCESS/FINISH
			THIRD ANGLE PROJECTION	SIZE DWG NO C 614131-106	SHEET 1	