

PRODUCT INFORMATION PACKET



Model No: SGF2034V4

Catalog No: SGF2034V4

Fan and Blower Motor, 1/3-1/10 HP, 1 Ph, 60 Hz, 115 V, 1800 RPM, 56Z Frame, OPEN



Regal and Century are trademarks of Regal Rexnord Corporation or one of its affiliated companies.

©2025 Regal Rexnord Corporation, All Rights Reserved. MC017097E





Nameplate Specifications

Phase	1	Output HP	1/3-1/10 Hp
Output KW	0.25 kW	Voltage	115 V
Speed	1725/1140 rpm	Service Factor	1.35
Frame	56Z	Enclosure	Open Enclosed
Thermal Protection	Automatic	Ambient Temperature	40 °C
Frequency	60 Hz	Current	6.7/3.3 A
Duty	Continuous	Insulation Class	B
UL	Recognized	CSA	Y
CE	N	Number of Speeds	1

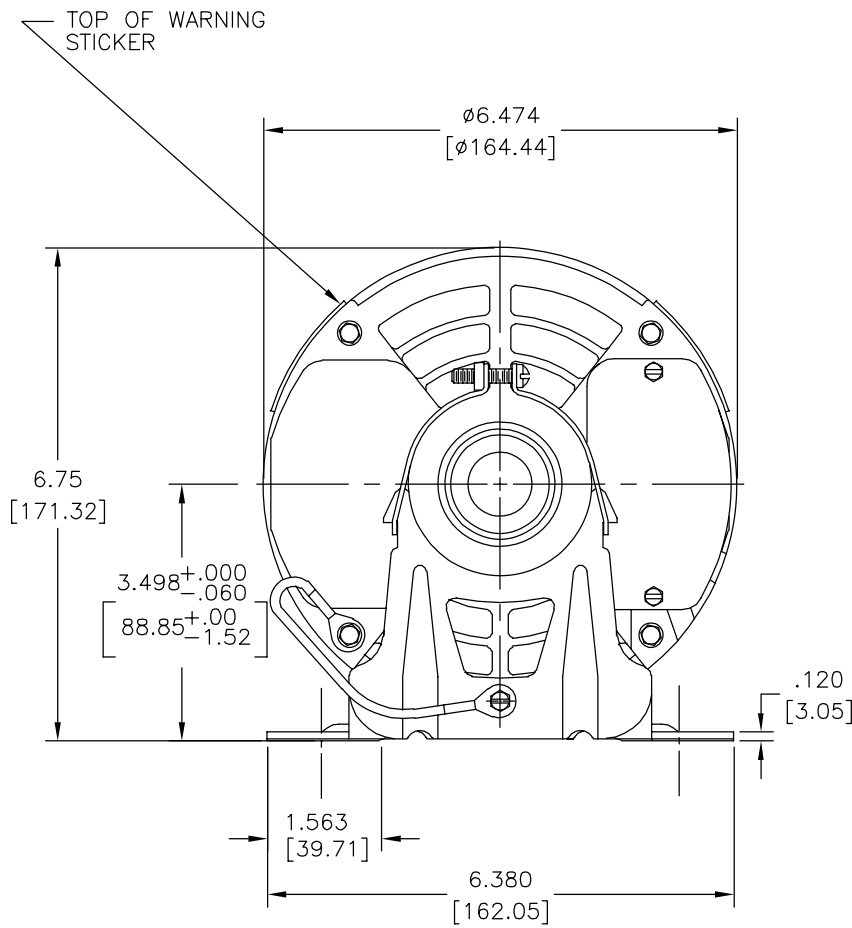
Technical Specifications

Electrical Type	Split Phase	Starting Method	Across The Line
Poles	4/6	Rotation	Reversible
Mounting	Resilient Base	Drive End Bearing	Sleeve
Opp Drive End Bearing	Sleeve	Frame Material	Rolled Steel
Shaft Type	Flat	Overall Length	9.97 in
Frame Length	5.19 in	Shaft Diameter	0.500 in
Shaft Extension	1.62 in		
Connection Drawing	620005-038A	Outline Drawing	SGF2034V4-S01

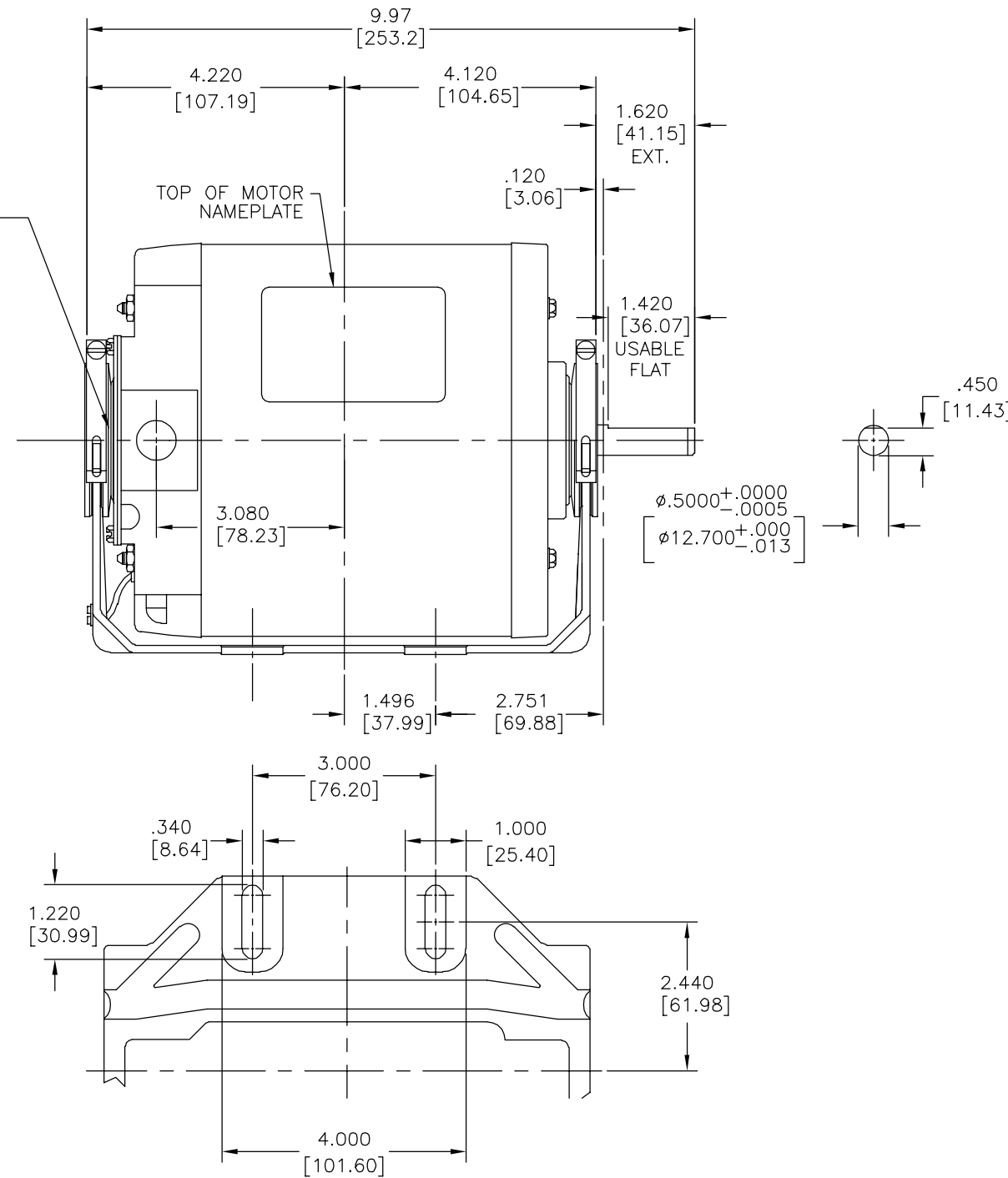
This is an uncontrolled document once printed or downloaded and is subject to change without notice. Date Created:02/13/2025

4 3 2 1

REV	ECO	REV BY	DATE	APPD	DATE
B	0025386	L. BERNAL	04-13-2012	D. BALDERRAMA	04-13-2012



1/2-14 PIPE TAP FOR CONDUIT CONNECTION (PLUGGED)



GEOMETRIC CHARACTERISTICS & SYMBOLS

- FLATNESS
- STRAIGHTNESS
- ∠ ANGULARITY
- ⊥ PERPENDICULARITY (SQUARENESS)
- ∥ PARALLELISM
- ROUNDNESS (CIRCULARITY)
- ⊘ CYLINDRICITY
- △ PROFILE OF ANY SURFACE
- ∩ PROFILE OF ANY LINE
- ↗ RUNOUT
- ⊕ TRUE POSITION
- ◎ CONCENTRICITY
- ≡ SYMMETRY

ASME Y14.5M 1994

UNLESS OTHERWISE SPECIFIED DIM. TOLERANCES ARE AS FOLLOWS:

INCH	±.1	±.02	±.005	±.0005
mm	±0.5	±0.13	±0.013	

ANG. ±.50 DEG
REMOVE BURRS & BREAK SHARP EDGES:
INCH .003-.015 mm 0.1-0.4
CORNER FILLETS TO:
INCH .020 mm 0.5
MACHINE SURFACES:
INCH 125 mm 3.2

METRIC DIMS. SHOWN IN [BRACKETS]

DR BY: MH 11-20-2008

APPD: AB 11-20-2008

THIRD ANGLE PROJECTION

EDS DATE 11-11-2011
FORMAT REV G

CONFIDENTIAL: THIS DRAWING AND ITS INFORMATION ARE THE EXCLUSIVE AND CONFIDENTIAL PROPERTY OF REGAL-BELOIT CORPORATION AND ARE NOT TO BE DISCLOSED, DUPLICATED, DISTRIBUTED OR OTHERWISE USED WITHOUT THE WRITTEN CONSENT OF REGAL-BELOIT CORPORATION. -ALL RIGHTS RESERVED.

REGAL-BELOIT CORPORATION

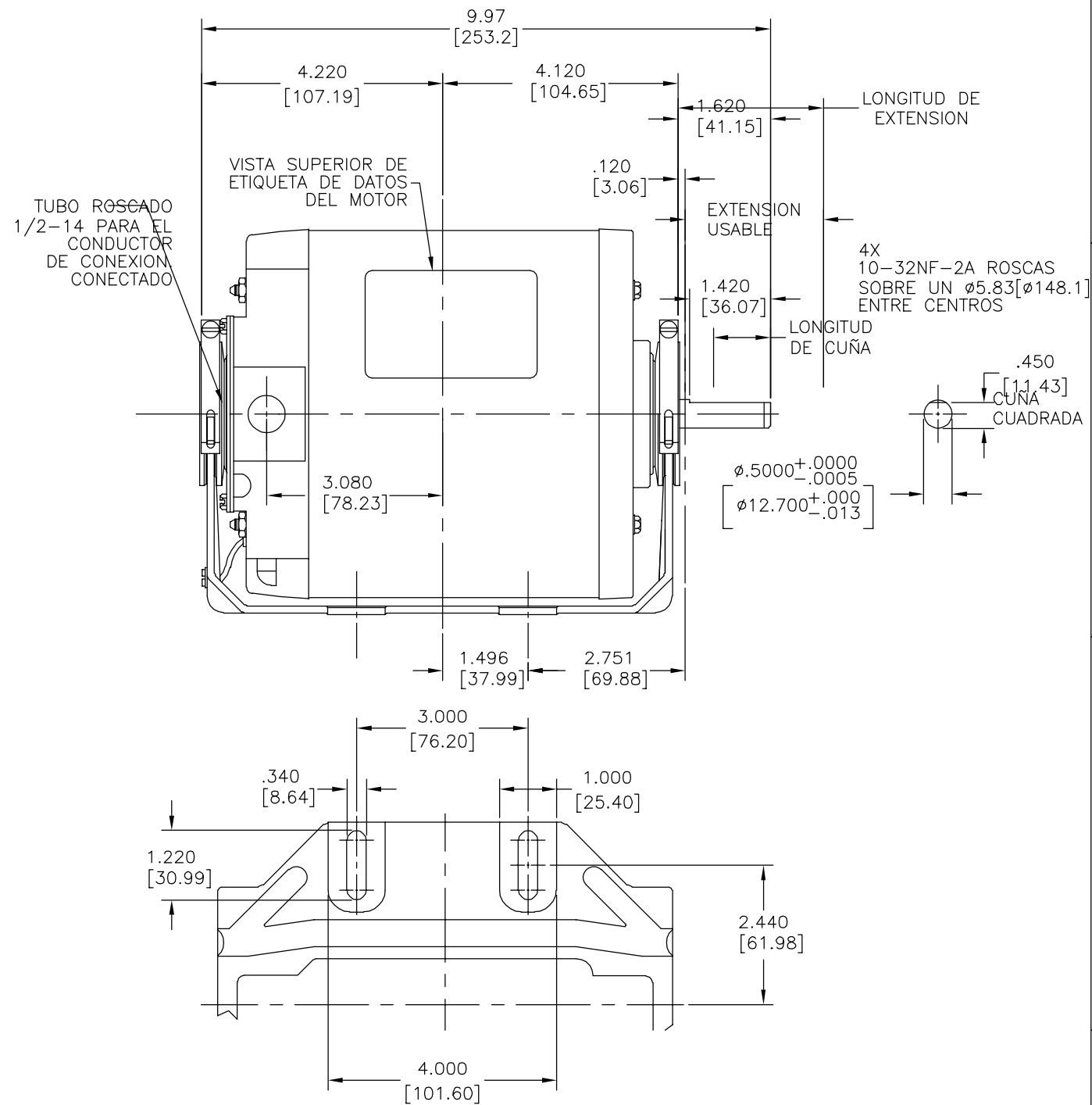
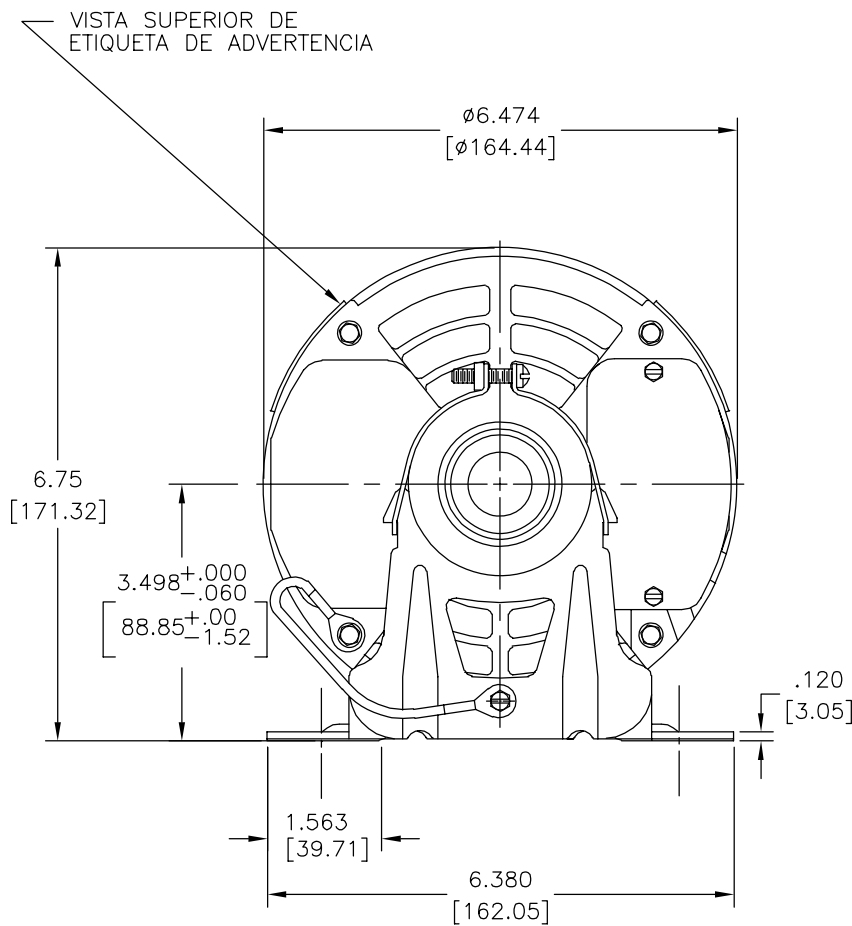
DESCRIPTION: OUTLINE

SIZE: C DWG NO: SGF2034V4

SCALE: NONE SHEET: 1

4 3 2 1

REVISION:	ECO	REVISADO POR:	FECHA:	APROBADO POR:	FECHA:
B	0025386	L. BERNAL	04-13-2012	D. BALDERRAMA	04-13-2012



NUM. MOTOR # CURVA DE FUNC. LONG. CARCAZA

LONGITUD EXTENSION LONGITUD # MODELO EXTENSION USABLE DE CUÑA GRAINGER

CARACTERISTICAS DE GEOMETRIA Y SIMBOLOS

- PLANICIDAD
- RECTITUD
- ∠ ANGULARIDAD
- ⊥ PERPENDICULARIDAD (A ESCUADRA)
- // PARALELISMO
- REDONDEZ (CIRCULARIDAD)
- ⊘ CILINDRICIDAD
- △ PERFIL DE CUALQUIER SUPERFICIE
- ∧ PERFIL DE CUALQUIER LINEA
- ∧ VARIACION
- ⊕ POSICION REAL
- ⊙ CONCENTRICIDAD
- = SIMETRIA

ASME Y14.5M 1994

A MENOS QUE SE ESPECIFIQUE DE OTRA MANERA, LAS TOLERANCIAS DE LAS DIMS; SON LAS SIGUIENTES:

PULG	±.1	±.02	±.005	±.0005
mm	±0.5	±0.13	±0.013	

ANG. ± 50 GRADOS

ELIMINAR REBABAS Y ORILLAS FILOSAS DEL BORDE.

PULG	.003-.015	mm	0.1-0.4
------	-----------	----	---------

FILETEAR ESQUINA: PULG .020 mm 0.5

MAQUINAR SUPERFICIES

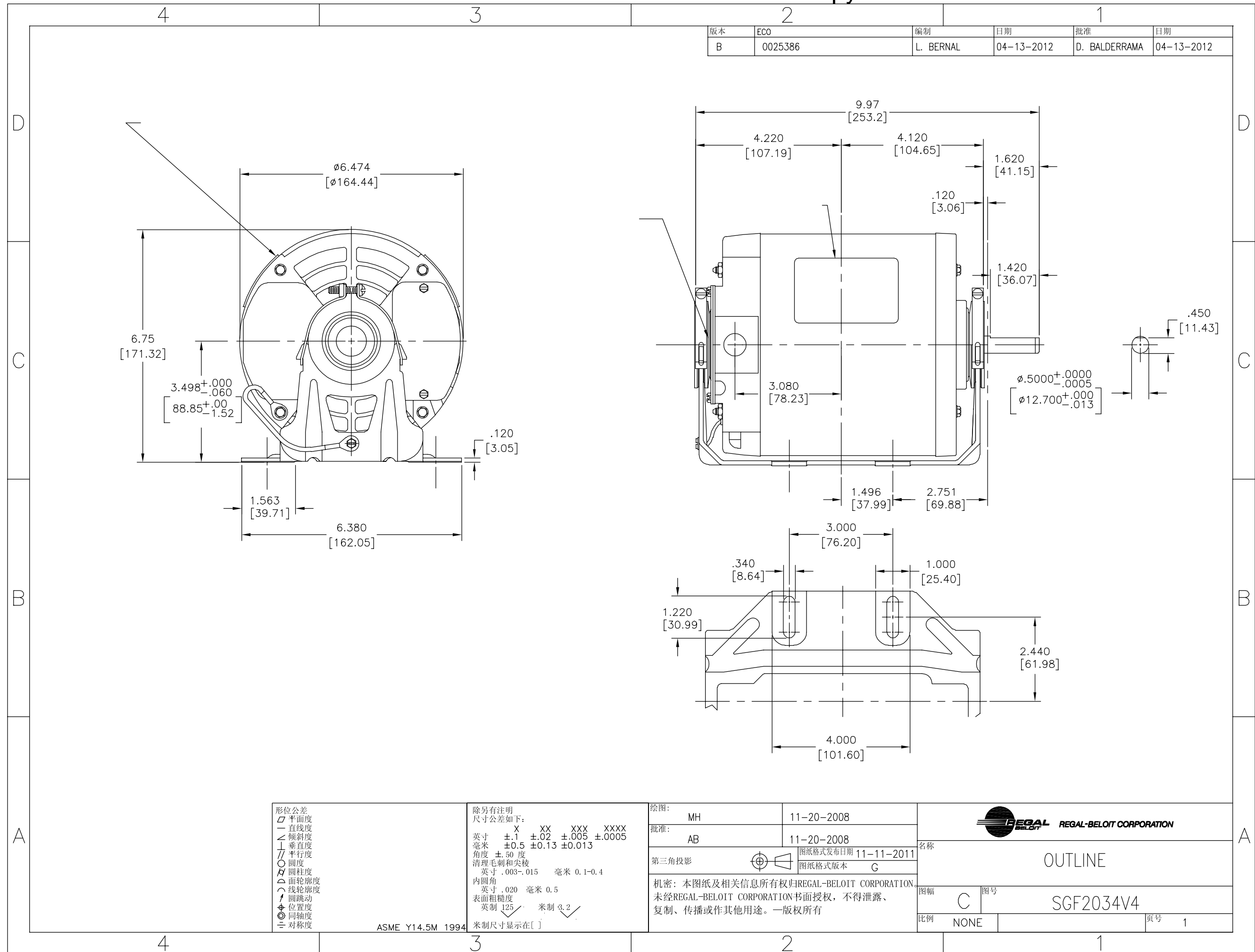
PULG 125 mm 3.2

DIMS METRICAS MOSTRADAS [PARENTESIS]

DIBUJADO POR:	MH	11-20-2008
APROBADO POR:	AB	11-20-2008
TERCER ANGULO DE PROYECCION	⊕	FECHA EDS: 11-11-2011 REV. FORMATO: G

CONFIDENCIAL: ESTE DIBUJO Y SU INFORMACION SON PROPIEDAD DE USO EXCLUSIVO Y CONFIDENCIAL DE REGAL-BELOIT CORPORATION. Y NO DEBERAN SER REVELADOS, DUPLICADOS, DISTRIBUIDOS O USARSE DE OTRA MANERA SIN EL CONSENTIMIENTO ESCRITO DE REGAL-BELOIT CORPORATION. -TODOS LOS DERECHOS RESERVADOS.

DESCRIPCION: OUTLINE	
TAMAÑO: C	NUMERO DE DIBUJO: SGF2034V4
ESCALA: NONE	HOJA: 1



形位公差

- 平面度
- 直线度
- ∠ 倾斜度
- ⊥ 垂直度
- ∥ 平行度
- 圆度
- ⊘ 圆柱度
- △ 面轮廓度
- ∩ 线轮廓度
- ↗ 圆跳动
- ⊕ 位置度
- ⊙ 同轴度
- ≡ 对称度

除另有注明
尺寸公差如下:

英寸	X	XX	XXX	XXXX
毫米	$\pm .1$	$\pm .02$	$\pm .005$	$\pm .0005$
英寸	$\pm .003$	$\pm .015$	毫米	0.1-0.4

内圆角
英寸 .020 毫米 0.5

表面粗糙度
英制 125 米制 3.2

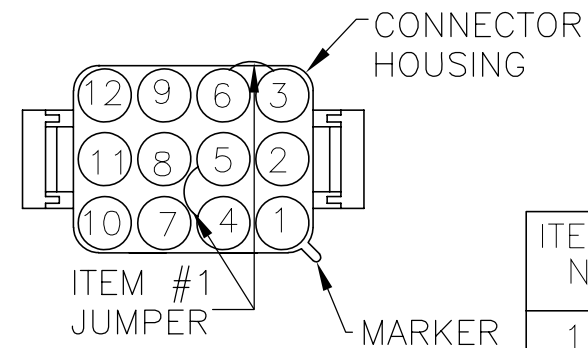
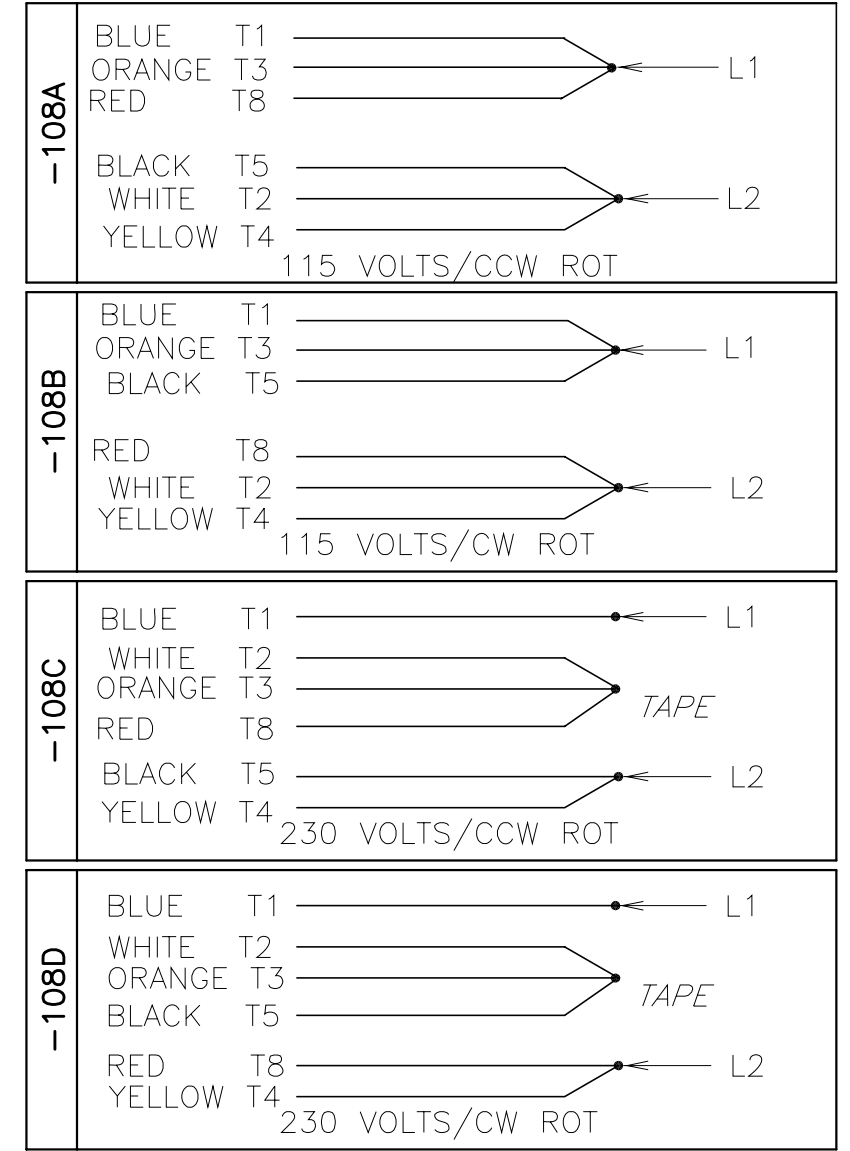
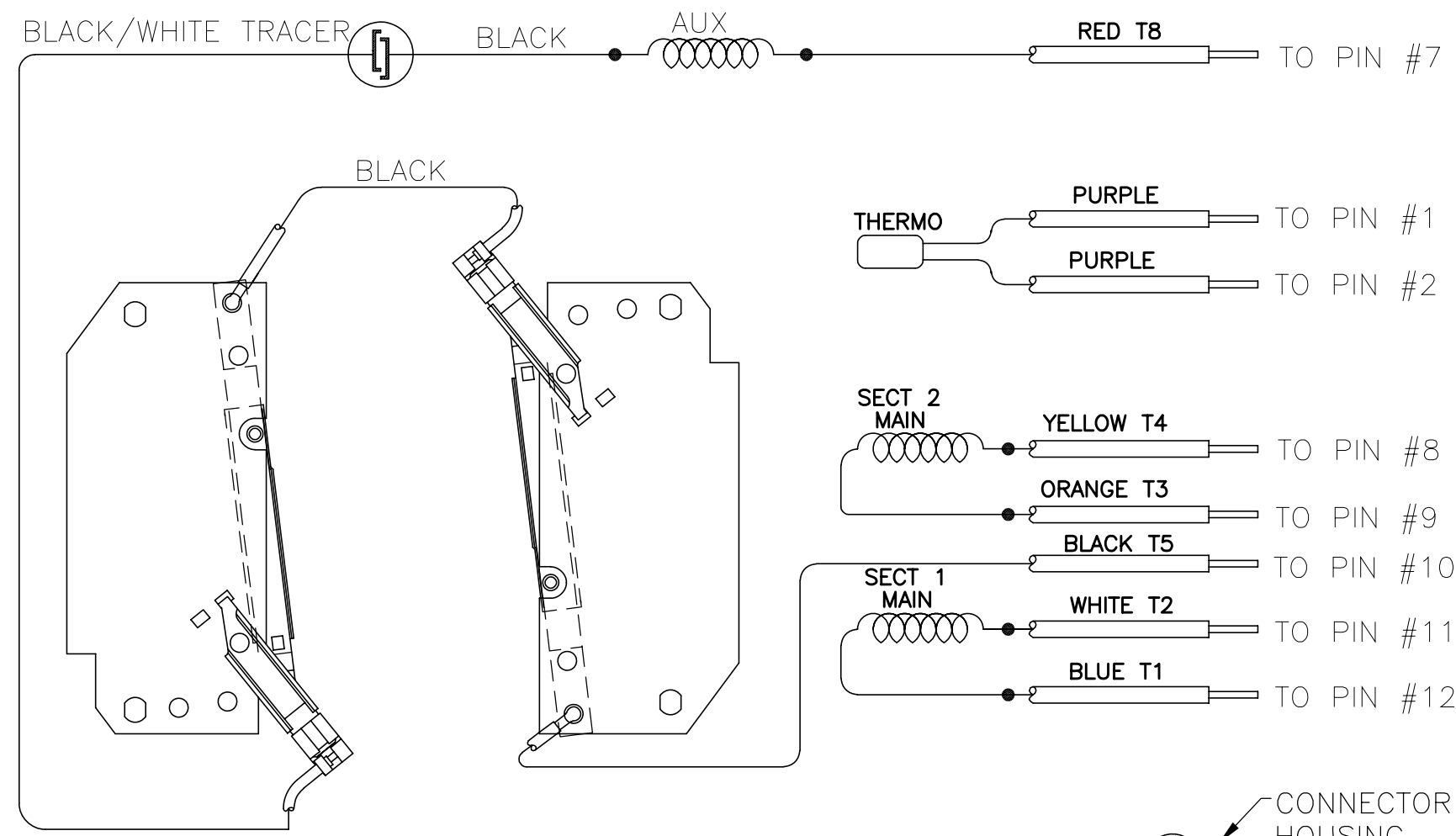
米制尺寸显示在 []

绘图:	MH	11-20-2008
批准:	AB	11-20-2008
第三角投影		图纸格式发布日期 11-11-2011 图纸格式版本 G
机密: 本图纸及相关信息所有权归REGAL-BELOIT CORPORATION 未经REGAL-BELOIT CORPORATION书面授权, 不得泄露、 复制、传播或作其他用途。一版权所有		

名称	OUTLINE
图幅	C
图号	SGF2034V4
比例	NONE
页号	1

4 3 2 1

REV	REFERENCE ECN	REFERENCE PROJECT	REV BY	DATE	APPD	DATE
B		03975801	Yan Z	03-19-2008	RArmen	04-02-2008



NOTES:
 1. ASSEMBLE LEADS PER PS-595
 2. (ENGR. REF.: 369C381H01 TERM. BOARDS)

ITEM NO.	QTY.	PART NUMBER	DESCRIPTION
1	2	058W18-PF-030-PF	LEAD TERMINAL ASSY

GEOMETRIC CHARACTERISTICS & SYMBOLS
 ▽ FLATNESS
 — STRAIGHTNESS
 < ANGLARITY
 ⊥ PERPENDICULARITY (SQUARENESS)
 // PARALLELISM
 ○ ROUNDNESS (CIRCULARITY)
 ∅ CYLINDRICITY
 △ PROFILE OF ANY SURFACE
 ∩ PROFILE OF ANY LINE
 ↑ RUNOUT
 ⊕ TRUE POSITION
 ⊙ CONCENTRICITY
 ≡ SYMMETRY

UNLESS OTHERWISE SPECIFIED
 DIM. TOLERANCES ARE AS FOLLOWS:
 INCH X XX XXX XXXX
 ±.1 ±.02 ±.005 ±.0005
 mm ±0.5 ±0.13 ±0.013
 ANG. ±.50 DEG
 REMOVE BURRS & BREAK SHARP EDGES:
 INCH .003-.015 mm 0.1-0.4
 CORNER FILLETS TO:
 INCH .020 mm 0.5
 MACHINE SURFACES:
 INCH 125 mm 3.2
 METRIC DIMS. SHOWN IN [BRACKETS]

DR BY:
 APPD:
 THIRD ANGLE PROJECTION
 EDS DATE 01-21-2007
 FORMAT REV E
 CONFIDENTIAL: THIS DRAWING AND ITS INFORMATION ARE THE EXCLUSIVE AND CONFIDENTIAL PROPERTY OF A.O. SMITH CORP. AND ARE NOT TO BE DISCLOSED, DUPLICATED, DISTRIBUTED OR OTHERWISE USED WITHOUT THE WRITTEN CONSENT OF A.O. SMITH CORP.
 -ALL RIGHTS RESERVED. ASME Y14.5M 1994

A.O. SMITH A DIVISION OF A. O. SMITH CORPORATION
 ELECTRICAL PRODUCTS COMPANY TIPP CITY, OHIO
 COPYRIGHT 1995

DESCRIPTION
CONN DIAGRAM - EXTERNAL

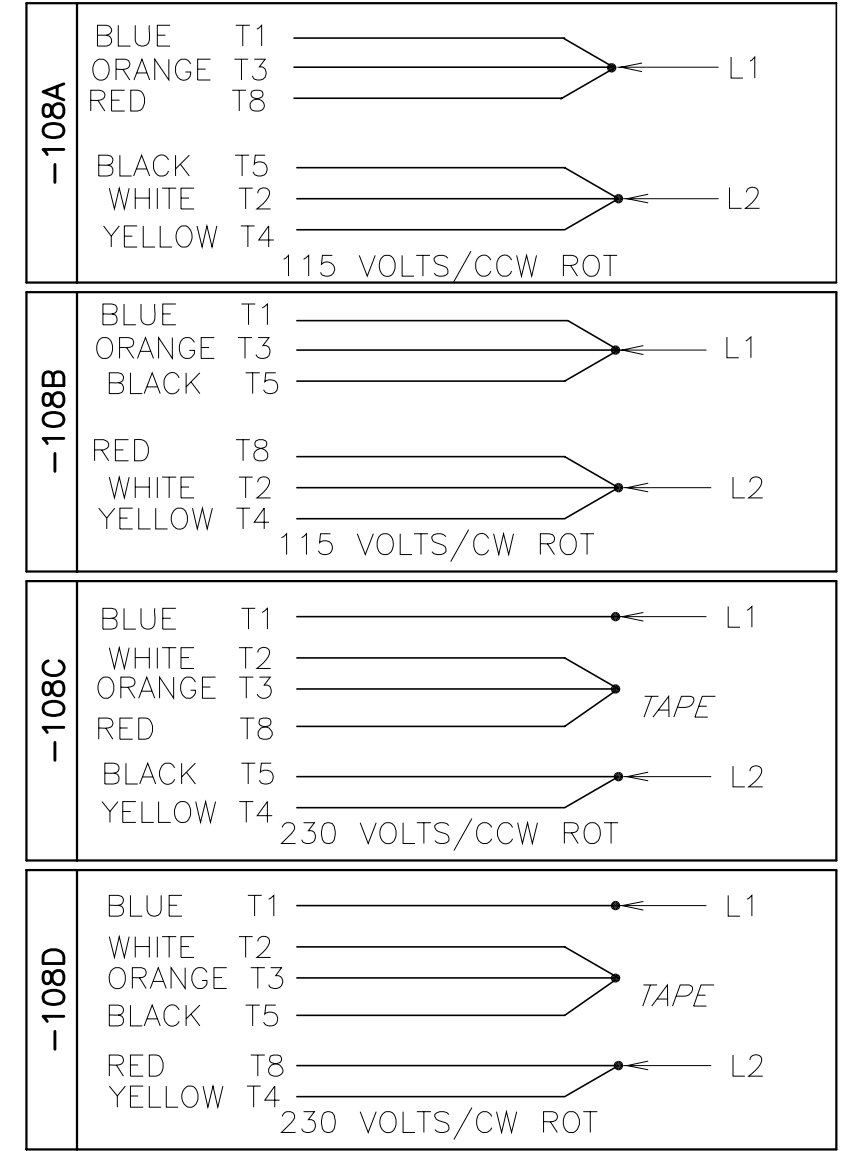
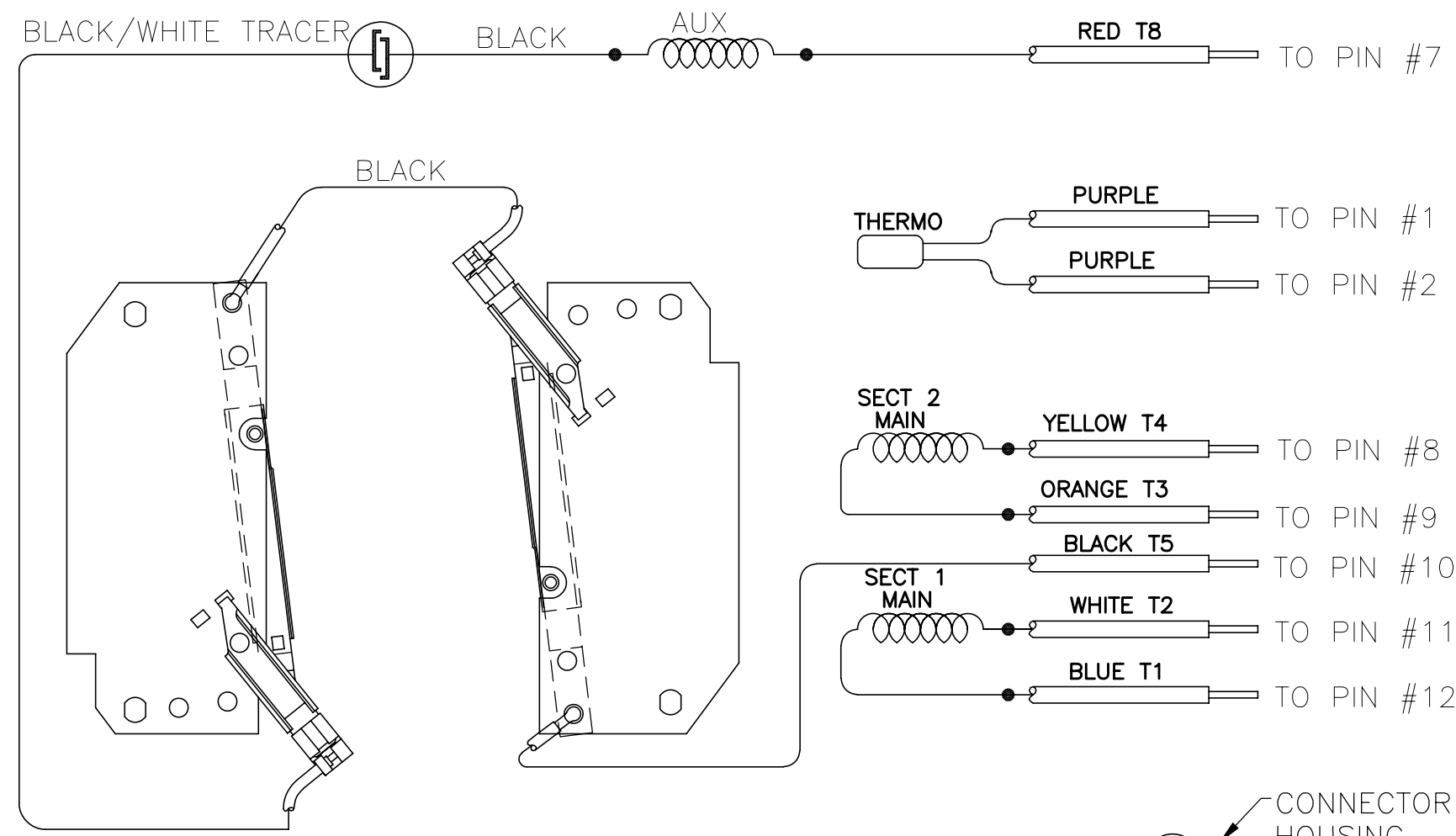
SIZE B DWG NO 620005-108

SCALE NONE SHEET 1

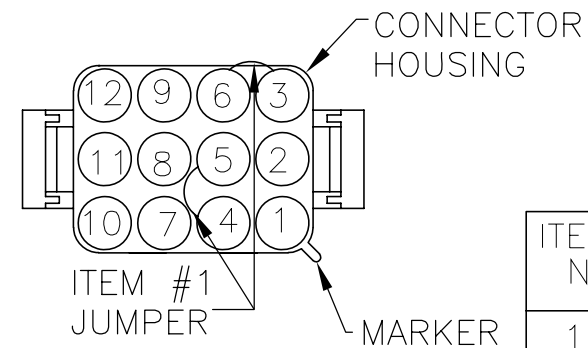
4 3 2 1

4 3 2 1

REVISION: B	ECN REFERENCIA:	PROYECTO REFERENCIA: 03975801	REVISADO POR: Yan Z	FECHA: 03-19-2008	APROBADO POR: RArmen	FECHA: 04-02-2008
----------------	-----------------	----------------------------------	------------------------	----------------------	-------------------------	----------------------



NOTES:
1. ASSEMBLE LEADS PER PS-595
2. (ENGR. REF.: 369C381H01 TERM. BOARDS)



ITEM NO.	QTY.	PART NUMBER	DESCRIPTION
1	2	058W18-PF-030-PF	LEAD TERMINAL ASSY

CARACTERISTICAS DE GEOMETRIA Y SIMBOLOS
 ▽ PLANICIDAD
 — RECTITUD
 < ANGULARIDAD
 ⊥ PERPENDICULARIDAD (A ESCUADRA)
 // PARALELISMO
 ○ REDONDEZ (CIRCULARIDAD)
 ∅ CILINDRICIDAD
 △ PERFIL DE CUALQUIER SUPERFICIE
 ∩ PERFIL DE CUALQUIER LINEA
 ↑ VARIACION
 ⊕ POSICION REAL
 ⊙ CONCENTRICIDAD
 ≡ SIMETRIA

A MENOS QUE SE ESPECIFIQUE DE OTRA MANERA, LAS TOLERANCIAS DE LAS DIMS; SON LAS SIGUIENTES:
 PULG ±.1 ±.02 ±.005 ±.0005
 mm ±0.5 ±0.13 ±0.013
 ANG. ±.50 GRADOS
 ELIMINAR REBABAS Y ORILLAS FILOSAS DEL BORDE.
 PULG .003-.015 mm 0.1-0.4
 FILETEAR ESQUINA: PULG .020 mm 0.5
 MAQUINAR SUPERFICIES
 PULG 125 mm 3.2
 DIMS METRICAS MOSTRADAS [PARENTESIS]

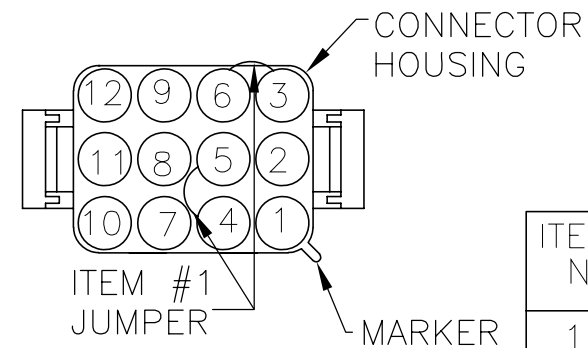
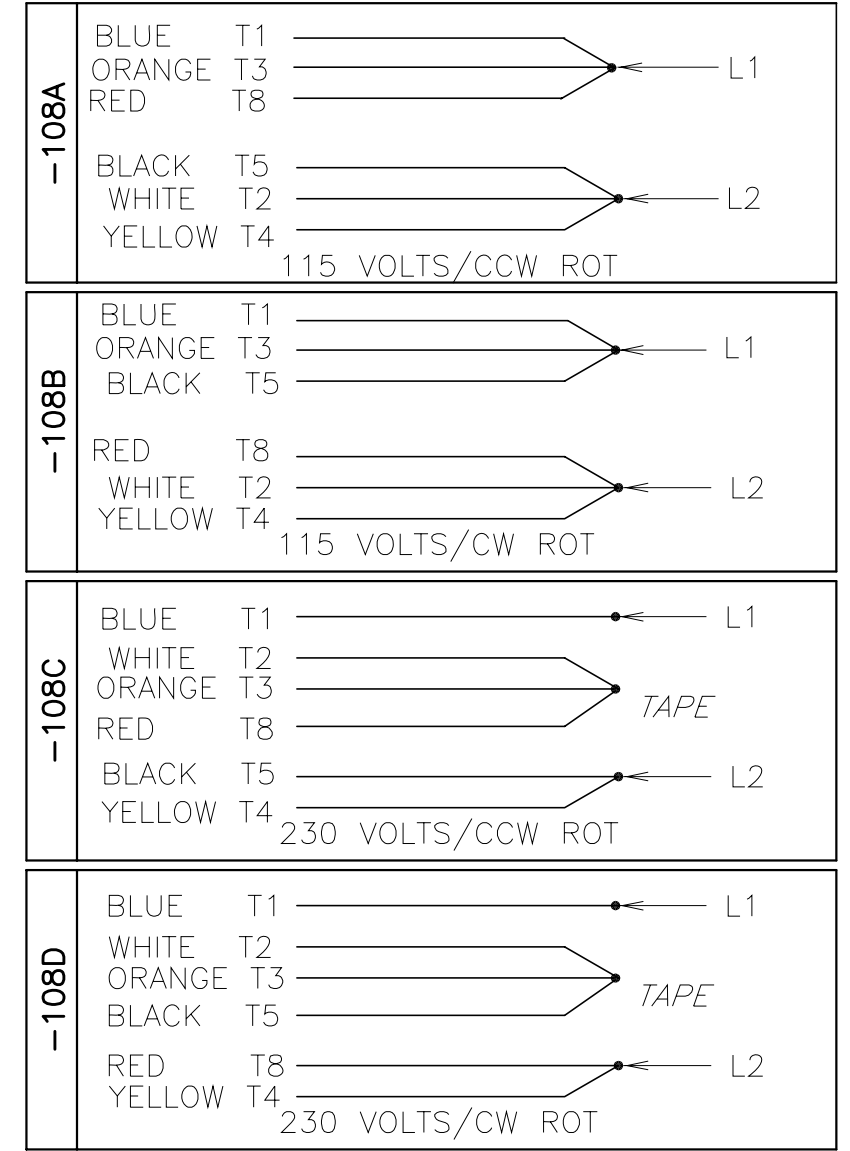
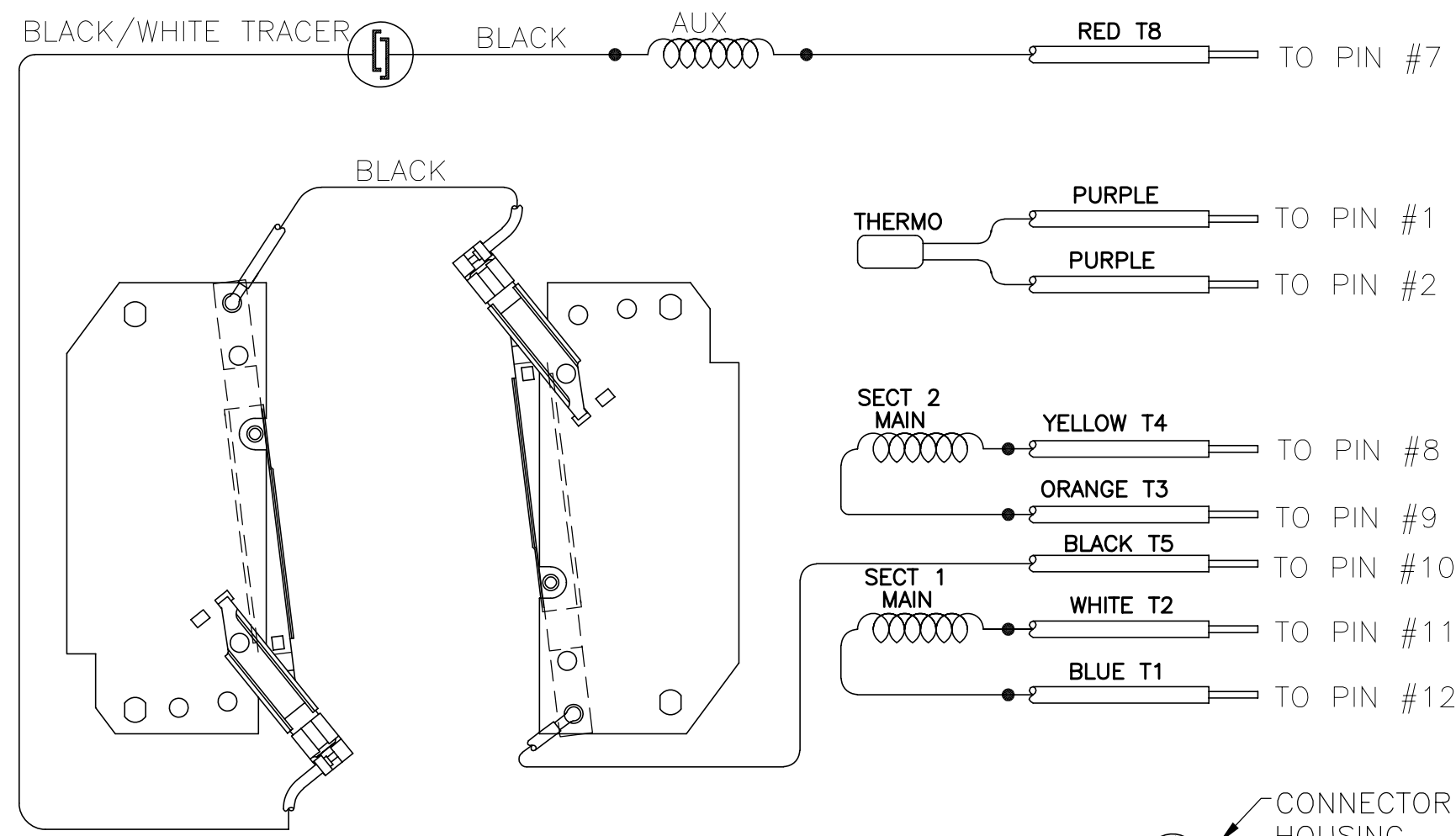
DIBUJADO POR:
 APROBADO POR:
 TERCER ANGULO DE PROYECCION
 CONFIDENCIAL: ESTE DIBUJO Y SU INFORMACION SON PROPIEDAD DE USO EXCLUSIVO Y CONFIDENCIAL DE A.O.SMITH CORP. Y NO DEBERAN SER REVELADOS, DUPLICADOS, DISTRIBUIDOS O USARSE DE OTRA MANERA SIN EL CONSENTIMIENTO ESCRITO DE A.O. SMITH CORP. -TODOS LOS DERECHOS RESERVADOS. ASME Y14.5M 1994

A.O. SMITH A DIVISION OF A. O. SMITH CORPORATION
 ELECTRICAL PRODUCTS COMPANY TIPP CITY, OHIO
 DESCRIPCION: **CONN DIAGRAM - EXTERNAL**
 TAMAÑO: B NUMERO DE DIBUJO: 620005-108
 ESCALA: NONE HOJA: 1

4 3 2 1

4 3 2 1

版本 B	更改通知号	项目号 03975801	编制 Yan Z	日期 03-19-2008	批准 RArmen	日期 04-02-2008
---------	-------	-----------------	-------------	------------------	--------------	------------------



NOTES:
1. ASSEMBLE LEADS PER PS-595
2. (ENGR. REF.: 369C381H01 TERM. BOARDS)

ITEM NO.	QTY.	PART NUMBER	DESCRIPTION
1	2	058W18-PF-030-PF	LEAD TERMINAL ASSY

- 形位公差
- 平面度
 - 直线度
 - ∠ 倾斜度
 - ⊥ 垂直度
 - // 平行度
 - 圆度
 - ∅ 圆柱度
 - △ 面轮廓度
 - ⌒ 线轮廓度
 - ↗ 圆跳动
 - ⊕ 位置度
 - ◎ 同轴度
 - ≡ 对称度

除另有注明
尺寸公差如下:

英寸	X	XX	XXX	XXXX
毫米	±.1	±.02	±.005	±.0005
英寸	.003-.015	毫米	0.1-0.4	

内圆角
英寸 .020 毫米 0.5

表面粗糙度
英制 125 米制 3.2

米制尺寸显示在 []

绘图:
批准:
第三角投影

图纸格式发布日期 01-21-2007
图纸格式版本 E

机密: 本图纸及相关信息所有权归A. O. SMITH公司所有。
未经A. O. SMITH公司书面授权, 不得泄露、复制、传播或作
其他用途。--版权所有

ASME Y14.5M 1994

A.O. SMITH A DIVISION OF A. O. SMITH CORPORATION
ELECTRICAL PRODUCTS COMPANY TIPP CITY, OHIO

名称: **CONN DIAGRAM - EXTERNAL**

图幅: B 图号: 620005-108

比例: NONE 页号: 1

4 3 2 1