

# PRODUCT INFORMATION PACKET



Model No: SGK2054V1  
Catalog No: SGK2054V1  
1/2-1/4,1140,OPEN,56,1/60/115  
Fan and Blower Motors



Regal and Century are trademarks of Regal Rexnord Corporation or one of its affiliated companies.  
©2021 Regal Rexnord Corporation, All Rights Reserved. MC017097E





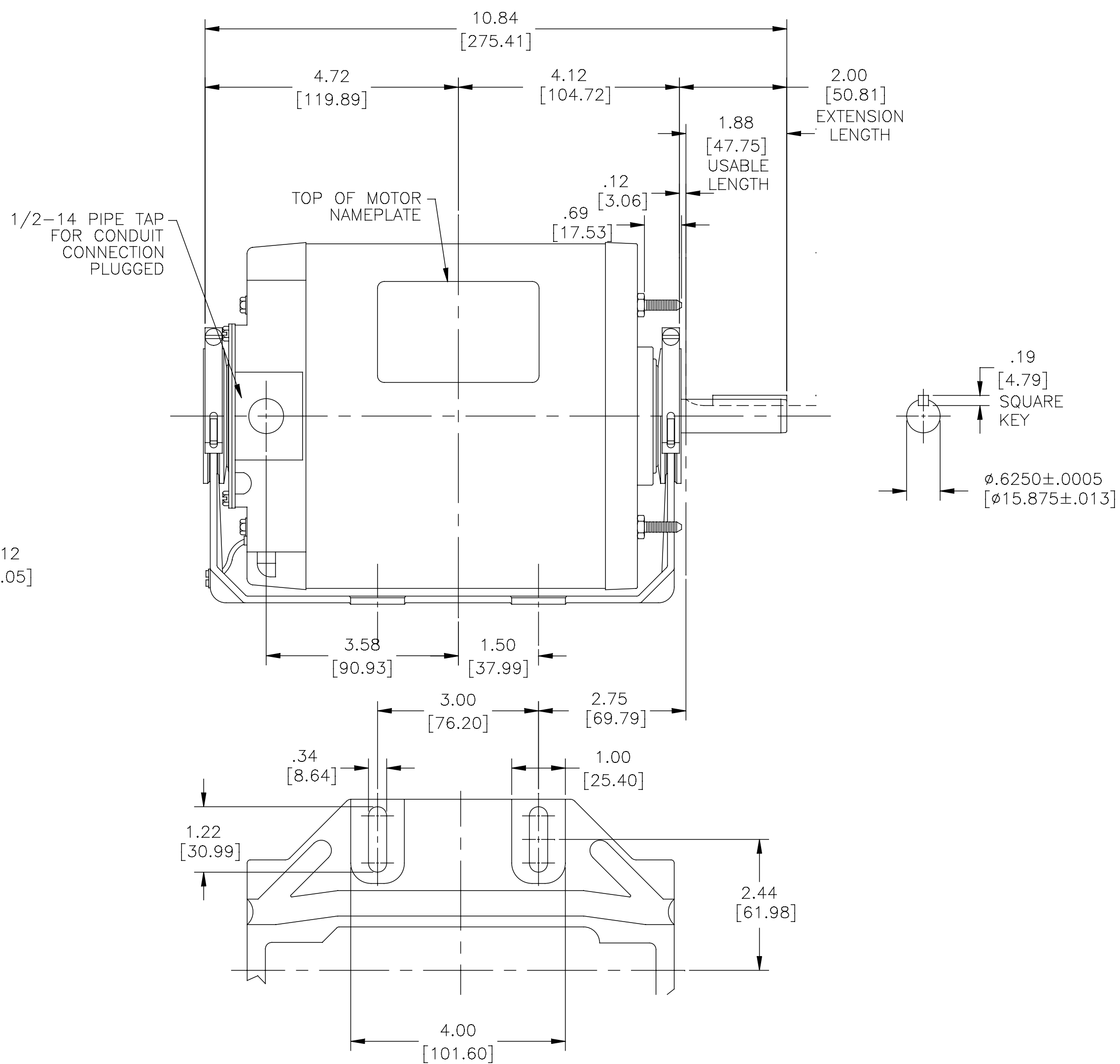
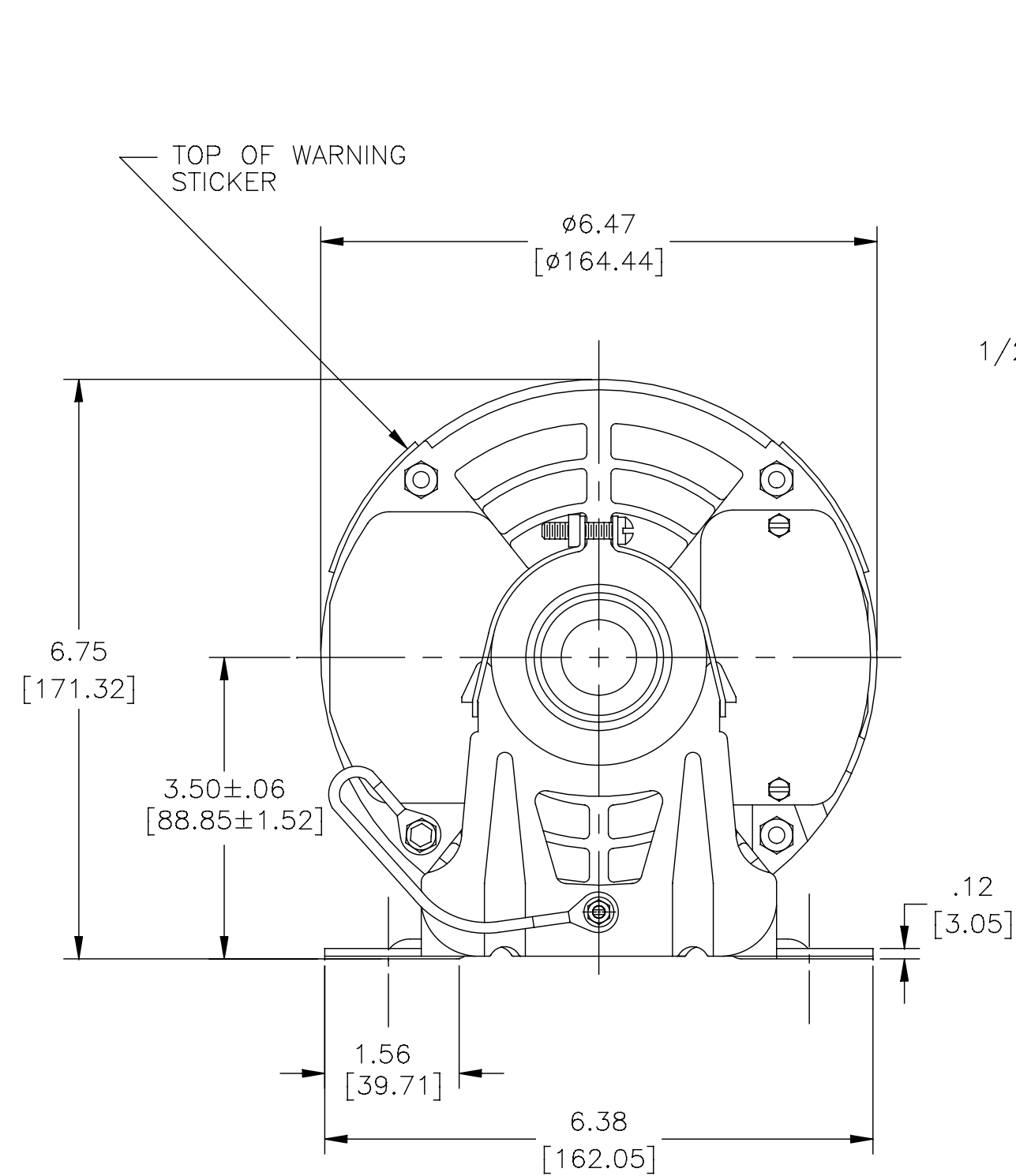
**Nameplate Specifications**

Output HP	<b>1/2-1/4 Hp</b>	Output KW	<b>0.37 kW</b>
Frequency	<b>60 Hz</b>	Voltage	<b>115 V</b>
Current	<b>8.6-6.0 A</b>	Speed	<b>1725-1140 rpm</b>
Service Factor	<b>1.15</b>	Phase	<b>1</b>
Duty	<b>Continuous</b>	Insulation Class	<b>B</b>
Frame	<b>56</b>	Enclosure	<b>Open Enclosed</b>
Thermal Protection	<b>Automatic</b>	Ambient Temperature	<b>40 °C</b>
UL	<b>No</b>	CSA	<b>Y</b>
CE	<b>N</b>	Number of Speeds	<b>1</b>

**Technical Specifications**

Electrical Type	<b>Split Phase</b>	Starting Method	<b>Across The Line</b>
Poles	<b>4/6</b>	Rotation	<b>Counterclockwise</b>
Mounting	<b>Resilient Base</b>	Drive End Bearing	<b>Sleeve</b>
Opp Drive End Bearing	<b>Sleeve</b>	Frame Material	<b>Rolled Steel</b>
Shaft Type	<b>Keyed</b>	Overall Length	<b>10.84 in</b>
Frame Length	<b>5.69 in</b>	Shaft Diameter	<b>0.625 in</b>
Shaft Extension	<b>1.88 in</b>		
Outline Drawing	<b>SGK2054V1</b>	Connection Drawing	<b>168A253F01</b>

This is an uncontrolled document once printed or downloaded and is subject to change without notice. Date Created:10/11/2021



DRAWING REVISION C	REVISION BY J.RUIZ	DATE 06-15-2015	TOLERANCES UNLESS OTHERWISE SPECIFIED DEC. INCH mm ANGLE .XX ±0.02 [±0.51] ±0.5° .XXX ±0.005 [±0.127] .XXXX ±0.0005 [±0.0127]	DRAWN BY: YX	<b>Regal Beloit America, Inc.</b>
ECO 0079027	APPROVED BY J.RUIZ	DATE 06-15-2015	REMOVE BURRS & BREAK SHARP EDGES .003/.015 [0.076/.381]	DATE: 12-19-2008	
ECO DESCRIPTION SEE ECO			CORNER FILLETS .02 [.51]	APPROVED BY: LH	DESCRIPTION OUTLINE
<small>COPYRIGHT REGAL BELOIT AMERICA, INC. ALL RIGHTS RESERVED. PROPRIETARY AND CONFIDENTIAL INFORMATION - THIS DOCUMENT IS THE PROPERTY OF REGAL BELOIT AMERICA, INC. (OWNER) AND CONTAINS OWNER'S PROPRIETARY INFORMATION. ANY PERSON, CORPORATION OR OTHER FIRM RECEIVING IT IS DEEMED, BY RECEIVING IT, TO AGREE THAT IT, AND/OR ANY PART OF IT, SHALL NOT BE DISCLOSED TO ANY PERSON, CORPORATION OR OTHER ENTITY, DUPLICATED, AND/OR USED, EXCEPT AS EXPRESSLY APPROVED IN WRITING IN ADVANCE BY OWNER. THIS DOCUMENT SHALL BE RETURNED TO OWNER UPON REQUEST. IT MAY BE SUBJECT TO CERTAIN RESTRICTIONS UNDER APPLICABLE EXPORT CONTROL LAWS AND REGULATIONS.</small>			MACHINED SURFACES $125 \sqrt{mm}$ $3.2 \sqrt{INCH}$	DATE: 12-19-2008	MATERIAL
			mm SHOWN IN [BRACKETS]	REFERENCE	PROCESS/FINISH
				THIRD ANGLE PROJECTION	SIZE DWG NO C SGK2054V1
					SHEET 1