

# PRODUCT INFORMATION PACKET



Model No: SN1202  
Catalog No: SN1202

Pool Pump Motor, 2.0 HP, 1 Ph, 60 Hz, 208-230 V, 3600 RPM, Y56J Frame, DP



Regal and Century are trademarks of Regal Rexnord Corporation or one of its affiliated companies.  
©2024 Regal Rexnord Corporation, All Rights Reserved. MC017097E





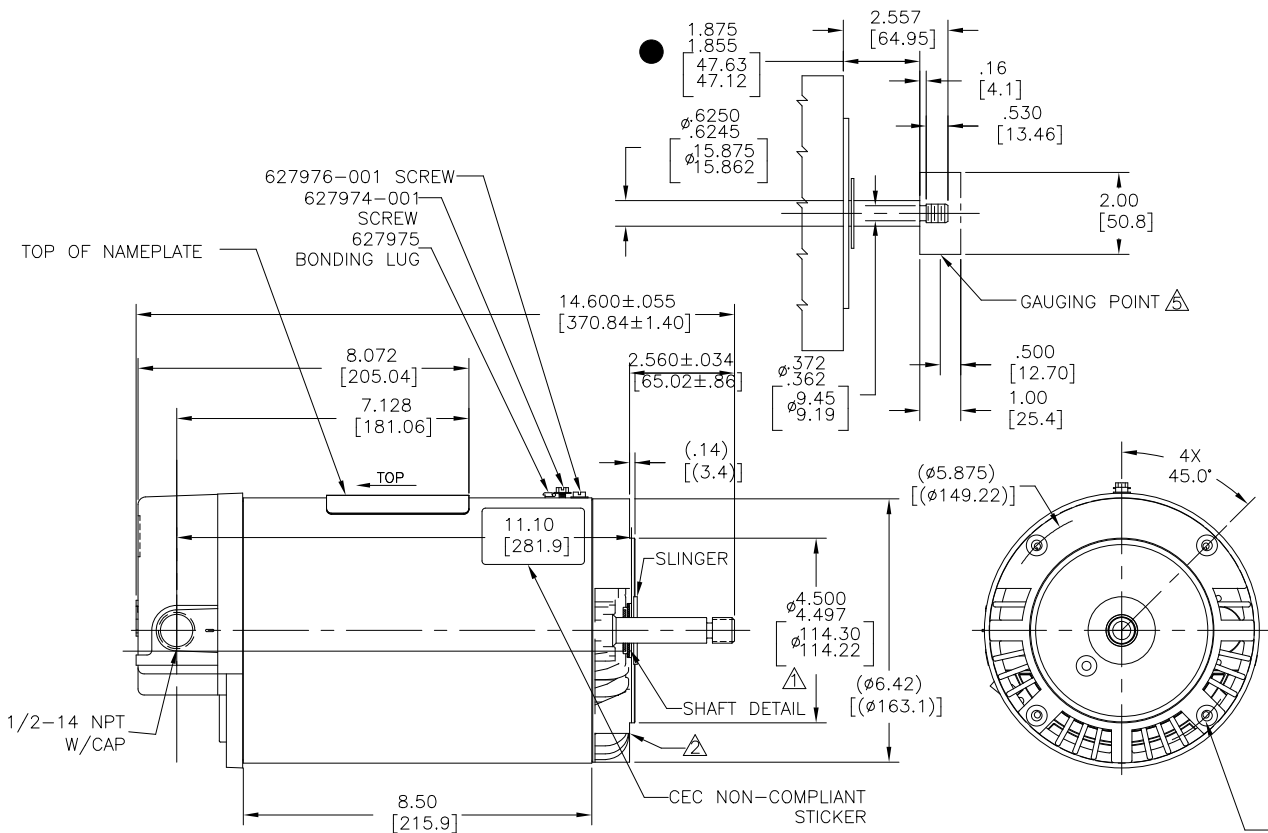
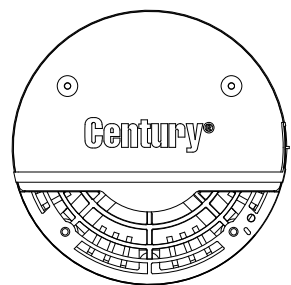
**Nameplate Specifications**

Phase	1	Output HP	2.0 Hp
Output KW	1.5 kW	Voltage	208-230 V
Speed	3450 rpm	Service Factor	1.35
Frame	Y56J	Enclosure	Drip Proof
Thermal Protection	Thermally Protected	Ambient Temperature	50 °C
Frequency	60 Hz	Current	SF 13.0-11.8 A
Duty	Continuous	Insulation Class	B
UL	Recognized	CSA	Y
Number of Speeds	1		

**Technical Specifications**

Electrical Type	Permanent Split Capacitor, Single Or Dual Voltage	Poles	2
Rotation	Counterclockwise Pump End	Mounting	Round
Motor Orientation	Horizontal	Drive End Bearing	Ball Brg
Opp Drive End Bearing	Ball	Frame Material	Rolled Steel
Shaft Type	7/16 Threaded	Overall Length	14.60 in
Frame Length	8.50 in	Shaft Diameter	0.625 in
Shaft Extension	2.557 in		
Connection Drawing	17050319.PCX	Outline Drawing	SN1202-S01

This is an uncontrolled document once printed or downloaded and is subject to change without notice. Date Created:04/29/2024



NAMEPLATE DATA	EXTERNAL CONNECTION DIAGRAM	NOTES
MODEL: 1936880J CUST PN: SN1202 HP: 2.0 SF: 1.35 ROT: CCWPE RPM: 3450 TYPE: CX CODE: F FORM: FRAME: Y 56 J VOLTS: 208-230 AMPS: MAX AMPS: SF AMPS: 13.0-11.8 PH: 1 HZ: 60 INS: B AMB: 50° DUTY: CONT ENCLOSURE: ODP THERMALLY PROTECTED		<ul style="list-style-type: none"> <li>● ⚠ PILOT DIAMETER IS CONCENTRIC WITH SHAFT CENTERLINE WITHIN .004[.10] T.I.R.</li> <li>● ⚠ FACE OF MOUNTING FLANGE IS PERPENDICULAR TO SHAFT CENTERLINE WITHIN .004[.10] T.I.R.</li> <li>3. SHAFT RUNOUT NOT TO EXCEED .002[.05] T.I.R.</li> <li>4. FOR THREADED SHAFT EXT. MATING, PARTS SHOULD BE RELIEVED ONE THREAD TO CLEAR FILLET.</li> <li>5. FOR THREADED SHAFT EXT. ECCENTRICITY OF THREADED PORTION OF SHAFT IS HELD WITHIN .004[.10] TOTAL GAUGE READING WITH THE INDICATOR ON O.D. OF GROUND RING GAGE AS SHOWN. THE GAGE BEING STATIONARY WITH RESPECT TO THE ROTOR.</li> <li>6. END PLAY NOT TO EXCEED .010[.25] MEASURED WITH NO THRUST.</li> <li>● ⚠ FRONT END FRAME TO BE ALIGNED WITH BACK END FRAME TO WITHIN ±1° RADIAL ALIGNMENT ±.060[±1.52]</li> <li>8. ● = CRITICAL DIMENSION</li> </ul>

PERFORMANCE CURVE	APPROVED SAMPLE		
19238111			
UL COMPONENT	CSA		
FILE#	CCN#	FILE#	GUIDE#
PENDING	PENDING	PENDING	PENDING
CUSTOMER	DISTRIBUTION		

DRAWING REVISION: F	REVISION BY: S JIMENEZ	DATE: 4-23-2024	TOLERANCES UNLESS OTHERWISE SPECIFIED	DRAWN BY: TH	
ECR-0233416	S JIMENEZ	4-23-2024	DEC. INCH mm ANGLE	DATE: 10-27-2010	
SEE ECR			.X ±0.1 [±2.5] ±0.5°	APPROVED BY: TZ	DESCRIPTION: MODEL-CFHP-56FR OUTLINE
			.XX ±0.02 [±0.51]	DATE: 10-27-2010	MATERIAL: PROCESS/FINISH:
			.XXX ±0.005 [±0.127]	REFERENCE:	SIZE DWG NO: SN1202
			XXXX ±0.0005 [±0.0127]	THIRD ANGLE PROJECTION	SHEET 1
			REMOVE BURRS & BREAK SHARP EDGES .003/.015 [0.076/.381] X 45°		
			CORNER FILLETS R.02 [.51]		
			MACHINED SURFACES .125/ mm 3/2		
			mm SHOWN IN [BRACKETS]		