

# PRODUCT INFORMATION PACKET



Model No: STG1102A

Catalog No: STG1102A

Guardian ® Motors Pool Pump Motor, 1 HP, 1 Ph, 60 Hz, 230/115 V, 3600 RPM, 56J Frame, ODP



Regal and Century are trademarks of Regal Rexnord Corporation or one of its affiliated companies.  
©2022 Regal Rexnord Corporation, All Rights Reserved. MC017097E





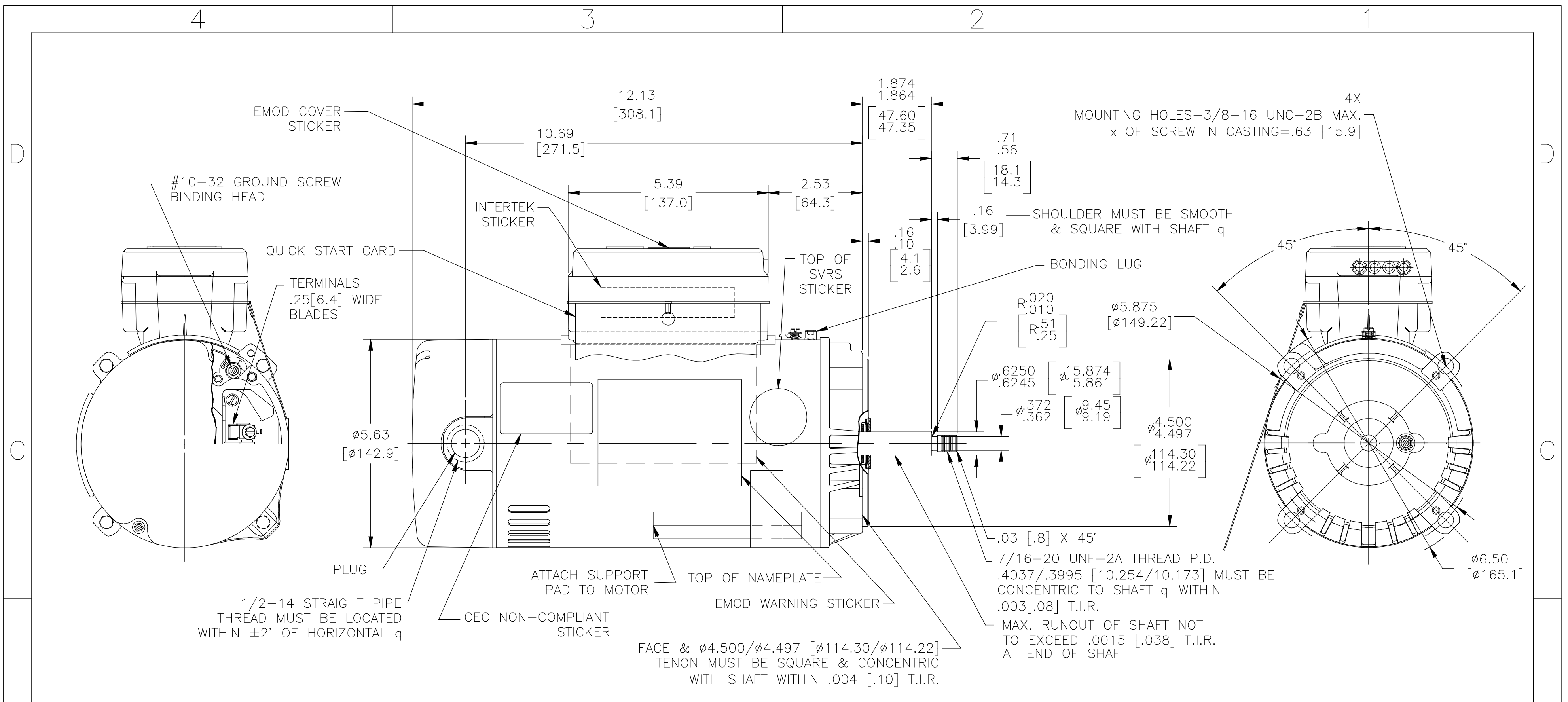
**Nameplate Specifications**

Output HP	1 Hp	Output KW	0.75 kW
Frequency	60 Hz	Voltage	230/115 V
Current	9.3/18.6 A	Speed	3450 rpm
Service Factor	1.5	Phase	1
Duty	Continuous	Insulation Class	B
Frame	56J	Enclosure	Open Drip Proof
Thermal Protection	Automatic	Ambient Temperature	50 °C
UL	Recognized	CSA	Y

**Technical Specifications**

Electrical Type	Cap Start Motor	Poles	2
Rotation	Counterclockwise Pump End	Mounting	Round
Motor Orientation	Horizontal	Drive End Bearing	Ball
Opp Drive End Bearing	Ball	Frame Material	Rolled Steel
Shaft Type	7/16 Threaded	Overall Length	14.50 in
Frame Length	8.75 in	Shaft Diameter	0.625 in
Shaft Extension	2.56 in		
Outline Drawing	STG1102A-S01		

This is an uncontrolled document once printed or downloaded and is subject to change without notice. Date Created:11/29/2022



NAMEPLATE DATA	EXTERNAL CONNECTION DIAGRAM	NOTES
MODEL: C48AA45A01 CUST PN: STG1102A HP: 1 SF: 1.5 ROT: CCWPE RPM: 3450 TYPE: UAC CODE: L FORM: FRAME: 56 J VOLTS: 230/115 AMPS: MAX_AMPS: 9.3/18.6 SF_AMPS: PH: 1 HZ: 60 INS: B AMB: 50°C DUTY: CONT ENCLOSURE: ODP THERMALLY PROTECTED		<ol style="list-style-type: none"> <li>1. FINISH PAINT TO BE SATIN BLACK.</li> <li>2. .44[11.2] WRENCH FLATS ON SHAFT-FOR ACCESS TO THIS WRENCH FLAT REMOVE END COVER.</li> <li>3. STAINLESS STEEL SHAFT EXTENSION.</li> <li>4. LIMITS ON AMPLITUDE OF VIBRATION MEASURED AT BEARING HOUSING = .001[.03].</li> <li>5. DUAL VOLTAGE MOTORS ARE TO BE CONNECTED FOR HIGHER VOLTAGE. QUICK VOLTAGE CHANGE DIAL INCLUDED ON THE TERMINAL BOARD.</li> </ol>

PERFORMANCE CURVE	APPROVED SAMPLE		
C48L2W36			
UL COMPONENT	CSA		
FILE#	CCN#	FILE#	GUIDE#
PENDING	PENDING	PENDING	PENDING
CUSTOMER	DIST. SERVICES		

DRAWING REVISION	REVISION BY	DATE	TOLERANCES UNLESS OTHERWISE SPECIFIED	DRAWN BY:	REGAL™ Regal Beloit America, Inc.
E			DEC. INCH mm ANGLE	JHENRY	
ECO	APPROVED BY	DATE	.X ±0.1 [±2.5] ±0.5°	DATE:	DESCRIPTION
ECO-0165900	-	-	.XX ±0.02 [±0.51]	03-24-2009	
ECO DESCRIPTION			.XXX ±0.005 [±0.127]	APPROVED BY:	MODEL-PFHP-48FR OUTLINE
SEE ECO			.XXXX ±0.0005 [±0.0127]	DATE:	
<small>COPYRIGHT REGAL BELOIT AMERICA, INC. ALL RIGHTS RESERVED. PROPRIETARY AND CONFIDENTIAL INFORMATION - THIS DOCUMENT IS THE PROPERTY OF REGAL BELOIT AMERICA, INC. (OWNER) AND CONTAINS OWNER'S PROPRIETARY INFORMATION. ANY PERSON, CORPORATION OR OTHER FIRM RECEIVING IT IS DEEMED, BY RECEIVING IT, TO AGREE THAT IT, AND/OR ANY PART OF IT, SHALL NOT BE DISCLOSED TO ANY PERSON, CORPORATION OR OTHER ENTITY, DUPLICATED, AND/OR USED, EXCEPT AS EXPRESSLY APPROVED IN WRITING IN ADVANCE BY OWNER. THIS DOCUMENT SHALL BE RETURNED TO OWNER UPON REQUEST. IT MAY BE SUBJECT TO CERTAIN RESTRICTIONS UNDER APPLICABLE EXPORT CONTROL LAWS AND REGULATIONS.</small>			REMOVE BURRS & BREAK SHARP EDGES .003/.015 [0.076/.381] CORNER FILLETS .02 [51] MACHINED SURFACES 125/3.2 INCH/mm	REFERENCE MATERIAL PROCESS/FINISH THIRD ANGLE PROJECTION	SIZE DWG NO. SHEET C STG1102A 1