

# PRODUCT INFORMATION PACKET



Model No: SV2104L

Catalog No: SV2104L

Refrigeration Motor, 1 1/3 HP, 1 Ph, 60 Hz, 115 V, 1800 RPM, 56Z Frame, OPEN



Regal and Century are trademarks of Regal Rexnord Corporation or one of its affiliated companies.  
©2022 Regal Rexnord Corporation, All Rights Reserved. MC017097E





**Nameplate Specifications**

Output HP	1 1/3 Hp	Output KW	0.99 kW
Frequency	60 Hz	Voltage	115 V
Current	12.7/7.6 A	Speed	1725/1140 rpm
Service Factor	1	Phase	1
Duty	Continuous	Insulation Class	B
Frame	56Z	Enclosure	Open Enclosed
Thermal Protection	Automatic	Ambient Temperature	40 °C
UL	No	CSA	Y
CE	N	Number of Speeds	2

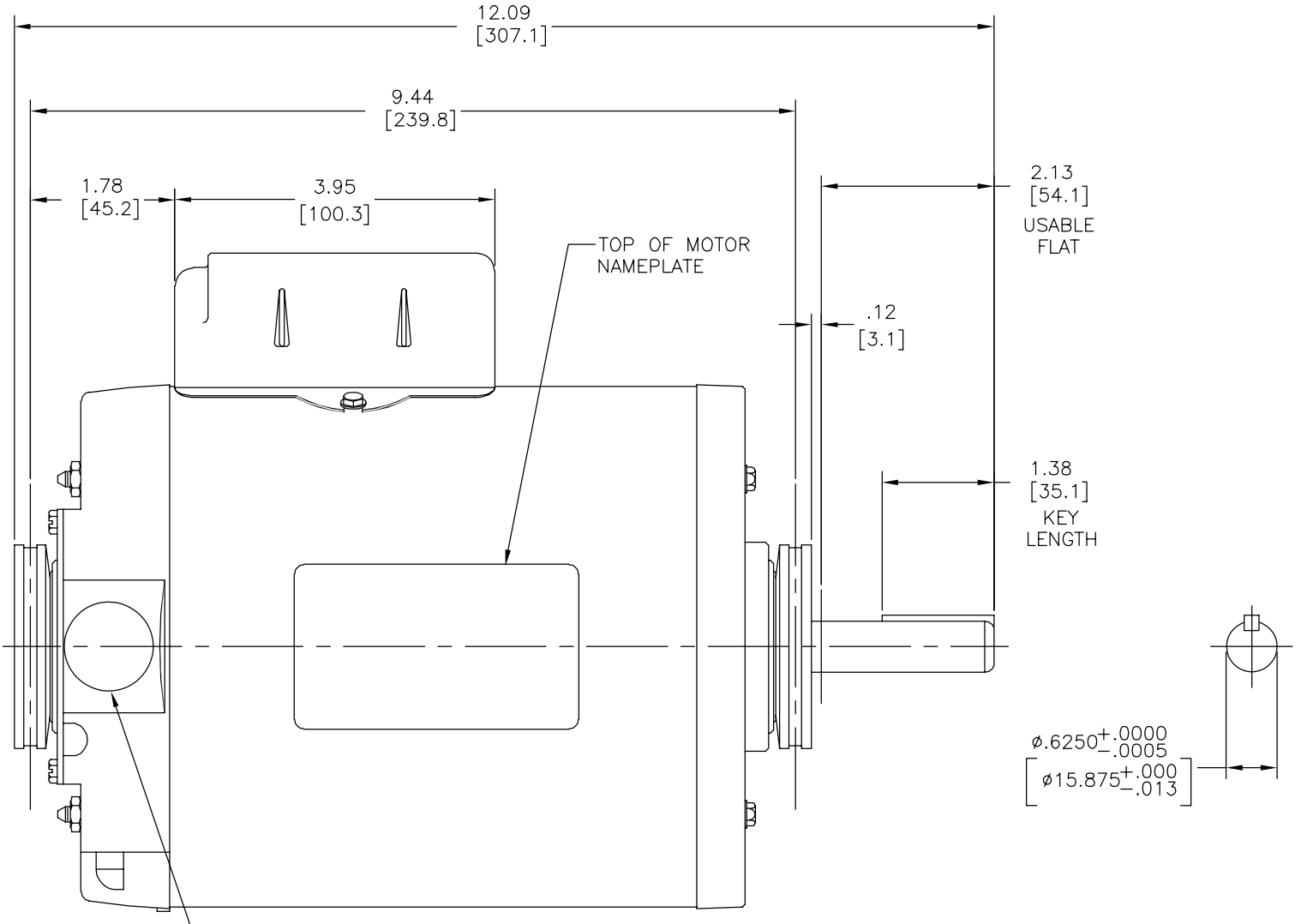
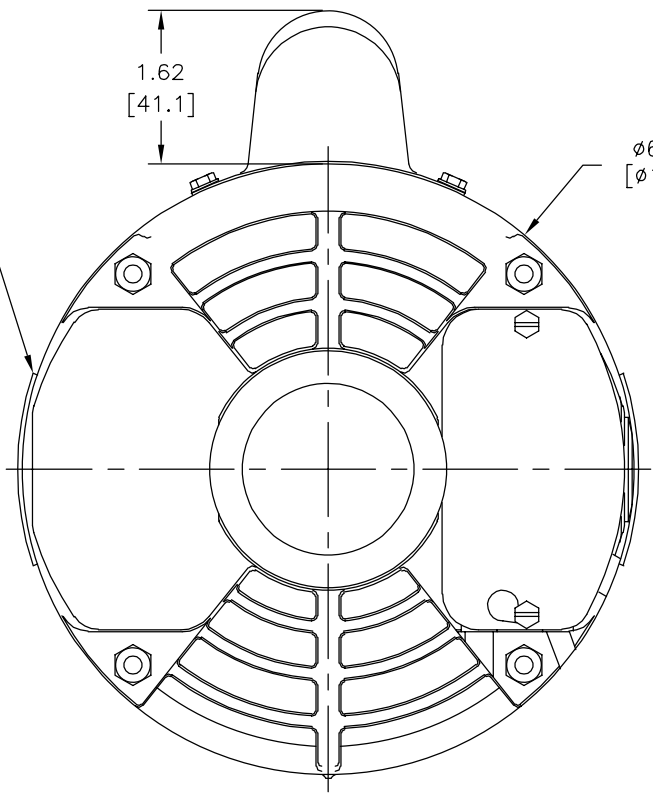
**Technical Specifications**

Electrical Type	Capacitor Start Induction Run	Starting Method	Across The Line
Poles	4/6	Rotation	Counterclockwise Lead End
Mounting	Resilient Base	Drive End Bearing	Sleeve
Opp Drive End Bearing	Sleeve	Frame Material	Rolled Steel
Shaft Type	Keyed	Overall Length	12.09 in
Frame Length	6.69 in	Shaft Diameter	0.625 in
Shaft Extension	2.13 in		
Connection Drawing	620005-040	Outline Drawing	SV2104L

This is an uncontrolled document once printed or downloaded and is subject to change without notice. Date Created:11/28/2022

REV	ECO	REV BY	DATE	APPD	DATE
C	0029871	E.SINECIO	12-17-2012	G.ALVIDREZ	12-17-2012

TOP OF WARNING STICKER



1/2-14 PIPE TAP FOR CONDUIT CONNECTION (PLUGGED)

GEOMETRIC CHARACTERISTICS & SYMBOLS

- ▮ FLATNESS
- STRAIGHTNESS
- ∠ ANGULARITY
- ⊥ PERPENDICULARITY (SQUARENESS)
- // PARALLELISM
- ROUNDNESS (CIRCULARITY)
- ⊘ CYLINDRICITY
- △ PROFILE OF ANY SURFACE
- ∩ PROFILE OF ANY LINE
- ↯ RUNOUT
- ⊕ TRUE POSITION
- ◎ CONCENTRICITY
- ≡ SYMMETRY

ASME Y14.5M 1994

UNLESS OTHERWISE SPECIFIED DIM. TOLERANCES ARE AS FOLLOWS:

INCH	X	XX	XXX	XXXX
mm	±0.5	±0.13	±0.013	±0.005

ANG. ±50 DEG  
REMOVE BURRS & BREAK SHARP EDGES:  
INCH .003-.015 mm 0.1-0.4  
CORNER FILLETS TO:  
INCH .020 mm 0.5  
MACHINE SURFACES:  
INCH 125 mm 3.2

METRIC DIMS. SHOWN IN [BRACKETS]

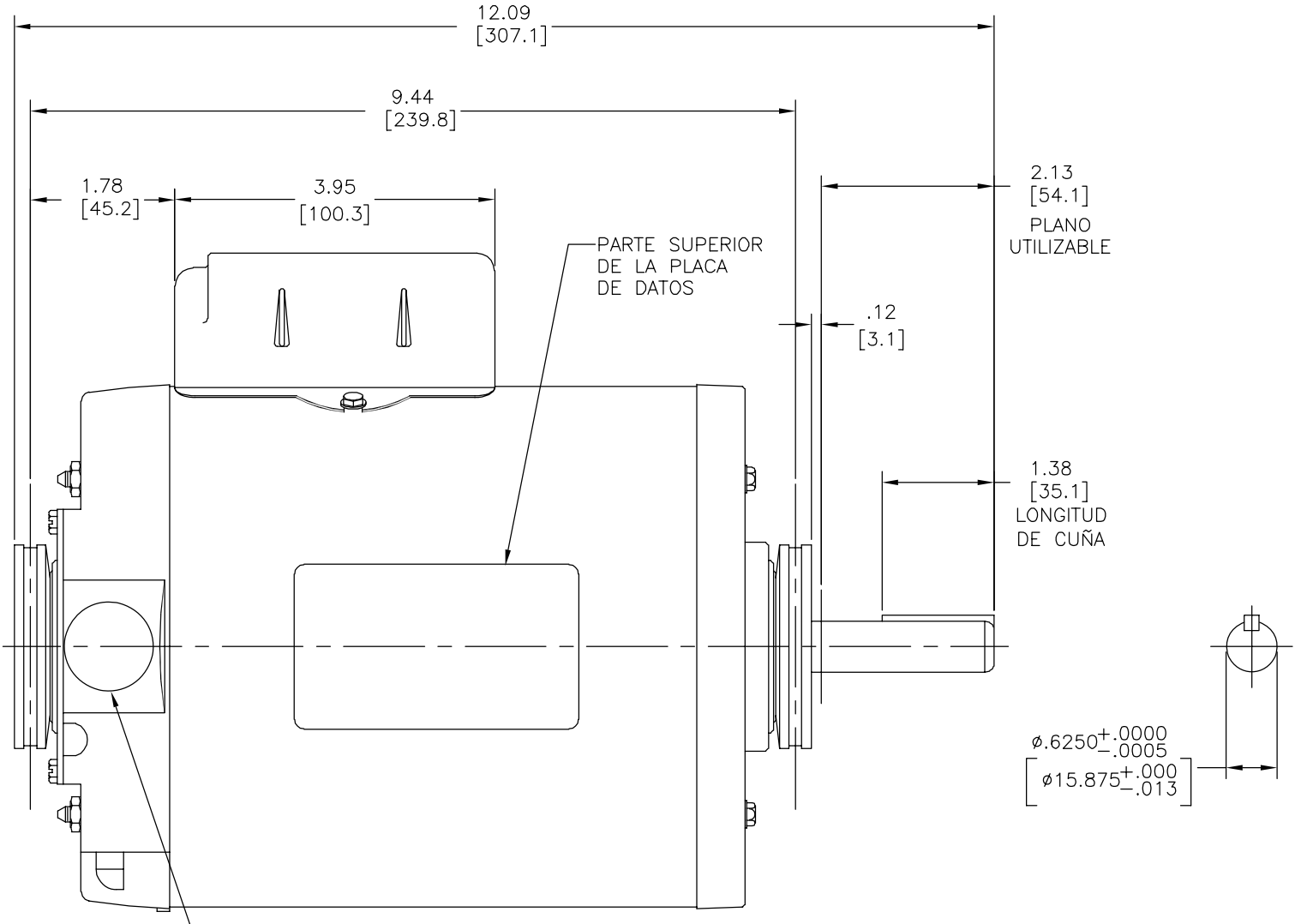
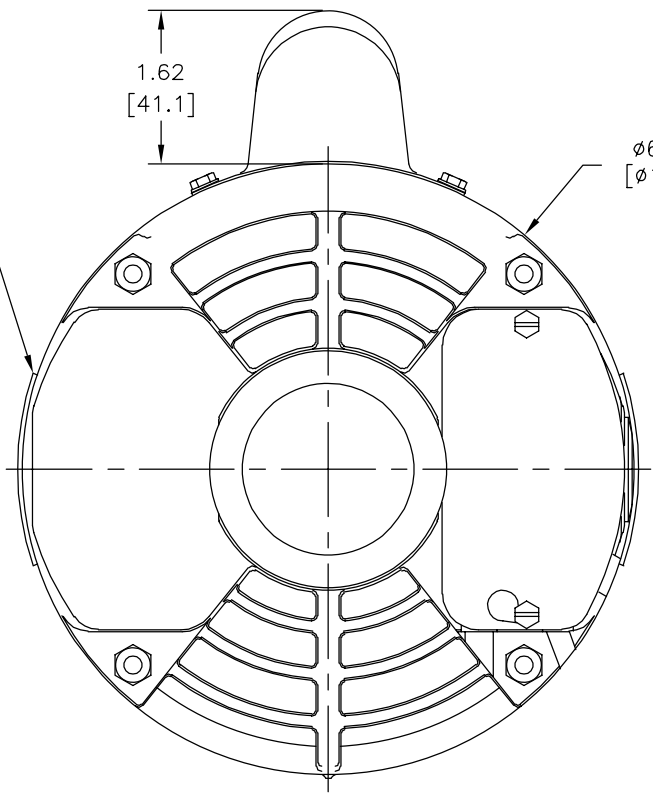
DR BY:	H.MARTINEZ	04-06-2009
APPD:	A.BLEININGER	04-06-2009
THIRD ANGLE PROJECTION		EDS DATE 11-11-2011 FORMAT REV H

CONFIDENTIAL: THIS DRAWING AND ITS INFORMATION ARE THE EXCLUSIVE AND CONFIDENTIAL PROPERTY OF REGAL-BELOIT CORPORATION AND ARE NOT TO BE DISCLOSED, DUPLICATED, DISTRIBUTED OR OTHERWISE USED WITHOUT THE WRITTEN CONSENT OF REGAL-BELOIT CORPORATION. -ALL RIGHTS RESERVED.

		<b>REGAL-BELOIT CORPORATION</b>
DESCRIPTION		
MODEL-CFHP-56FR OUTLINE		
SIZE	C	DWG NO SV2104L
SCALE	NONE	SHEET 1

REVISION:	ECO	REVISADO POR:	FECHA:	APROBADO POR:	FECHA:
C	0029871	E.SINECIO	12-17-2012	G.ALVIDREZ	12-17-2012

PARTE SUPERIOR DE ETIQUETA DE ADVERTENCIA



PARTE SUPERIOR DE LA PLACA DE DATOS

1/2-14 ROSCA PARA CONECCION DE CONDUCTOR (TAPADA)

CARACTERISTICAS DE GEOMETRIA Y SIMBOLOS

- ▧ PLANICIDAD
- RECTITUD
- ∠ ANGULARIDAD
- ⊥ PERPENDICULARIDAD (A ESCUADRA)
- // PARALELISMO
- REDONDEZ (CIRCULARIDAD)
- ⊘ CILINDRICIDAD
- △ PERFIL DE CUALQUIER SUPERFICIE
- ∩ PERFIL DE CUALQUIER LINEA
- ∓ VARIACION
- ⊕ POSICION REAL
- ◎ CONCENTRICIDAD
- = SIMETRIA

ASME Y14.5M 1994

A MENOS QUE SE ESPECIFIQUE DE OTRA MANERA, LAS TOLERANCIAS DE LAS DIMS; SON LAS SIGUIENTES:

PULG ±.1 ±.02 ±.005 ±.0005  
 mm ±0.5 ±0.13 ±0.013

ANG. ± 50 GRADOS

ELIMINAR REBABAS Y ORILLAS FILOSAS DEL BORDE.

PULG .003-.015 mm 0.1-0.4

FILETEAR ESQUINA: PULG .020 mm 0.5

MAQUINAR SUPERFICIES

PULG 125 mm 3.2

DIMS METRICAS MOSTRADAS [PARENTESIS]

DIBUJADO POR:	H.MARTINEZ	04-06-2009
APROBADO POR:	A.BLEININGER	04-06-2009
TERCER ANGULO DE PROYECCION	⊕	FECHA EDS: 11-11-2011
		REV. FORMATO: H
CONFIDENCIAL: ESTE DIBUJO Y SU INFORMACION SON PROPIEDAD DE USO EXCLUSIVO Y CONFIDENCIAL DE REGAL-BELOIT CORPORATION. Y NO DEBERAN SER REVELADOS, DUPLICADOS, DISTRIBUIDOS O USARSE DE OTRA MANERA SIN EL CONSENTIMIENTO ESCRITO DE REGAL-BELOIT CORPORATION. -TODOS LOS DERECHOS RESERVADOS.		

<b>REGAL REGAL-BELOIT CORPORATION</b>	
DESCRIPCION:	
MODEL-CFHP-56FR OUTLINE	
TAMAÑO: C	NUMERO DE DIBUJO: SV2104L
ESCALA: NONE	HOJA: 1