

# PRODUCT INFORMATION PACKET



Model No: U6521

Catalog No: U6521

Unit Heater Motor, 1/8 HP, 1 Ph, 60 Hz, 115 V, 1075 RPM, 1 Speed, 42 Frame, TEAO



Regal and Century are trademarks of Regal Rexnord Corporation or one of its affiliated companies.  
©2025 Regal Rexnord Corporation, All Rights Reserved. MC017097E





**Nameplate Specifications**

Phase	1	Output HP	1/8 Hp
Output KW	0.10 kW	Voltage	115 V
Speed	1075 rpm	Service Factor	1.0
Frame	42Y	Enclosure	Totally Enclosed Air Over
Thermal Protection	Automatic	Ambient Temperature	40 °C
Frequency	60 Hz	Current	2.6 A
Duty	Air Over	Insulation Class	A
UL	Recognized	CSA	Y
CE	N	Number of Speeds	1

**Technical Specifications**

Electrical Type	Permanent Split Capacitor	Starting Method	Across The Line
Poles	6	Rotation	Reversible
Mounting	Resilient Base	Motor Orientation	Horizontal
Drive End Bearing	Sleeve	Opp Drive End Bearing	Sleeve
Frame Material	Na	Shaft Type	Flat
Overall Length	7.30 in	Shaft Diameter	0.500 in
Shaft Extension	2.9 in		
Outline Drawing	11964-001-S01	Connection Drawing	621441

This is an uncontrolled document once printed or downloaded and is subject to change without notice. Date Created:02/10/2025

4

3

2

1

REV	ECO	REV BY	DATE	APPD	DATE
F	0026397	G. ALVIDREZ	05-28-2012	G. ALVIDREZ	05-28-2012

**GENERAL INFORMATION:**

SHAFT RUNOUT: .001 [.03] T.I.R. PER INCH LENGTH OF EXTENSION

END PLAY: .010 TO .063 [.25 TO 1.60]

BEARINGS: SLEEVE

MOUNTING POSITION: HORIZONTAL

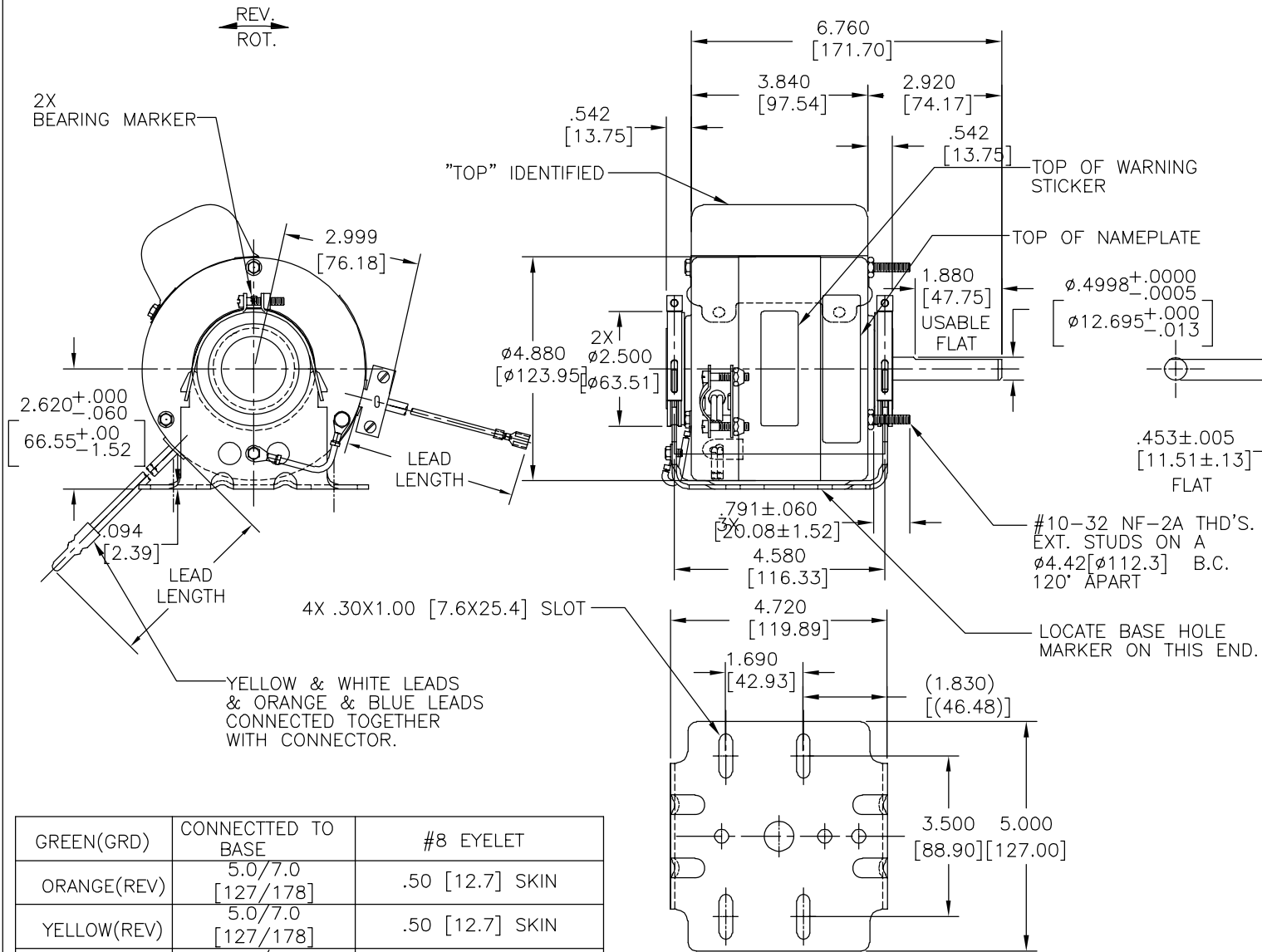
**ELECTRICAL DATA:**

OVERLOAD PROTECTOR: AUTOMATIC RESET (T.I. 7AM 034)

LEADS: NO. 18 GA., .03 [.8] THK. 125°C INSUL.

GROUND LEAD: NO. 18 GA., .03 [.8] THK. GREEN INSUL.

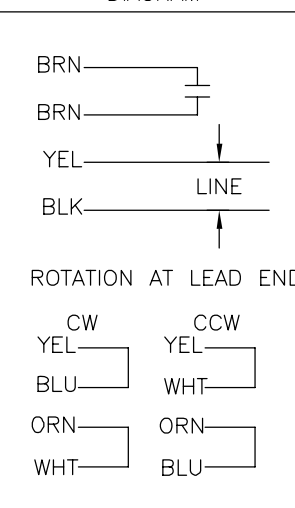
NOTE:  
DISTRIBUTION: CUST. P/N: U6521  
GRAINGER: CUST. P/N: 4LY82



**NAMEPLATE DATA:**

**EXTERNAL CONNECTION DIAGRAM**

MODEL NO.: F42D52A01  
CUST. P/N: [ ]  
HP: 1/8  
ROT.: REVERSIBLE  
RPM: 1075  
TYPE: FLL  
FRAME: 42Y  
VOLTS: 115  
PH: 1  
AMPS: 2.6  
HZ: 60  
INS.: A  
AMB.: 40°C  
DUTY: AIR OVER  
CAP.: 4 MFD/370 V  
UL & CSA LOGO  
THERMALLY PROTECTED TYPE C



GREEN(GRD)	CONNECTED TO BASE	#8 EYELET
ORANGE(REV)	5.0/7.0 [127/178]	.50 [12.7] SKIN
YELLOW(REV)	5.0/7.0 [127/178]	.50 [12.7] SKIN
BLUE(REV)	5.0/7.0 [127/178]	.50 [12.7] SKIN
WHITE(REV)	5.0/7.0 [127/178]	.50 [12.7] SKIN
BROWN	CONNECTED TO CAPACITOR	.25 [6.4] FLAG
BROWN	CONNECTED TO CAPACITOR	.25 [6.4] FLAG
YELLOW	58.0/62.0 [1473/1575]	25 FEMALE SPADE
BLACK	58.0/62.0 [1473/1575]	25 FEMALE SPADE
COLOR	LENGTH	TERMINAL OR STRIP LENGTH

MAIN FRAME - OLE	ENCLOSED
END FRAME - OLE	ENCLOSED
MAIN FRAME - LE	ENCLOSED
END FRAME - LE	ENCLOSED

CUSTOMER	DISTRIBUTION SERVICE
----------	----------------------

PERFORMANCE CURVE NO.	TORQUE @ 1625 RPM (25°C)	APPROVED SAMPLE	UL COMPONENT	CSA
C31724	13.3 OZ. FT.	98AC382A	E46412 PRGY2	LR43341 260-φ-0

GEOMETRIC CHARACTERISTICS & SYMBOLS  
 ▽ FLATNESS  
 — STRAIGHTNESS  
 ∠ ANGULARITY  
 ⊥ PERPENDICULARITY (SQUARENESS)  
 ∥ PARALLELISM  
 ○ ROUNDNESS (CIRCULARITY)  
 ⌀ CYLINDRICITY  
 △ PROFILE OF ANY SURFACE  
 ∩ PROFILE OF ANY LINE  
 ↗ RUNOUT  
 ⊕ TRUE POSITION  
 ⊙ CONCENTRICITY  
 = SYMMETRY  
 ASME Y14.5M 1994

REGAL-BELOIT CORPORATION (RBC) PROVIDES TECHNICAL ASSISTANCE TO OUR CUSTOMERS IN SEVERAL AREAS. SINCE RBC DOES NOT RECEIVE ALL DATA CONCERNING THE USE AND APPLICATION OF THE MOTOR, THE SUITABILITY OF THE MOTOR FOR THE APPLICATION MUST BE DETERMINED BY THE CUSTOMER.  
 DIMENSIONS WITHOUT TOLERANCES ARE FOR REFERENCE ONLY.

DR BY: A M D 07-22-1999  
 APPD: M FRED  
 THIRD ANGLE PROJECTION  
 EDS DATE 11-11-2011  
 FORMAT REV G  
 CONFIDENTIAL: THIS DRAWING AND ITS INFORMATION ARE THE EXCLUSIVE AND CONFIDENTIAL PROPERTY OF REGAL-BELOIT CORPORATION AND ARE NOT TO BE DISCLOSED, DUPLICATED, DISTRIBUTED OR OTHERWISE USED WITHOUT THE WRITTEN CONSENT OF REGAL-BELOIT CORPORATION. -ALL RIGHTS RESERVED.

REGAL-BELOIT CORPORATION  
 DESCRIPTION: MODEL-RFHP-42FR OUTLINE  
 SIZE C DWG NO 11964-001  
 SCALE NONE SHEET 1

4

3

2

1

4

3

2

1

REVISION:	ECO	REVISADO POR:	FECHA:	APROBADO POR:	FECHA:
F	0026397	G. ALVIDREZ	05-28-2012	G. ALVIDREZ	05-28-2012

INFORMACION GENERAL

OSCILACION DE LA FLECHA: .001 [.03] L.T.I. POR PULGADA LONGITUD DE LA EXTENSION

JUEGO AXIAL: .010 TO .063 [.25 TO 1.60]

BALEROS: CAMISA

POSICION DE MONTAJE: HORIZONTAL

DATOS ELECTRICOS:

POTRECCION DE SOBRECARGA: RESTABLECIMIENTO (T.I 7AM 034) AUTOMATICO

CABLES: CALIBRE NO. 18, .03[.8] GROSOR.125°C AISLADO.

CABLE DE TIERRA: CALIBRE NO.18, .03[.8] DE GROSOR AISLANTE VERDE

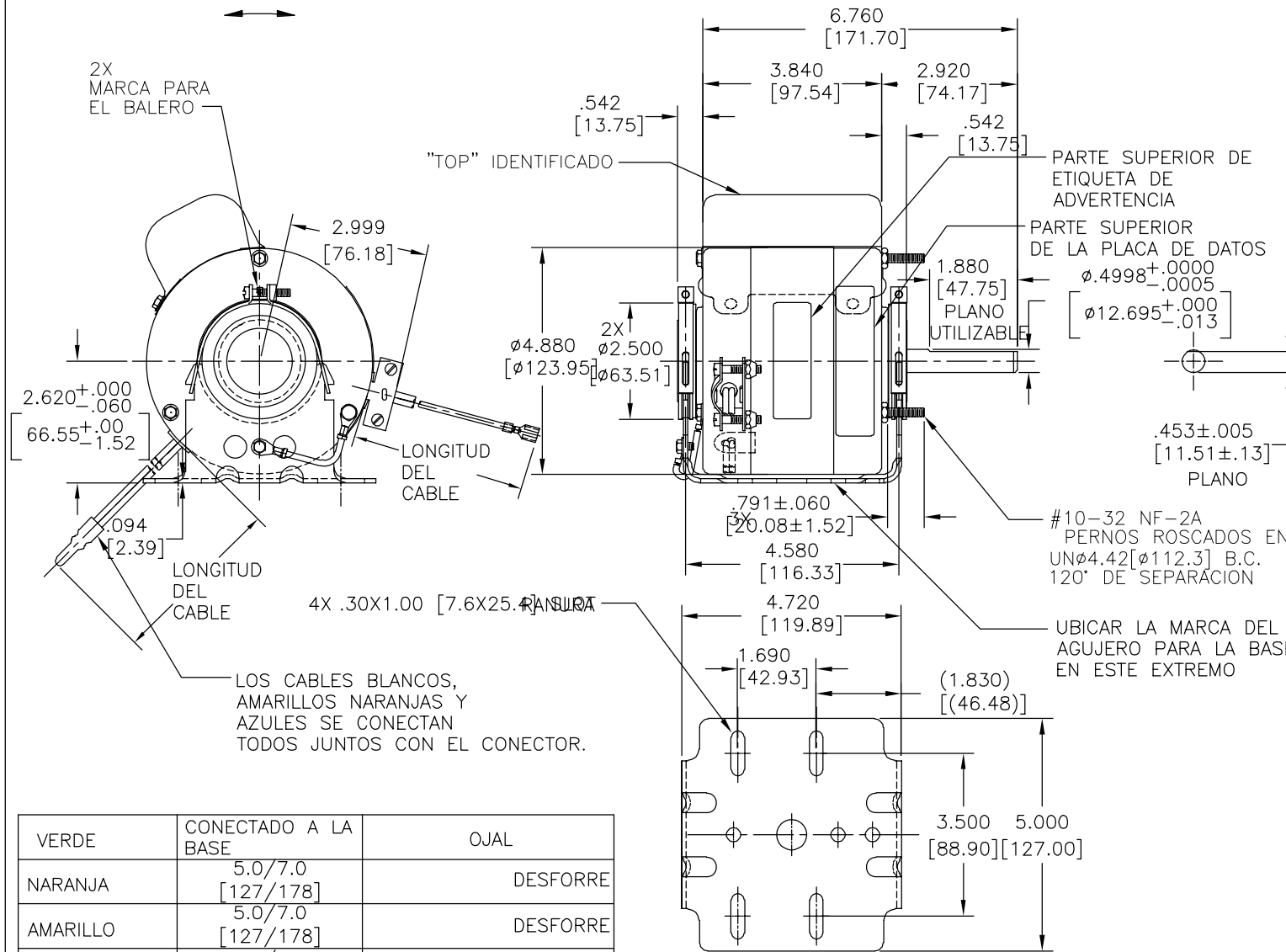
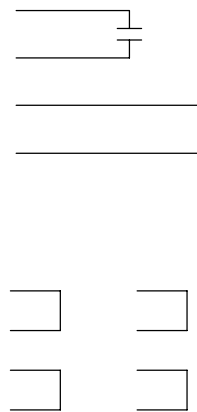
NOTA:  
DISTRIBUCION: NUMERO DE PARTE DEL CLIENTE U6521  
GRAINGER: NUMERO DE PARTE DEL CLIENTE 4LY82

VER NOTA

PLACA DE DATOS:

DIAGRAMA DE CONEXION EXTERNA

MODEL NO.: F42D52A01  
CUST. P/N: [ ]  
HP: 1/8  
ROT.: REVERSIBLE  
RPM: 1075  
TYPE: FLL  
FRAME: 42Y  
VOLTS: 115  
PH: 1  
AMPS: 2.6  
HZ: 60  
INS.: A  
AMB.: 40°C  
DUTY: AIR OVER  
CAP.: 4 MFD/370 V  
UL & CSA LOGO  
THERMALLY PROTECTED



VERDE	CONECTADO A LA BASE	OJAL
NARANJA	5.0/7.0 [127/178]	DESFORRE
AMARILLO	5.0/7.0 [127/178]	DESFORRE
AZUL	5.0/7.0 [127/178]	DESFORRE
BLANCO	5.0/7.0 [127/178]	DESFORRE
CAFE	CONECTADO AL CAPACITOR	BANDERA
CAFE	CONECTADO AL CAPACITOR	BANDERA
AMARILLO	58.0/62.0 [1473/1575]	TERMINAL HEMBRA
NEGRO	58.0/62.0 [1473/1575]	TERMINAL HEMBRA
COLOR	LONGITUD	LONG. DE LA TERMINAL O DEL DESFORRE

CARCAZA	ENCERRADO
TAPA	ENCERRADO
CARCAZA	ENCERRADO
TAPA	ENCERRADO
ENCERRADO	

CLIENTE	SERVICIO DE DISTRIBUCION
---------	--------------------------

CURVA DE DESEMPEÑO	TORSION	PRUEBA APROVADA	COMPONENTE UL			
C31724	13.3 OZ. FT.	98AC382A	ARCHIVO	GUIA	ARCHIVO	GUIA
			E46412	PRGY2	LR43341	260-∅-0

CARACTERISTICAS DE GEOMETRIA Y SIMBOLOS  
 ▽ PLANICIDAD  
 — RECTITUD  
 ∠ ANGULARIDAD  
 ⊥ PERPENDICULARIDAD (A ESCUADRA)  
 // PARALELISMO  
 ○ REDONDEZ (CIRCULARIDAD)  
 ∅ CILINDRICIDAD  
 △ PERFIL DE CUALQUIER SUPERFICIE  
 ∩ PERFIL DE CUALQUIER LINEA  
 ↑ VARIACION  
 ⊕ POSICION REAL  
 ⊙ CONCENTRICIDAD  
 = SIMETRIA  
 ASME Y14.5M 1994

REGAL-BELOIT CORPORATION (RBC) PROVEE ASISTENCIA TECNICA A NUESTROS CLIENTES EN VARIAS AREAS. DESDE QUE RBC NO RECIBE TODOS LOS DATOS EN RELACION AL USO Y A LA APLICACION DEL MOTOR, LA APLICACION ADECUADA DEL MOTOR DEBE SER DETERMINADA POR EL CLIENTE.

DIMENSIONES SIN TOLERANCIA SON DE REFERENCIA SOLAMENTE

DIBUJADO POR: A M D 07-22-1999  
 APROBADO POR: M FRED

TERCER ANGULO DE PROYECCION

CONFIDENCIAL: ESTE DIBUJO Y SU INFORMACION SON PROPIEDAD DE USO EXCLUSIVO Y CONFIDENCIAL DE REGAL-BELOIT CORPORATION. Y NO DEBERAN SER REVELADOS, DUPLICADOS, DISTRIBUIDOS O USARSE DE OTRA MANERA SIN EL CONSENTIMIENTO ESCRITO DE REGAL-BELOIT CORPORATION. -TODOS LOS DERECHOS RESERVADOS.



DESCRIPCION: MODEL-RFHP-42FR OUTLINE  
 TAMAÑO: C NUMERO DE DIBUJO: 11964-001  
 ESCALA: NONE HOJA: 1

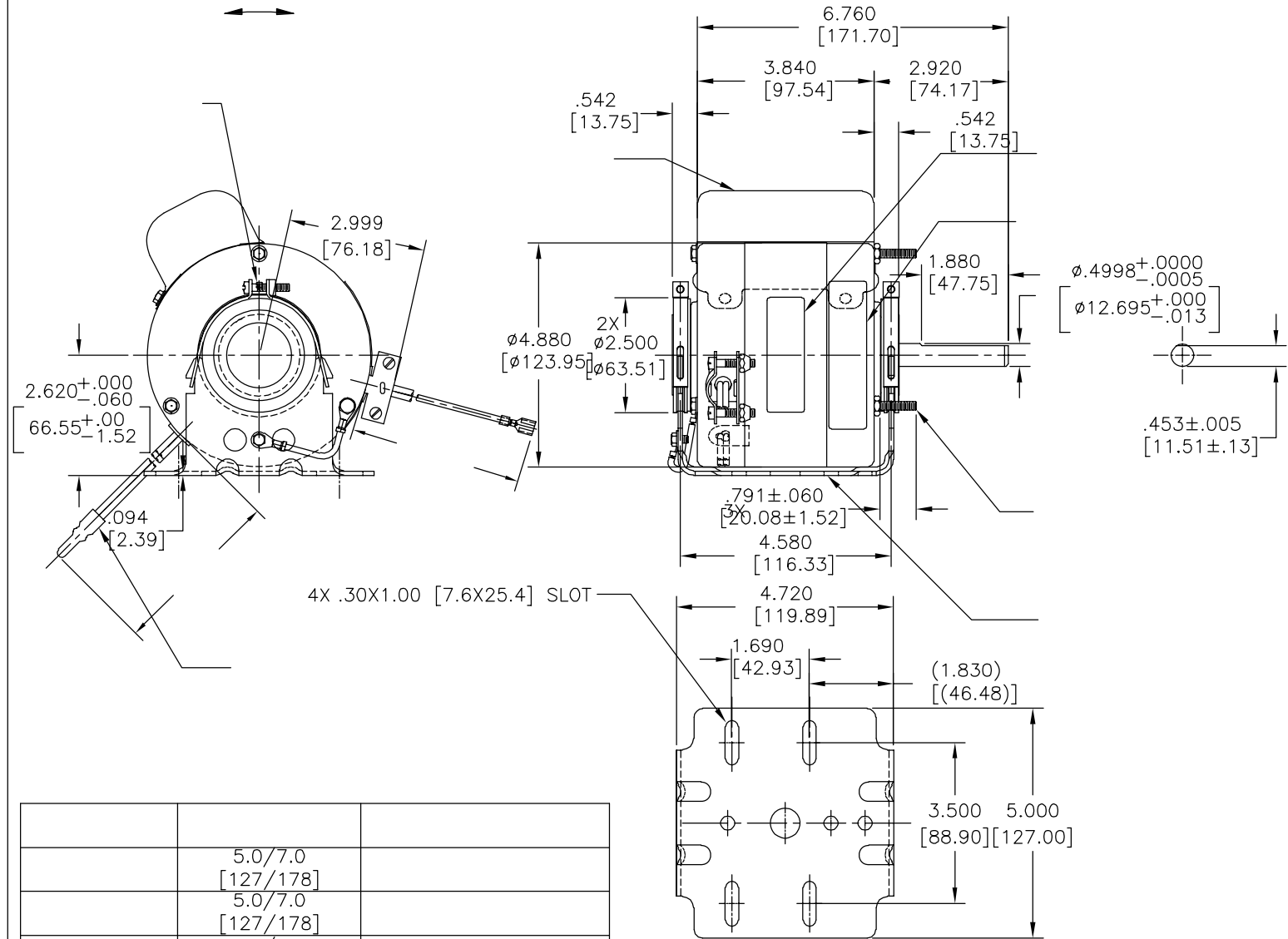
4

3

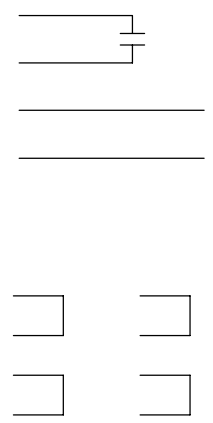
2

1

版本	ECO	编制	日期	批准	日期
F	0026397	G. ALVIDREZ	05-28-2012	G. ALVIDREZ	05-28-2012



MODEL NO.: F42D52A01  
 CUST. P/N: [ ]  
 HP: 1/8  
 ROT.: REVERSIBLE  
 RPM: 1075  
 TYPE: FLL  
 FRAME: 42Y  
 VOLTS: 115  
 PH: 1  
 AMPS: 2.6  
 HZ: 60  
 INS.: A  
 AMB.: 40°C  
 DUTY: AIR OVER  
 CAP.: 4 MFD/370 V  
 UL & CSA LOGO  
 THERMALLY PROTECTED



	5.0/7.0	
	[127/178]	
	5.0/7.0	
	[127/178]	
	5.0/7.0	
	[127/178]	
	5.0/7.0	
	[127/178]	
	58.0/62.0	
	[1473/1575]	
	58.0/62.0	
	[1473/1575]	

C31724	13.3 OZ. FT.	98AC382A	E46412	PRGY2	LR43341	260-0-0
--------	--------------	----------	--------	-------	---------	---------

- 形位公差
- 平面度
- 直线度
- ∠ 倾斜度
- ⊥ 垂直度
- ∥ 平行度
- 圆度
- ⊘ 圆柱度
- ⊙ 面轮廓度
- △ 面轮廓度
- ⊖ 线轮廓度
- ↗ 圆跳动
- ⊕ 位置度
- ◎ 同轴度
- ≡ 对称度

ASME Y14.5M 1994

REGAL-BELOIT CORPORATION (RBC) 在个别领域为客户提供技术支持。鉴于RBC未收到任何涉及电机使用和应用环境的数据，电机的适用性由客户自己决定。

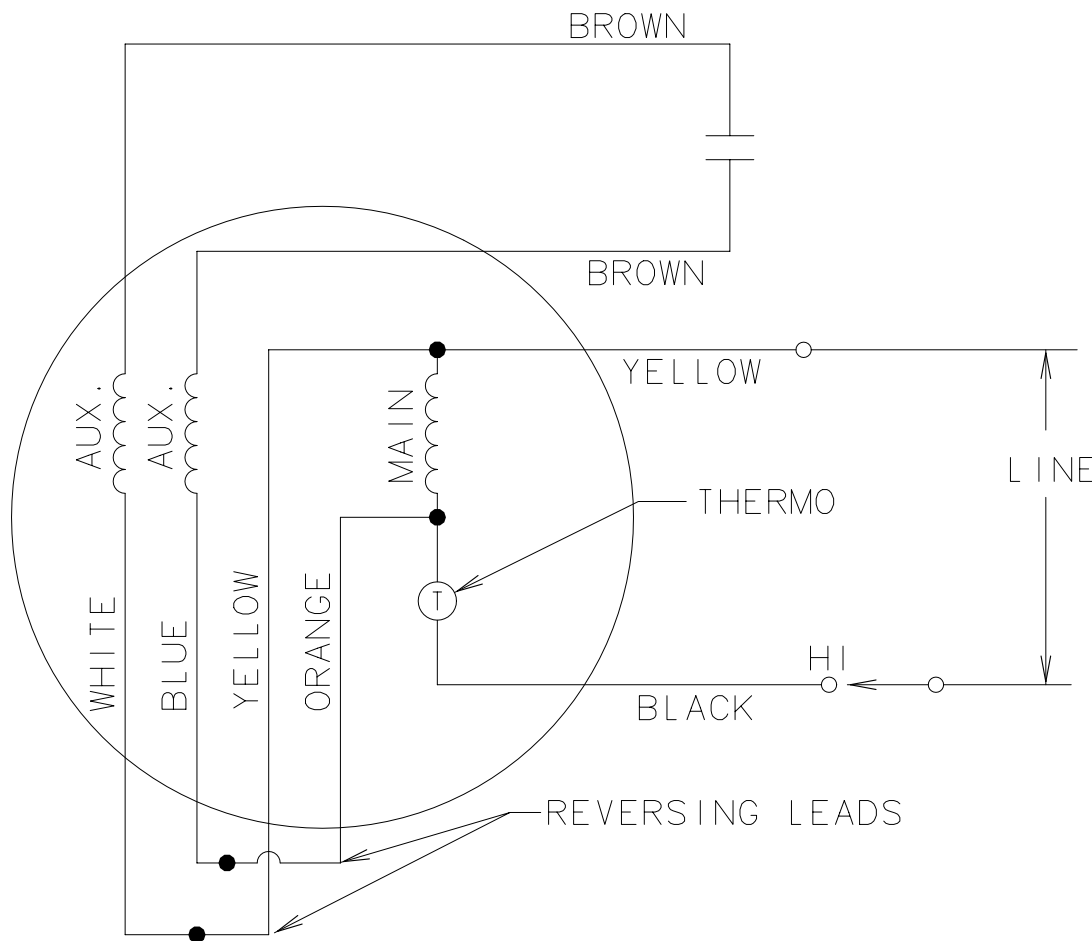
未注公差尺寸仅供参考。

绘图: A M D 07-22-1999  
 批准: M FRED  
 第三角投影  
 机密: 本图纸及相关信息所有权归REGAL-BELOIT CORPORATION。未经REGAL-BELOIT CORPORATION书面授权，不得泄露、复制或传播或作其他用途。—版权所有

REGAL-BELOIT CORPORATION  
 名称: MODEL-RFHP-42FR OUTLINE  
 图幅: C 图号: 11964-001  
 比例: NONE 页号: 1

621441

CONFIDENTIAL: THIS DRAWING AND ITS INFORMATION ARE THE EXCLUSIVE AND CONFIDENTIAL PROPERTY OF A.O.SMITH CORP. AND ARE NOT TO BE DISCLOSED, DUPLICATED, DISTRIBUTED OR OTHERWISE USED WITHOUT THE WRITTEN CONSENT OF A.O.SMITH CORP. - ALL RIGHTS RESERVED




**QUALITY CONTROL NOTE**

TO CHECK THE WINDINGS FOR OPENS, VERIFY THE CONTINUITY BETWEEN THE (2) BROWN LEADS.

REV. ROT., TYPE FLL.

MOTOR SHOWN CONNECTED FOR CCW ROT. TO REVERSE ROT. INTERCHANGE THE WHITE & BLUE LEADS.

	DATE	CHANGED FROM	NOTICE	MATERIAL	PROCESS	<b>A.O. SMITH</b> ELECTRICAL PRODUCTS COMPANY TIPP CITY, OHIO		A DIVISION OF A.O. SMITH CORPORATION  COPYRIGHT 1992	
				FIRST MODEL U6520	SHEET 1 OF 1	DRAWN BY M.A.D.	NPN NO. 92AR0416	DESCRIPTION FR. 48 TYPE FLL DIAG. MLW	
				NO. OF MODELS 1	REFERENCE 618309	SCALE NONE	APPROVED BY	REL. DATE 7/21/92	PART NO. 621441
				LIMITS UNLESS OTHERWISE SPECIFIED: FRACTIONS ± NONE ANGLES ± NONE DECIMALS ± NONE			GROUP CODE PSCS	FILE CODE CONEXT	

\* CADAM DWG. -DO NOT ALTER

B#10 (EXT. CONN.)