

PRODUCT INFORMATION PACKET

FASCO®

Model No: UB557
Catalog No: UB557
4 WATT Refrigeration Motor, 1450 RPM, 230 Volts, Unit Bearing, TEAO



Regal and Fasco are trademarks of Regal Rexnord Corporation or one of its affiliated companies.
©2022 Regal Rexnord Corporation, All Rights Reserved. MC017097E

RegalRexnord



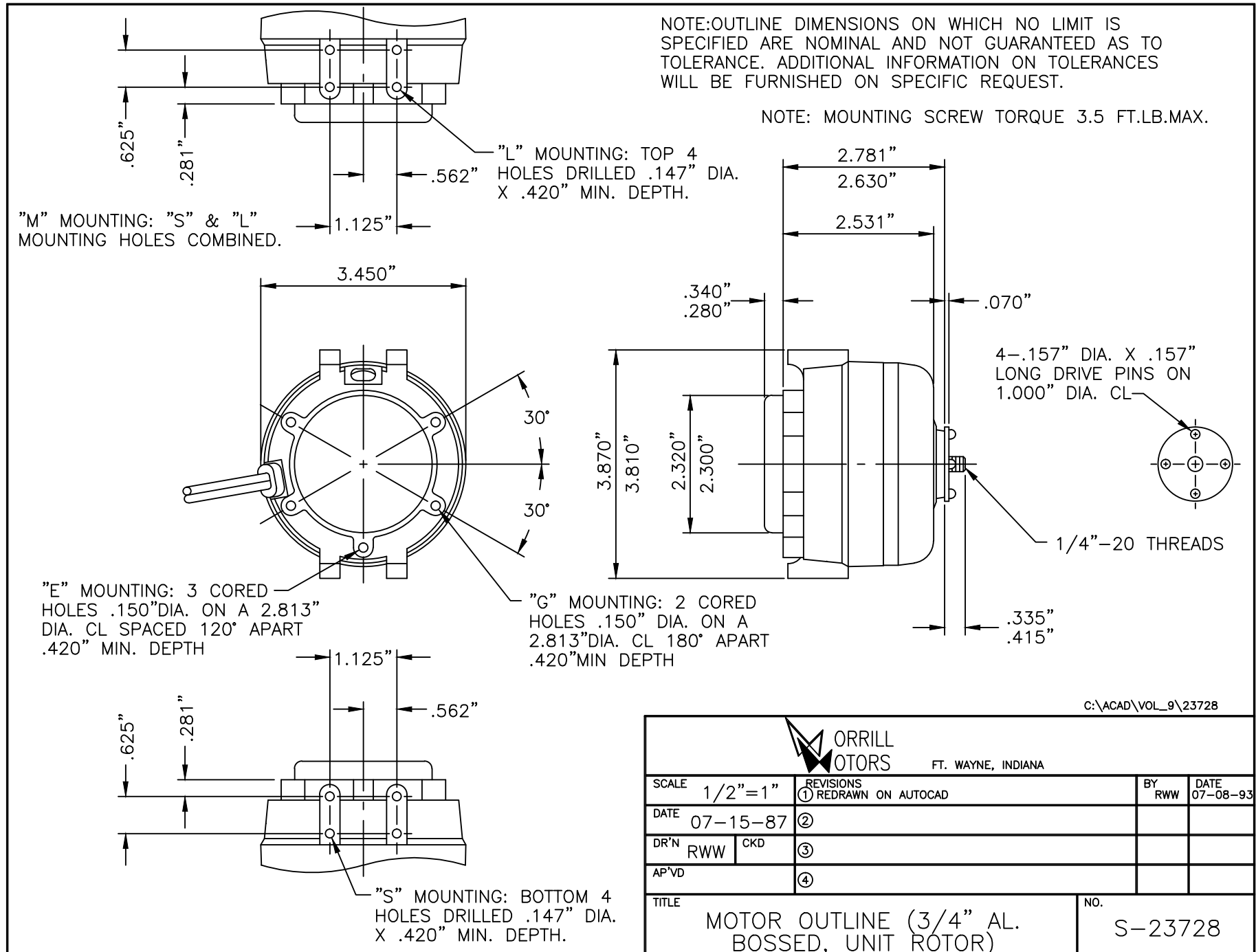
Nameplate Specifications

| | | | |
|---------------------|---------------------------|--------------------|--------------|
| Output Watts | 4 W | Frequency | 60 Hz |
| Voltage | 230 V | Current | 0.14 A |
| Speed | 1450 rpm | Service Factor | 1 |
| Phase | 1 | Duty | Continuous |
| Insulation Class | B | Frame | UNIT BEARING |
| Enclosure | Totally Enclosed Air Over | Thermal Protection | Impedance |
| Ambient Temperature | 40 °C | UL | Recognized |
| CSA | Y | CE | N |
| Number of Speeds | 1 | | |

Technical Specifications

| | | | |
|-----------------------|--------------------|-------------------|-------------------------------------|
| Electrical Type | Shaded Pole | Starting Method | Across The Line |
| Poles | 4 | Rotation | Counterclockwise Opposite Shaft End |
| Mounting | 2 BOSS/OSE 5 HOLES | Drive End Bearing | Unit |
| Opp Drive End Bearing | Unit | Frame Material | Aluminum |
| Shaft Type | Threaded | Frame Length | 2.87 in |
| Shaft Diameter | 1/4x20 in | Shaft Extension | .415 in |
| Outline Drawing | UB557-S01 | | |

This is an uncontrolled document once printed or downloaded and is subject to change without notice. Date Created:11/29/2022



| | | | |
|---|----------|----------------------|----------|
| ORRILL MOTORS FT. WAYNE, INDIANA | | | |
| SCALE | 1/2"=1" | REVISIONS | BY |
| DATE | 07-15-87 | ① REDRAWN ON AUTOCAD | RWW |
| DR'N | RWW | ② | DATE |
| AP'VD | CKD | ③ | 07-08-93 |
| TITLE | | NO. | |
| MOTOR OUTLINE (3/4" AL. BOSSED, UNIT ROTOR) | | S-23728 | |