

PRODUCT INFORMATION PACKET

FASCO®

Model No: UB567
Catalog No: UB567
16 WATT Refrigeration Motor, 1550 RPM, 115 Volts, Unit Bearing, TEAO



Regal and Fasco are trademarks of Regal Rexnord Corporation or one of its affiliated companies.
©2022 Regal Rexnord Corporation, All Rights Reserved. MC017097E

RegalRexnord



Nameplate Specifications

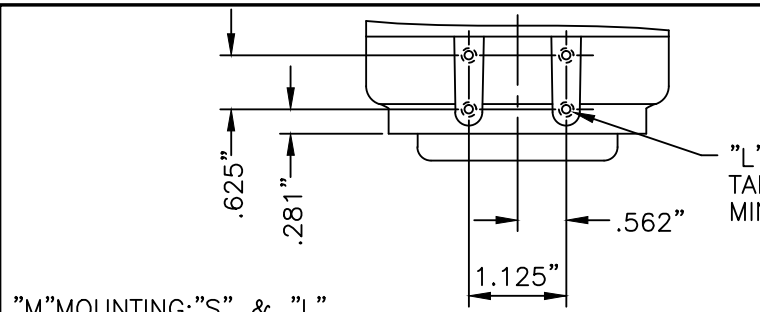
Output Watts	16 W	Frequency	60 Hz
Voltage	115 V	Current	0.80 A
Speed	1550 rpm	Service Factor	1
Phase	1	Duty	Continuous
Insulation Class	B	Frame	UNIT BEARING
Enclosure	Totally Enclosed Air Over	Thermal Protection	Thermally Protected
Ambient Temperature	40 °C	UL	Recognized
CSA	Y	CE	N
Number of Speeds	1		

Technical Specifications

Electrical Type	Shaded Pole	Starting Method	Across The Line
Poles	4	Rotation	Counterclockwise Opposite Shaft End
Mounting	2 BOSS/OSE 3 HOLES	Drive End Bearing	Unit
Opp Drive End Bearing	Unit	Frame Material	Cast Iron
Shaft Type	Threaded	Frame Length	3.37 in
Shaft Diameter	1/4x20 in	Shaft Extension	.415 in
Outline Drawing	UB567-S01		

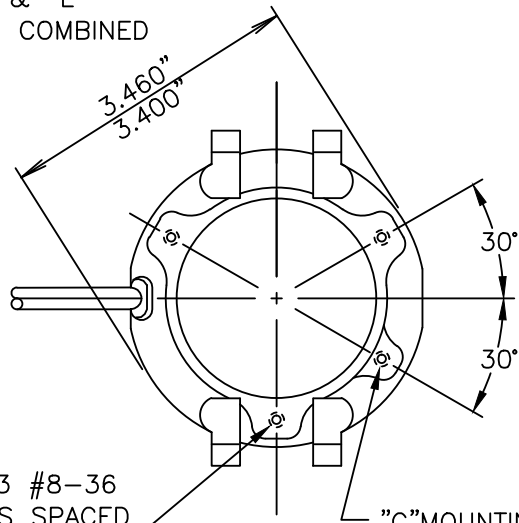
This is an uncontrolled document once printed or downloaded and is subject to change without notice. Date Created:11/29/2022

NOTE: OUTLINE DIMENSIONS FOR WHICH NO LIMIT IS SPECIFIED ARE NOMINAL AND NOT GUARANTEED AS TO TOLERANCE. ADDITIONAL INFORMATION ON TOLERANCES WILL BE FURNISHED ON SPECIFIC REQUEST.



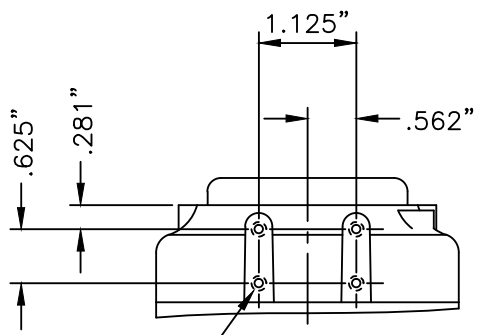
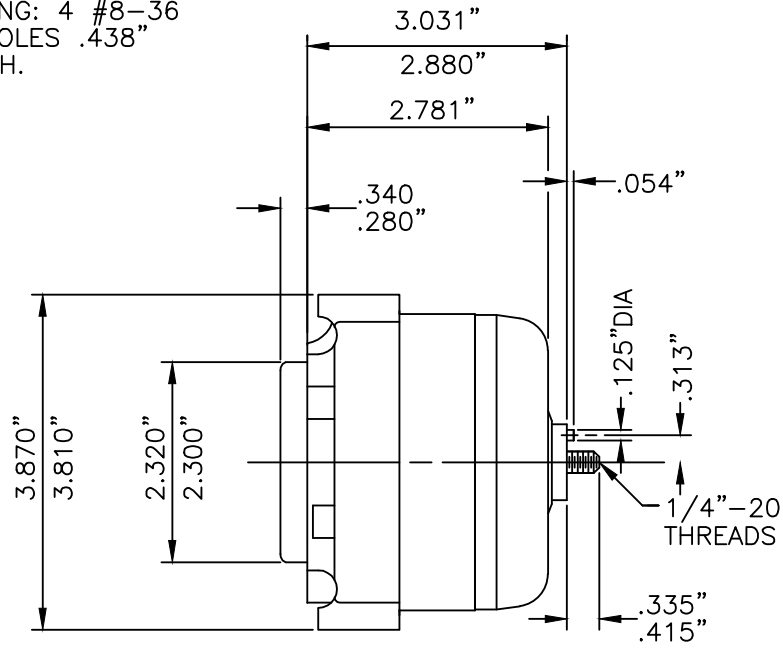
"L" MOUNTING: 4 #8-36 TAPPED HOLES .438" MIN. DEPTH.

"M" MOUNTING: "S" & "L" MOUNTING HOLES COMBINED



"E" MOUNTING: 3 #8-36 TAPPED HOLES SPACED 120° ON 2.813" DIA.


"G" MOUNTING: 2 #8-36 TAPPED HOLES SPACED AT 180° ON 2.813" DIA.



"S" MOUNTING: 4 #8-36 TAPPED HOLES .438" MIN. DEPTH

NOTE: MOUNTING SCREW TORQUE 3.5 FT. LBS. MAX.

F:\CADFILES\VOL_9\23792

 ERWIN, TENNESSEE	REVISIONS		BY	DATE			
	①	CHANGED FRONT COVER	RWW	02-14-91			
	②	UPDATED TITLE BLOCK	JCL	10-03-02			
	③						
	④						
⑤							
SCALE	1/2"=1"	DATE	04-17-89	DR'N	RWW	CKD	AP'VD
TITLE							NO.
MOTOR OUTLINE (1" C.I. BOSS, STANDARD)							UB567