

PRODUCT INFORMATION PACKET

FASCO®

Model No: UB568
Catalog No: UB568
16 WATT Refrigeration Motor, 1550 RPM, 230 Volts, Unit Bearing, TEAO



Regal and Fasco are trademarks of Regal Rexnord Corporation or one of its affiliated companies.
©2022 Regal Rexnord Corporation, All Rights Reserved. MC017097E

RegalRexnord



Nameplate Specifications

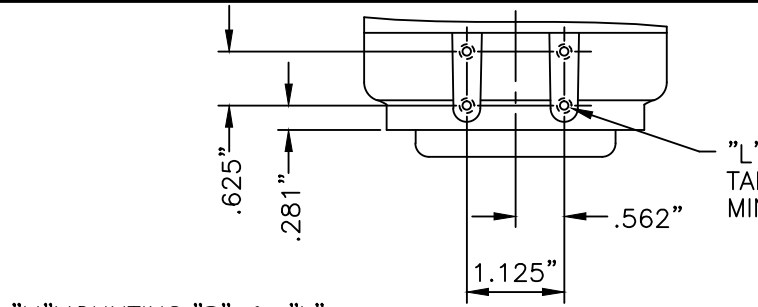
Output Watts	16 W	Frequency	60 Hz
Voltage	230 V	Current	0.40 A
Speed	1550 rpm	Service Factor	1
Phase	1	Duty	Continuous
Insulation Class	B	Frame	UNIT BEARING
Enclosure	Totally Enclosed Air Over	Thermal Protection	Thermally Protected
Ambient Temperature	40 °C	UL	Recognized
CSA	Y	CE	N
Number of Speeds	1		

Technical Specifications

Electrical Type	Shaded Pole	Starting Method	Across The Line
Poles	4	Rotation	Clockwise Opposite Shaft End
Mounting	2 BOSS/OSE 3 HOLES	Drive End Bearing	Unit
Opp Drive End Bearing	Unit	Frame Material	Cast Iron
Shaft Type	Threaded	Frame Length	3.37 in
Shaft Diameter	1/4x20 in	Shaft Extension	.415 in
Outline Drawing	UB568-S01		

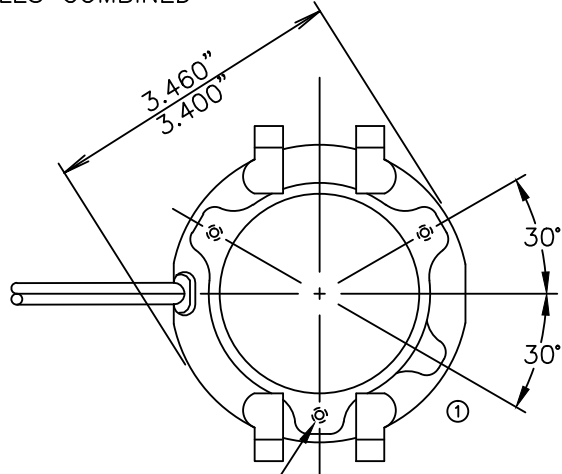
This is an uncontrolled document once printed or downloaded and is subject to change without notice. Date Created:11/29/2022

NOTE: OUTLINE DIMENSIONS ON WHICH NO LIMIT IS SPECIFIED ARE NOMINAL AND NOT GUARANTEED AS TO TOLERANCE. ADDITIONAL INFORMATION ON TOLERANCES WILL BE FURNISHED ON SPECIFIC REQUEST.

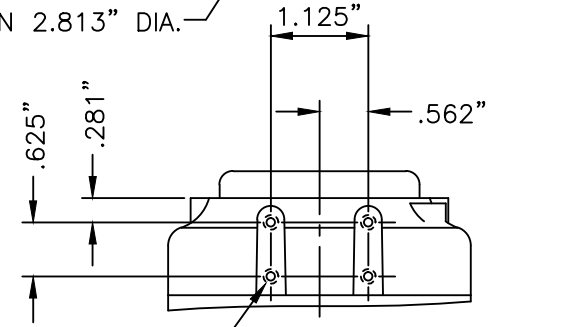


"L" MOUNTING: 4 #8-36 TAPPED HOLES .438" MIN. DEPTH.

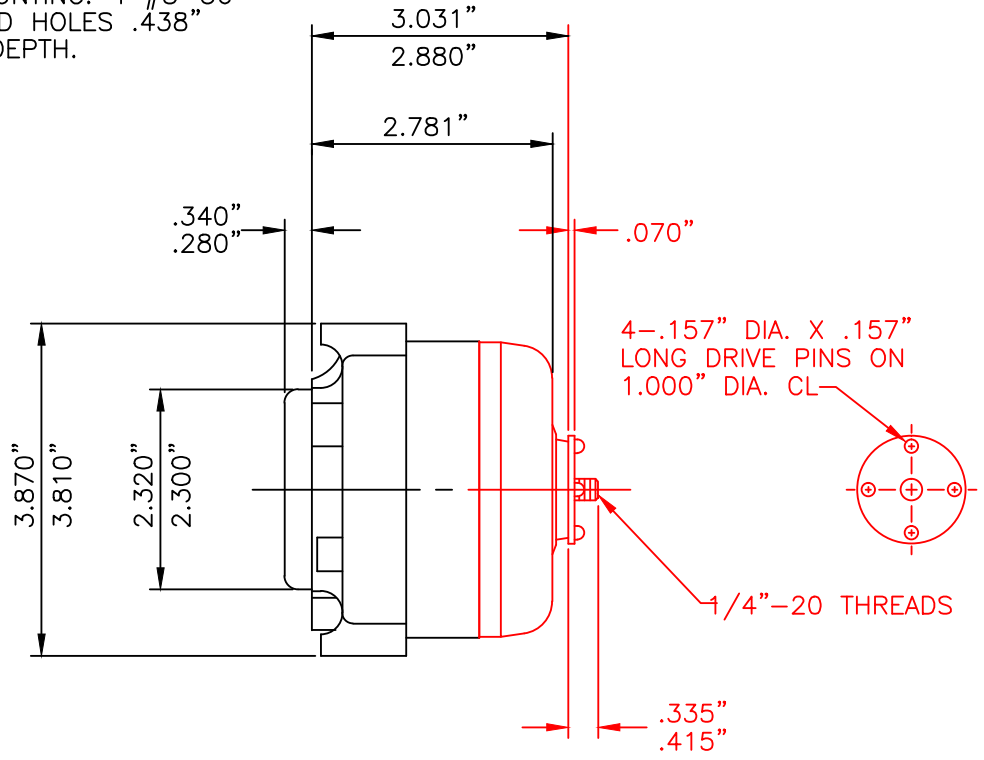
"M" MOUNTING: "S" & "L" MOUNTING HOLES COMBINED



"E" MOUNTING: 3 #8-36 TAPPED HOLES SPACED 120° ON 2.813" DIA.




"S" MOUNTING: 4 #8-36 TAPPED HOLES .438" MIN. DEPTH



NOTE: MOUNTING SCREW TORQUE 3.5 FT.LB.MAX.

F:\CADFILES\VOL_9\23947

 ERWIN, TENNESSEE	REVISIONS	BY	DATE
	① REMOVED "G" MOUNT OPTION	RWW	02-23-98
	②		
	③		
	④		
⑤			
SCALE 1/2"=1"	DATE 04-29-91	DR'N CAC	CKD
TITLE MOTOR OUTLINE (1" C.I. BOSSED UNIT ROTOR)		AP'VD	
		NO. S-23947	