

# PRODUCT INFORMATION PACKET



Model No: UH1036V1

Catalog No: UH1036V1

Unit Heater Motor, 1/3 HP, 1 Ph, 60 Hz, 115 V, 1075 RPM, 1 Speed, 48 Frame, TEAO



Regal and Century are trademarks of Regal Rexnord Corporation or one of its affiliated companies.  
©2025 Regal Rexnord Corporation, All Rights Reserved. MC017097E





**Nameplate Specifications**

Phase	1	Output HP	1/3 Hp
Output KW	0.25 kW	Voltage	115 V
Speed	1075 rpm	Service Factor	1.0
Frame	48Y	Enclosure	Totally Enclosed Air Over
Thermal Protection	Automatic	Ambient Temperature	40 °C
Frequency	60 Hz	Current	5.3 A
Duty	Air Over	Insulation Class	F
UL	Recognized	CSA	Y
CE	N	Number of Speeds	1

**Technical Specifications**

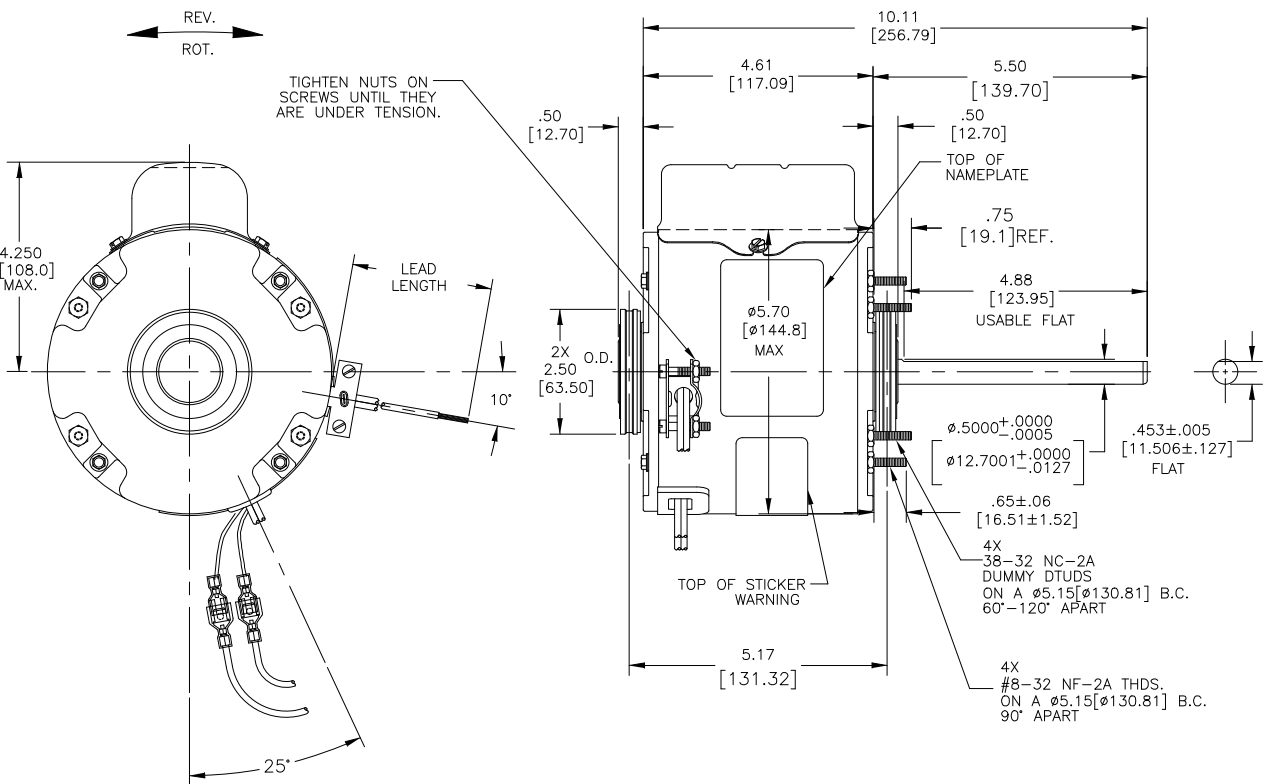
Electrical Type	Permanent Split Capacitor	Starting Method	Across The Line
Poles	6	Rotation	Reversible
Mounting	Resilient Ring/Extended Studs	Motor Orientation	Horizontal
Drive End Bearing	Ball	Opp Drive End Bearing	Ball
Frame Material	Rolled Steel	Shaft Type	Flat
Overall Length	10.61 in	Frame Length	4.00 in
Shaft Diameter	0.500 in	Shaft Extension	5.5 in
Connection Drawing	614131-124	Outline Drawing	UH1036V1-S01

This is an uncontrolled document once printed or downloaded and is subject to change without notice. Date Created:12/06/2025

GENERAL INFORMATION:

SHAFT RUNOUT: .001[.025] T.I.R. PER INCH LENGTH OF EXTENSION.  
 BEARINGS: BALL  
 MOUNTING POSITION: HORIZONTAL  
 ELECTRICAL DATA:  
 OVERLOAD PROTECTOR: AUTOMATIC RESET (T.I. 7AM 032)  
 LEADS: NO. 18 GA., .03[.76] THK. CROSS-LINKED POLYETHYLENE, 125°C INSUL.

- NOTE:
- 1x MOUNTING BASE AND 2x MOUNTING CLAMP ASSEMBLIES TO BE SHIPPED SEPARATELY IN EACH CARTON WITH MOTOR.
  - MOTOR SHIPPED CONNECTED FOR CWLW ROTATION.



NAMEPLATE DATA:	EXTERNAL CONNECTION DIAGRAM
MODEL: F48V02A01 CUST. P/N: UH1036V1 HP: 1/3 ROT.: REVERSIBLE RPM: 1075 TYPE: UF FRAME: 48Y VOLTS: 115 PH: 1 AMPS: 5.3 HZ: 60 INS.: A AMB: 40°C DUTY: AIR OVER CAP.: 5 MFD/370 V ENCL: ENCLOSED UL LOGO CSA LOGO THERMALLY PROTECTED	<p>614131-124</p>

BLUE	5/7 [127/178]	PRE-INSUL. SPADE TERM.
PURPLE	5/7 [127/178]	PRE-INSUL. TAB TERM.
RED	5/7 [127/178]	PRE-INSUL. SPADE TERM.
ORANGE	5/7 [127/178]	PRE-INSUL. TAB TERM.
BROWN/WHITE	CONNECTED TO CAPACITOR	.25[6.35] FLAG
BROWN	CONNECTED TO CAPACITOR	.25[6.35] FLAG
BLACK	58/62 [1473/1575]	.60[15.24] SKIN
YELLOW	58/62 [1473/1575]	.60[15.24] SKIN
COLOR	LENGTH	TERMINAL OR STRIP LENGTH

REGAL-BELOIT CORPORATION (RBC) PROVIDES TECHNICAL ASSISTANCE TO OUR CUSTOMERS IN SEVERAL AREAS. SINCE RBC DOES NOT RECEIVE ALL DATA CONCERNING THE USE AND APPLICATION OF THE MOTOR, THE SUITABILITY OF THE MOTOR FOR THE APPLICATION MUST BE DETERMINED BY THE CUSTOMER.

DIMENSIONS WITHOUT TOLERANCES ARE FOR REFERENCE ONLY.

MAIN FR.-OLE	ENCLOSED
END FR.-OLE	ENCLOSED
MAIN FR.-LE	ENCLOSED
END FR.-LE	ENCLOSED

PERFORMANCE CURVE NO.	TORQUE @1075 RPM (25°C)	APPROVED SAMPLE	UL COMPONENT		CSA	
			FILE #	GUIDE #	FILE #	GUIDE #
C31027	33.3 OZ. FT.	93AC451B	E46412	PRGY2	LR43341	260-Ø-0

LEAD DATA		
DRAWING REVISION	REVISION BY	DATE
A/C	ANJANI	08/20/2025
ECO	APPROVED BY	DATE
ECR-0245213	KEP	08/20/2025
ECO DESCRIPTION		
REVISED CAP HEIGHT DIM		

COPYRIGHT REGAL-BELOIT AMERICA, INC. ALL RIGHTS RESERVED. PROPRIETARY AND CONFIDENTIAL INFORMATION - THIS DOCUMENT IS THE PROPERTY OF REGAL-BELOIT AMERICA, INC. (OWNER) AND CONTAINS OWNER'S PROPRIETARY INFORMATION. ANY PERSON, CORPORATION OR OTHER ENTITY, DUPLICATING, AND/OR USING, BY RECEIVING IT, TO AGREE THAT IT, AND/OR ANY PART OF IT, SHALL NOT BE DISCLOSED TO ANY PERSON, CORPORATION OR OTHER ENTITY, DUPLICATED, AND/OR USED, EXCEPT AS EXPRESSLY APPROVED IN WRITING IN ADVANCE BY OWNER. THIS DOCUMENT SHALL BE RETURNED TO OWNER UPON REQUEST. IT MAY BE SUBJECT TO CERTAIN RESTRICTIONS UNDER APPLICABLE EXPORT CONTROL LAWS AND REGULATIONS.

ENCLOSED	CUST.	DISTRIBUTION SERVICE
DRAWN BY: A.SUN	Regal Rexnord Regal Beloit America, Inc.	
DATE: 12-09-2016	DESCRIPTION: MODEL-RFHP-48FR OUTLINE	
APPROVED BY: J.ZHU	MATERIAL	PROCESS/FINISH
DATE: 12-09-2016	SIZE DWG NO	SHEET 1
REFERENCE	C	UH1036V1
THIRD ANGLE PROJECTION		

4

3

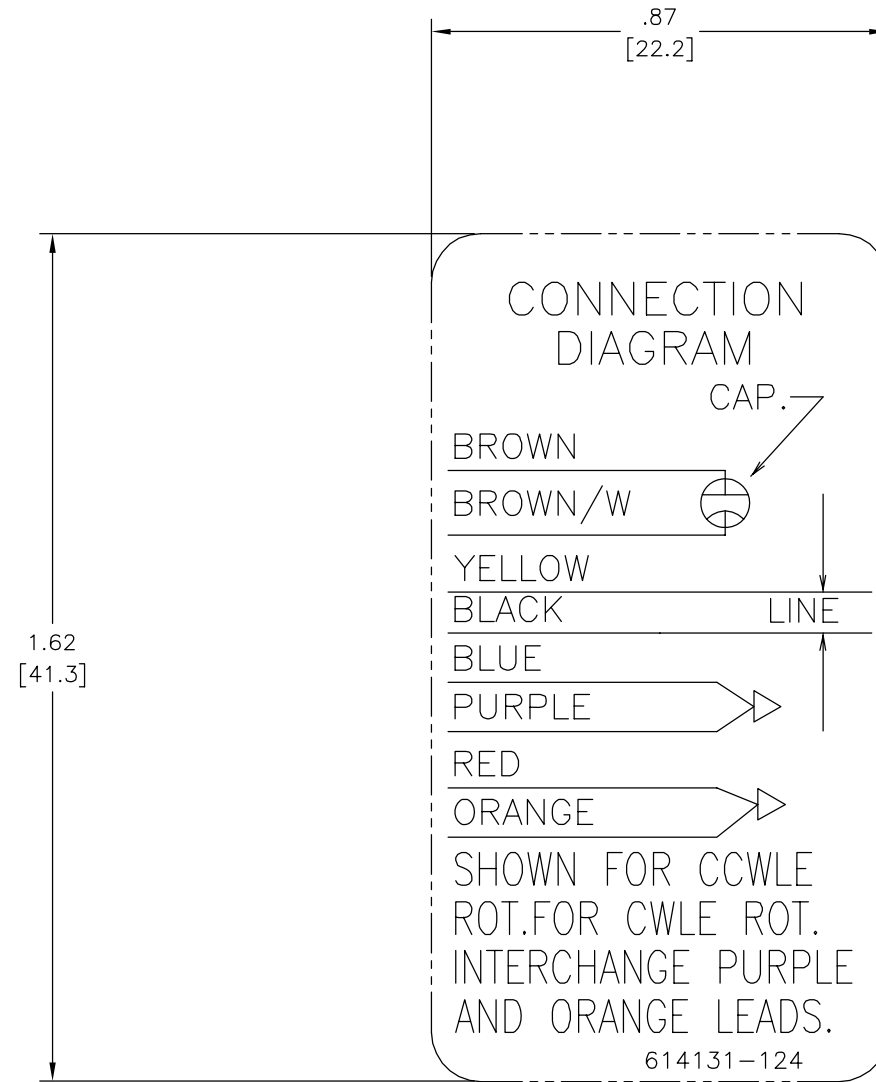
2

1

REV	ECO	REV BY	DATE	APPD	DATE
B	0006254	H. MARTINEZ	05-18-2009	J. ORTEGA	05-18-2009

D  
C  
B  
A

D  
C  
B  
A



GEOMETRIC CHARACTERISTICS & SYMBOLS

- ▭ FLATNESS
- STRAIGHTNESS
- ∠ ANGULARITY
- ⊥ PERPENDICULARITY (SQUARENESS)
- // PARALLELISM
- ROUNDNESS (CIRCULARITY)
- ⊘ CYLINDRICITY
- △ PROFILE OF ANY SURFACE
- ∩ PROFILE OF ANY LINE
- ↗ RUNOUT
- ⊕ TRUE POSITION
- ◎ CONCENTRICITY
- ≡ SYMMETRY

UNLESS OTHERWISE SPECIFIED  
DIM. TOLERANCES ARE AS FOLLOWS:

INCH X XX XXX XXXX  
mm ±0.1 ±0.02 ±0.005 ±0.0005  
mm ±0.5 ±0.13 ±0.013

ANG. ±.50 DEG  
REMOVE BURRS & BREAK SHARP EDGES:  
INCH .003-.015 mm 0.1-0.4

CORNER FILLETS TO:  
INCH .020 mm 0.5

MACHINE SURFACES:  
INCH 125 mm 3.2

METRIC DIMS. SHOWN IN [BRACKETS]

DR BY:	R. LEWIS	8-27-1985
APPD:		
THIRD ANGLE PROJECTION		EDS DATE 02-22-2008 FORMAT REV F
CONFIDENTIAL: THIS DRAWING AND ITS INFORMATION ARE THE EXCLUSIVE AND CONFIDENTIAL PROPERTY OF A.O. SMITH CORP. AND ARE NOT TO BE DISCLOSED, DUPLICATED, DISTRIBUTED OR OTHERWISE USED WITHOUT THE WRITTEN CONSENT OF A.O. SMITH CORP. -ALL RIGHTS RESERVED. ASME Y14.5M 1994		

	<b>ELECTRICAL PRODUCTS COMPANY</b> A DIVISION OF A. O. SMITH CORPORATION
DESCRIPTION CONN DIAGRAM-EXTERNAL	
SIZE C	DWG NO 614131-124
SCALE NONE	SHEET 1

4

3

2

1

4

3

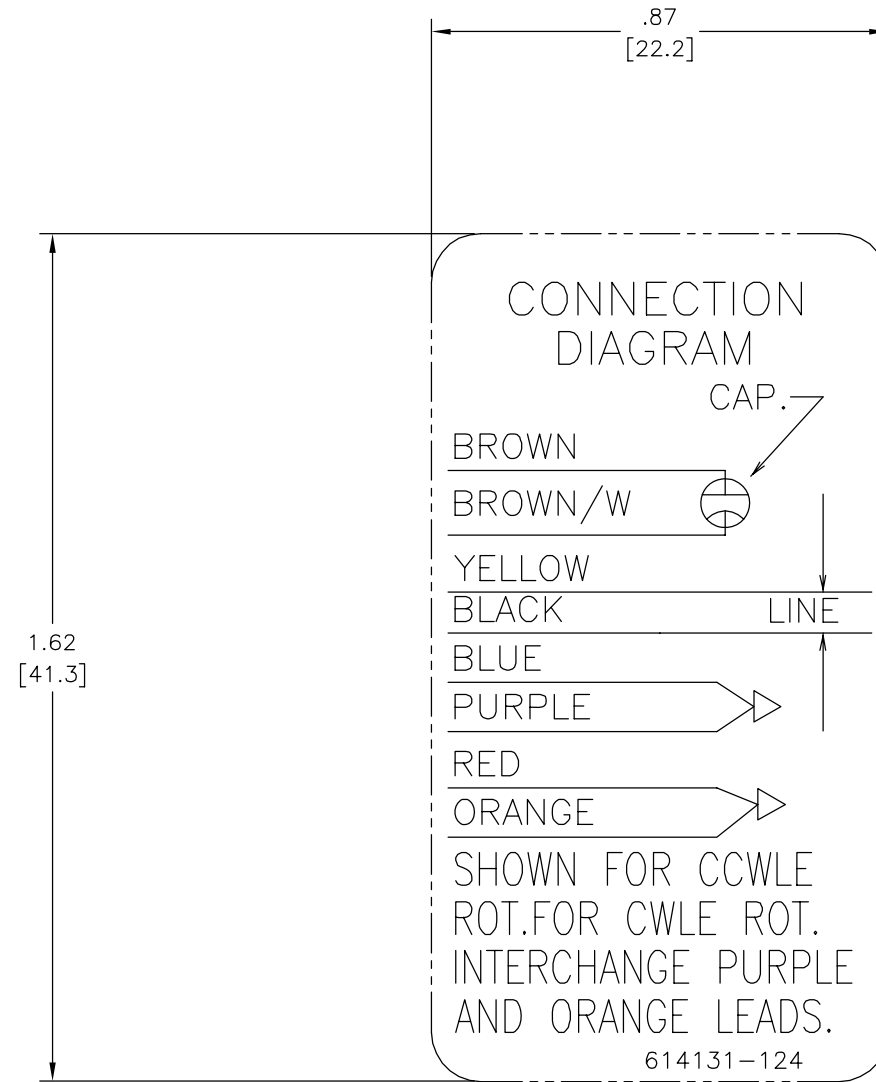
2

1

REVISION:	ECO	REVISADO POR:	FECHA:	APROBADO POR:	FECHA:
B	0006254	H. MARTINEZ	05-18-2009	J. ORTEGA	05-18-2009

D  
C  
B  
A

D  
C  
B  
A



CARACTERISTICAS DE GEOMETRIA Y SIMBOLOS

- PLANICIDAD
- RECTITUD
- < ANGULARIDAD
- ⊥ PERPENDICULARIDAD (A ESCUADRA)
- // PARALELISMO
- REDONDEZ (CIRCULARIDAD)
- ∅ CILINDRICIDAD
- △ PERFIL DE CUALQUIER SUPERFICIE
- ∧ PERFIL DE CUALQUIER LINEA
- ↑ VARIACION
- ⊕ POSICION REAL
- ◎ CONCENTRICIDAD
- ≡ SIMETRIA

A MENOS QUE SE ESPECIFIQUE DE OTRA MANERA, LAS TOLERANCIAS DE LAS DIMS. SON LAS SIGUIENTES:

PULG ±.1 ±.02 ±.005 ±.0005  
 mm ±0.5 ±0.13 ±0.013

ANG. ±.50 GRADOS

ELIMINAR REBABAS Y ORILLAS FILOSAS DEL BORDE.

PULG .003-.015 mm 0.1-0.4

FILETEAR ESQUINA: PULG .020 mm 0.5

MAQUINAR SUPERFICIES

PULG 125 mm 3.2

DIMS METRICAS MOSTRADAS [PARENTESIS]

DIBUJADO POR:	R.LEWIS	8-27-1985
APROBADO POR:		
TERCER ANGULO DE PROYECCION	⊕	FECHA EDS: 02-22-2008 REV. FORMATO: F
CONFIDENCIAL: ESTE DIBUJO Y SU INFORMACION SON PROPIEDAD DE USO EXCLUSIVO Y CONFIDENCIAL DE A.O.SMITH CORP. Y NO DEBERAN SER REVELADOS, DUPLICADOS, DISTRIBUIDOS O USARSE DE OTRA MANERA SIN EL CONSENTIMIENTO ESCRITO DE A.O. SMITH CORP. -TODOS LOS DERECHOS RESERVADOS. ASME Y14.5M 1994		

<b>ACSmith</b> Innovation has a name.		<b>ELECTRICAL PRODUCTS COMPANY</b> A DIVISION OF A. O. SMITH CORPORATION	
DESCRIPCION:			
TAMAÑO: C	NUMERO DE DIBUJO: 614131-124		
ESCALA: NONE			HOJA: 1

4

3

2

1

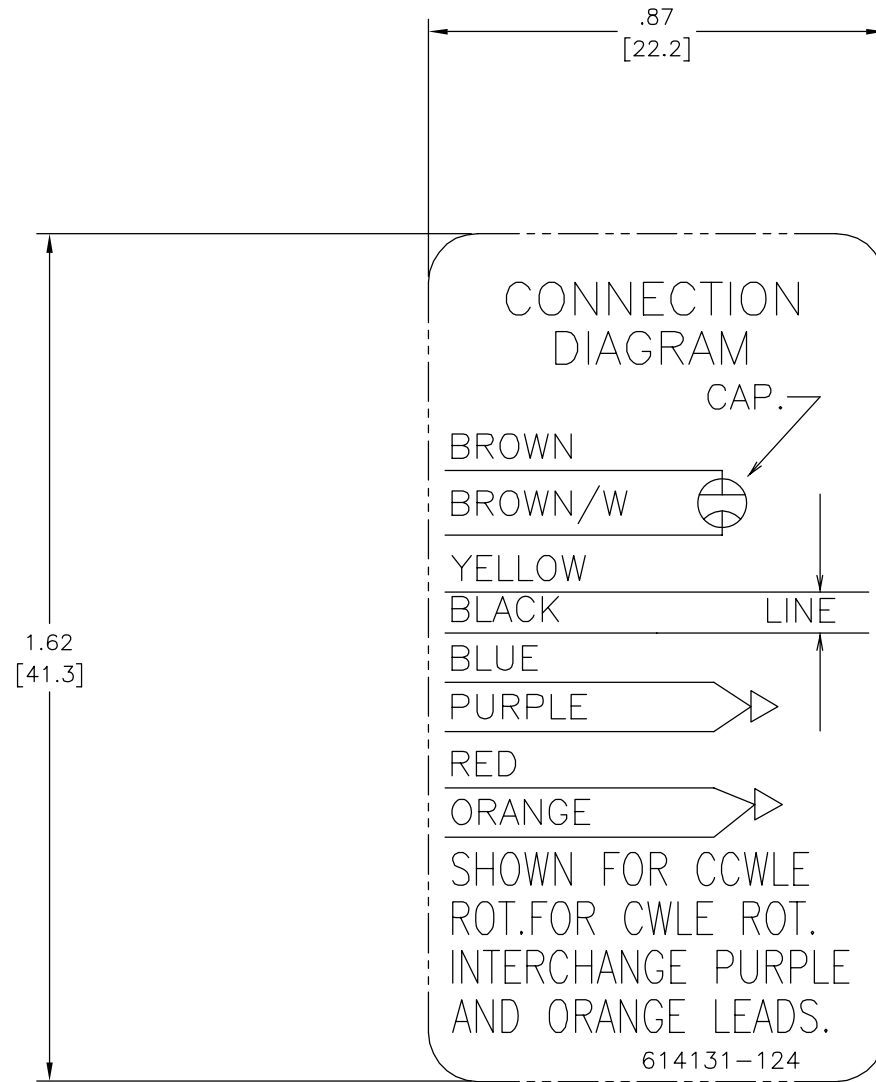
4

3

2

1

版本	ECO	编制	日期	批准	日期
B	0006254	H. MARTINEZ	05-18-2009	J. ORTEGA	05-18-2009



形位公差
□ 平面度
— 直线度
∠ 倾斜度
⊥ 垂直度
// 平行度
○ 圆度
⊘ 圆柱度
△ 面轮廓度
∩ 线轮廓度
↗ 圆跳动
⊕ 位置度
⊙ 同轴度
≡ 对称度

除另有注明 尺寸公差如下:
英寸 X ±.1 XX ±.02 XXX ±.005 XXXX ±.0005
毫米 ±0.5 ±0.13 ±0.013
角度 ±.50 度
清理毛刺和尖棱
英寸 .003-.015 毫米 0.1-0.4
内圆角
英寸 .020 毫米 0.5
表面粗糙度
英制 125 米制 3.2
米制尺寸显示在 [ ]

绘图:	R.LEWIS	8-27-1985
批准:		
第三角投影		图纸格式发布日期 02-22-2008 图纸格式版本 F
机密: 本图纸及相关信息所有权归A. O. SMITH公司所有。未经A. O. SMITH公司书面授权, 不得泄露、复制、传播或作其他用途。—版权所有		
ASME Y14.5M 1994		

		<b>ELECTRICAL PRODUCTS COMPANY</b> A DIVISION OF A. O. SMITH CORPORATION	
名称			
图幅	C	图号	614131-124
比例	NONE	页号	1

4

3

2

1

C 31027

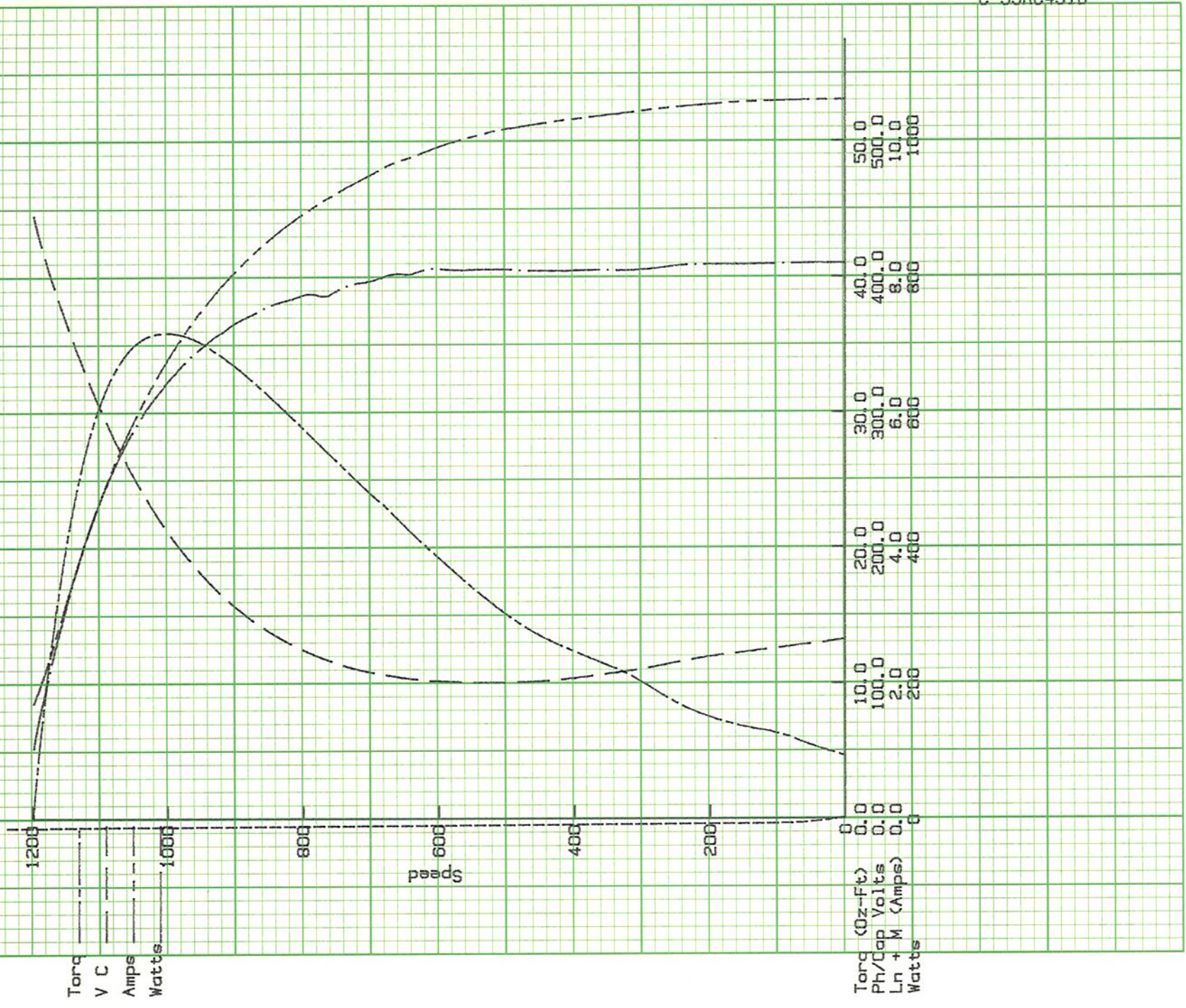
C-93AC451B

C 31027  
US1036X Table #1

A. O. SMITH CORPORATION, ELECTRICAL PRODUCTS COMPANY

Type: FLL Fr: 48 HP: 0.38 Rot: CCW Model: 93AC451B  
 Motor No.: 1 Volts: 115 RPM: 1075 Hz: 60 Cap: 5.0 mfd  
 9/17/93 8:33:07

C-93AC451B



HEWLETT-PACKARD 9270-1006



# Specification & Rating Report

Item Number: **UH1036V1**

Specification Number: **1**

Model Number: **F48V02A01**

Sample Number:

Carton Label Model Number:

Customer Specification Number:

Customer Model Number:

Catalog Number: **UH1036V1**

Agency Type:

CE: **N**

CE Number:

CSA: **Y**

CSA Number: **NO**

UL: **Y**

UL Number: **NO**

UL Explosion Proof Rating:

Cubic Feet Per Minute:

F2 Assembly:

UPC Model Number: **786674033017**

UPC Catalog Number: **786674033017**

Nameplate Drive Bearing Type:

Label Drive Bearing **BALL** Type:

Nameplate Opposite Drive Bearing Type:

Label Opposite Drive **BALL** Bearing Type:

Capacitor: **MOUNTED**

Capacitor Included: **Y**

Capacitor Rating MFD: **5**

Capacitor Rating VAC: **370**

Control Code:

Design Status:

DC Design Number:

Features:

Form Factor:

Connection Diagram:

Installation Diagram:

Lubrication Label Diagram:

Warning Label Diagram:

Outline Diagram: **UH1036V1-S01**

Outline Graphic: **85A**

Ambient Temperature: **40**

Insulation Class: **A**



## Specification & Rating Report

Protector: <b>AUTOMATIC</b>	Thermal Protection:
Nameplate Overload:	Label Overload:
IP Code:	
Nameplate Enclosure: <b>TEAO</b>	Label Enclosure: <b>TEAO</b>
Frame Length: <b>4.0</b>	Frame Length UOM:
Frame Diameter:	Frame Diameter UOM:
Frame Size: <b>48Y</b>	
Frame Material: <b>ROLLED STEEL</b>	End Frame Material:
Operator Instruction Manual:	
Nameplate Mounting:	Label Mounting: <b>STUD/RESILIENT RING</b>
Base Height:	Base Height UOM:
Ring Diameter:	RingDiameterUOM:
Nameplate:	Carton Label:
Nameplate Location <b>L</b> Format:	
Brake:	Tachometer:
Layer Quantity:	Pallet Quantity:
Phase: <b>1</b>	CurrentType:
DC Pole:	
Poles: <b>6</b>	
Speeds: <b>1</b>	
Duty: <b>AIR OVER</b>	
Shaft Diameter: <b>1/2</b>	Shaft Diameter UOM: <b>IN</b>
Shaft Extension: <b>5.5</b>	Shaft Extension UOM: <b>IN</b>
Shaft Material:	Rotation: <b>REVERSIBLE</b>
Shaft Type: <b>FLAT</b>	
Motor Type: <b>UF</b>	
Motor Use:	
Nameplate 1:	
Nameplate 2:	
Nameplate Text 1:	



## Specification & Rating Report

---

Nameplate Text 2:

Nameplate Text 3:

Nameplate Text 4:

Label Text 1: **PERMANENT**

**SPLIT**

**CAPACITOR**

Label Text 2:

Label Text 3: **UNIT**

**HEATER**

**MOTOR**

Label Text 4:

Brand Line:

Vendor Line:

Motor Weight:

Motor Weight UOM:

Shipping Weight:

Shipping Weight UOM:

Armature Field  
Winding:

Core Length:

Core Length UOM:

Winding Code:

Winding Specification:

Nameplate Only  
Instructions:

Nameplate & Label  
Instructions:

Label Only  
Instructions:

## Specification & Rating Report



Rating Number: 1

Horsepower: **1/3**

Volts: **115**

Hertz: **60**

Field Current:

Revolutions Per **1075**  
Minute:

Service Factor: **1.0**

Service Factor Amps:

NEMA Code:

NEMA Design:

Customer Nameplate Number:

Kilowatts:

Amps: **5.3**

Maximum Amps:

Armature Current:

Power Factor:

Service Factor Volts:

NEMA Nominal Efficiency:

NEMA Guaranteed Efficiency: