

PRODUCT INFORMATION PACKET



Model No: UHH1026

Catalog No: UHH1026

Unit Heater Motor, 1/4 HP, 1 Ph, 60 Hz, 208-230 V, 1075 RPM, 1 Speed, 48 Frame, ENCLOSED



Regal and Century are trademarks of Regal Rexnord Corporation or one of its affiliated companies.

©2022 Regal Rexnord Corporation, All Rights Reserved. MC017097E





Nameplate Specifications

Output HP	1/4 Hp	Output KW	0.19 kW
Frequency	60 Hz	Voltage	208-230 V
Current	1.8 A	Speed	1075 rpm
Service Factor	1	Phase	1
Duty	Continuous Air Over	Insulation Class	B
Frame	48Y	Enclosure	Totally Enclosed
Thermal Protection	Automatic	Ambient Temperature	40 °C
UL	Recognized	CSA	Y
CE	N	Number of Speeds	1

Technical Specifications

Electrical Type	Permanent Split Capacitor	Starting Method	Across The Line
Poles	6	Rotation	Reversible
Mounting	Resilient Ring/Extended Studs	Motor Orientation	Any
Drive End Bearing	Ball	Opp Drive End Bearing	Ball
Frame Material	Rolled Steel	Shaft Type	Flat
Overall Length	10.36 in	Frame Length	3.75 in
Shaft Diameter	0.500 in	Shaft Extension	5.5 in
Outline Drawing	F48V21A01-S01	Connection Drawing	614131-124

This is an uncontrolled document once printed or downloaded and is subject to change without notice. Date Created:11/28/2022

4 3 2 1

REV	ECO	REV BY	DATE	APPD	DATE
D	0025400	J.M.Ramirez	04-17-2012	R.Rascon	04-17-2012

GENERAL INFORMATION:

SHAFT RUNOUT: .001[.03] T.I.R. PER INCH LENGTH OF EXTENSION

BEARINGS: BALL

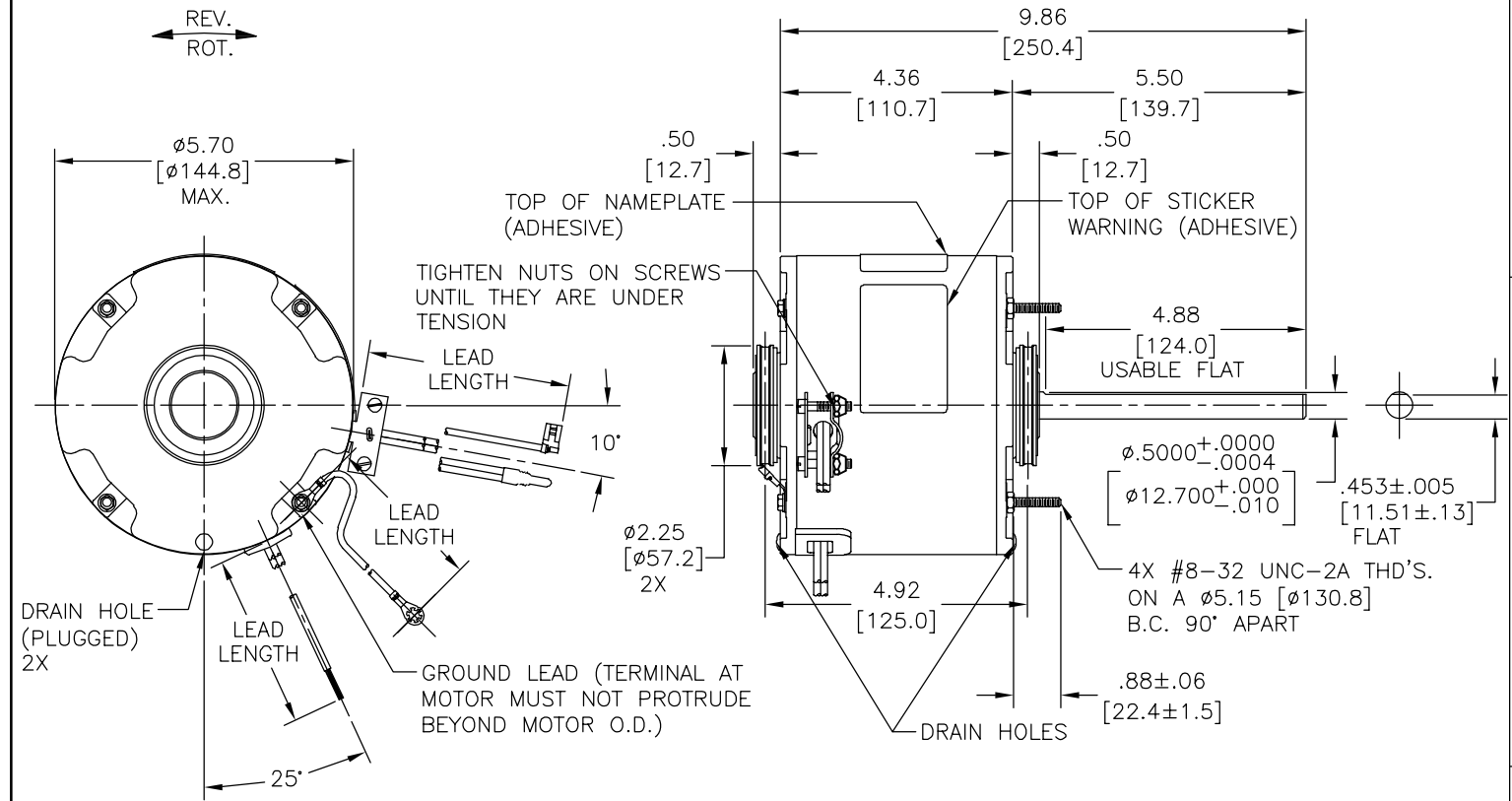
MOUNTING POSITION: ALL ANGLE

ELECTRICAL DATA:

OVERLOAD PROTECTOR: AUTOMATIC RESET (T.I. 7AM 036)

LEADS: NO. 18 GA., .03[.8] THK. XLP 125°C INSUL.

GROUND LEAD: NO. 18 GA., .03[.8] THK. (GREEN/YELLOW) INSUL.



NAMEPLATE DATA:	EXTERNAL CONNECTION DIAGRAM
MODEL NO.: F48V21A01 CUST. P/N: UHH1026 HP: 1/4 ROT.: REVERSIBLE RPM: 1075 TYPE: UF FRAME: 48Y VOLTS: 208-230 PH: 1 AMPS: 1.8 HZ: 60/50 INS.: B AMB.: 40° C DUTY: AIR OVER CAP.: 4 MFD/370 V ENCL: ENCLOSED UL LOGO CSA LOGO THERMALLY PROTECTED	SEP. CAP. BROWN BRN/WHT YELLOW BLACK BLUE PURPLE RED ORANGE SHOWN FOR CCWLE ROT. FOR CWLE INTERCHANGE PUR. & ORN. LEADS 614131-124

COLOR	LENGTH	TERMINAL OR STRIP LENGTH
GREEN/YELLOW (GROUND)	12.0/14.0 [305/356]	#10 EYELET
BROWN/WHITE	48.0/52.0 [1219/1321]	.25[6.4] FLAG
BROWN	48.0/52.0 [1219/1321]	.25[6.4] FLAG
BLUE	48.0/52.0 [1219/1321]	.60[15.2] SKIN
PURPLE	48.0/52.0 [1219/1321]	.60[15.2] SKIN
RED	48.0/52.0 [1219/1321]	.60[15.2] SKIN
ORANGE	48.0/52.0 [1219/1321]	.60[15.2] SKIN
BLACK	48.0/52.0 [1219/1321]	.60[15.2] SKIN
YELLOW	48.0/52.0 [1219/1321]	.60[15.2] SKIN

- NOTES:
- (1) MOUNTING BASE 368C181H15
 (2) CLAMP ASSEMBLY 620836-006
 (1) CAPACITOR 628316-305
 (1) CAPACITOR CAP 260B913H01
 (1) BRACKET ASSEMBLY 616672
 (4) SPLIT RINGS 615035 TO BE SHIPPED SEPARATE IN EACH CARTON WITH MOTOR.
 - MOTOR TO BE SHIPPED CONNECTED FOR CCWLE ROTATION.

PERFORMANCE CURVE NO.	TORQUE @ 1075 RPM (25°C)	APPROVED SAMPLE	UL COMPONENT FILE #	CCN #	CSA FILE #	CLASS #
C32349	25.2 OZ. FT.	0443602A	E46412	PRGY2	LR43341	4211-01

MAIN FRAME - OLE	ENCLOSED
END FRAME - OLE	ENCLOSED
MAIN FRAME - LE	ENCLOSED
END FRAME - LE	ENCLOSED

CUSTOMER	DISTRIBUTION SERVICE
----------	----------------------

GEOMETRIC CHARACTERISTICS & SYMBOLS

- FLATNESS
- STRAIGHTNESS
- ANGULARITY
- PERPENDICULARITY (SQUARENESS)
- PARALLELISM
- ROUNDNESS (CIRCULARITY)
- CYLINDRICITY
- PROFILE OF ANY SURFACE
- PROFILE OF ANY LINE
- RUNOUT
- TRUE POSITION
- CONCENTRICITY
- SYMMETRY

ASME Y14.5M 1994

REGAL-BELOIT CORPORATION (RBC) PROVIDES TECHNICAL ASSISTANCE TO OUR CUSTOMERS IN SEVERAL AREAS. SINCE RBC DOES NOT RECEIVE ALL DATA CONCERNING THE USE AND APPLICATION OF THE MOTOR, THE SUITABILITY OF THE MOTOR FOR THE APPLICATION MUST BE DETERMINED BY THE CUSTOMER.

DIMENSIONS WITHOUT TOLERANCES ARE FOR REFERENCE ONLY.

DR BY: -

APPD: B.Shank 09-10-2004

EDS DATE 11-11-2011

FORMAT REV G

THIRD ANGLE PROJECTION

CONFIDENTIAL: THIS DRAWING AND ITS INFORMATION ARE THE EXCLUSIVE AND CONFIDENTIAL PROPERTY OF REGAL-BELOIT CORPORATION AND ARE NOT TO BE DISCLOSED, DUPLICATED, DISTRIBUTED OR OTHERWISE USED WITHOUT THE WRITTEN CONSENT OF REGAL-BELOIT CORPORATION. -ALL RIGHTS RESERVED.

REGAL-BELOIT CORPORATION

DESCRIPTION: MODEL-RFHP-48FR OUTLINE

SIZE: C DWG NO: F48V21A01

SCALE: NONE SHEET: 1

4 3 2 1

4 3 2 1

REVISION:	ECO	REVISADO POR:	FECHA:	APROBADO POR:	FECHA:
D	0025400	J.M.Ramirez	04-17-2012	R.Rascon	04-17-2012

INFORMACION GENERAL:

OSCILACION DE FLECHA: .001[.03] L.T.I. POR PULG. DE LONG. DE EXTENSION

BALEROS: BALINES

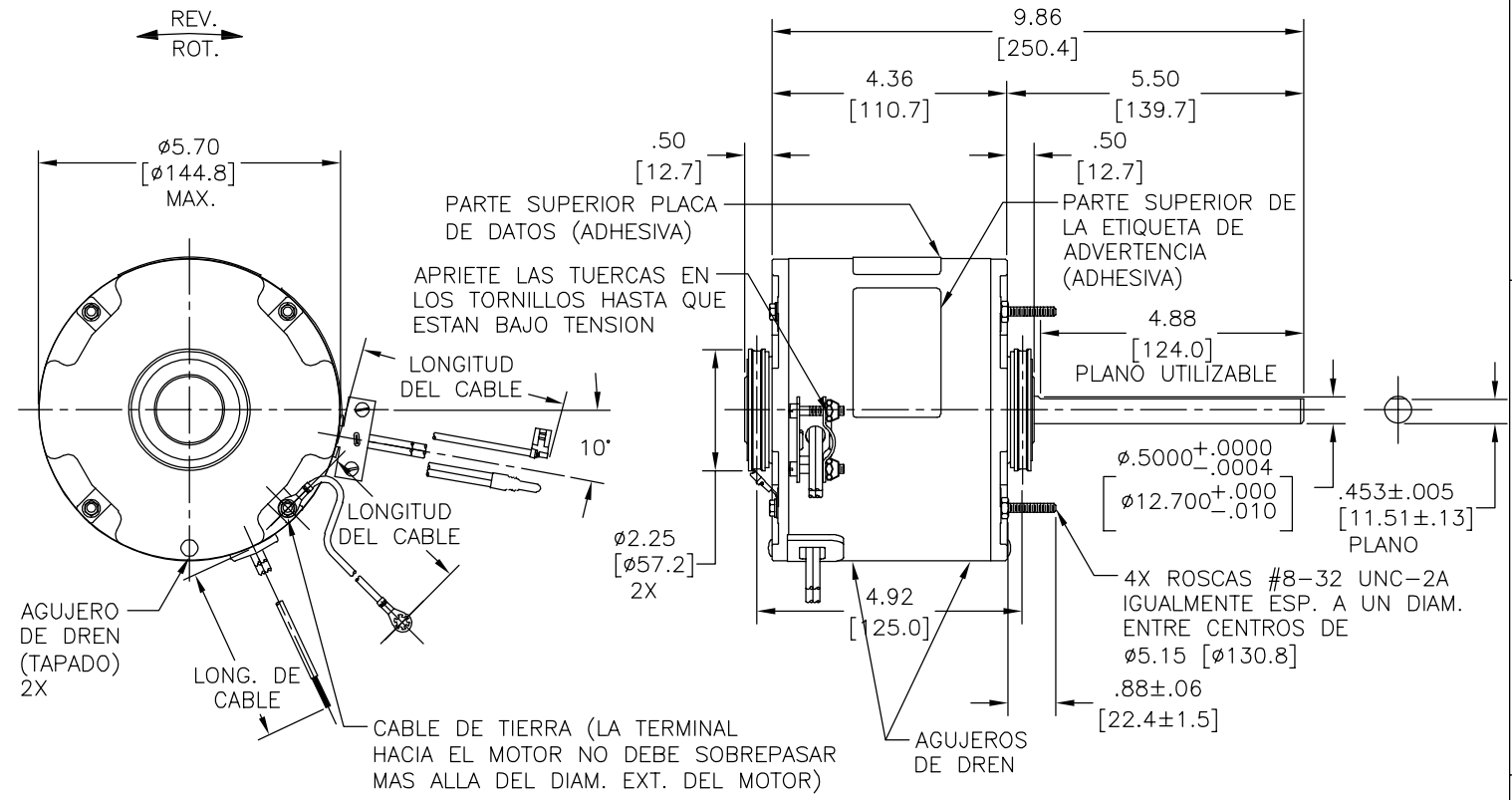
POSICION DEL MONTAJE: TODOS LOS ANGULOS

INFORMACION ELECTRICA:

PROTECTOR DE SOBRECARGA: REINICIO AUTOMATICO (T.I. 7AM 036)

CABLES: NO. 18 CALIBRE, .03[.8] ESPESOR XLP 125°C ASLAM.

CABLE DE TIERRA: NO. 18 CALIBRE, .03[.8] ESPESOR XLP 125°C AISLAM.



INFORMACION DE ETIQUETA:	DIAGRAMA DE CONEXION EXTRNA
MODEL NO.: F48V21A01 CUST. P/N: UHH1026 HP: 1/4 ROT.: REVERSIBLE RPM: 1075 TYPE: UF FRAME: 48Y VOLTS: 208-230 PH: 1 AMPS: 1.8 HZ: 60/50 INS.: B AMB.: 40° C DUTY: AIR OVER CAP.: 4 MFD/370 V ENCL: ENCLOSED UL LOGO CSA LOGO THERMALLY PROTECTED	SEP. CAP. BROWN BRN/WHT YELLOW BLACK BLUE PURPLE RED ORANGE LINE SHOWN FOR CCWLE ROT. FOR CWLE INTERCHANGE PUR. & ORN. LEADS 614131-124

VERDE/AMARILLO (TIERRA)	12.0/14.0 [305/356]	OJAL #10
CAFE/BLANCO	48.0/52.0 [1219/1321]	.25 [6.4] BANDERA
CAFE	48.0/52.0 [1219/1321]	.25 [6.4] BANDERA
AZUL	48.0/52.0 [1219/1321]	.60 [15.2] FORRO
PURPURA	48.0/52.0 [1219/1321]	.60 [15.2] FORRO
ROJO	48.0/52.0 [1219/1321]	.60 [15.2] FORRO
NARANJA	48.0/52.0 [1219/1321]	.60 [15.2] FORRO
NEGRO	48.0/52.0 [1219/1321]	.60 [15.2] FORRO
AMARILLO	48.0/52.0 [1219/1321]	.60 [15.2] FORRO
COLOR	LONGITUD	TERMINAL O LONGITUD DE DESFORRE

- NOTAS:**
- (1) BASE DEL MONTAJE 368C81H1
 (2) EMSAMBLE DE LA ABRAZADERA 620836-006
 (1) CAPACITOR 628316-307
 (1) TAPA CAPACITOR 260B913H01
 (1) EMSAMBLE DE SOPORTE 616672
 (4) ANILLOS PARTIDOS 615035
 PARA SER SEPARADO ENVIADO EN CADA CARTON CON EL MOTOR.
 - EL MOTOR QUE SE ENVIARA CONECTO PARA LA ROTACION DE CCWLE.

CARCASA - LOC	CERRADO	CLIENTE	DISTRIBUTION SERVICE
TAPA - LOC	CERRADO		
CARCASA - LC	CERRADO		
TAPA - LC	CERRADO		

CURVAS DE FUNCIONAMIENTO	TORSION @ 1075 RPM (25°C)	MUESTRA APROBADA	COMPONENTE UL	CSA
C32349	25.2 OZ. FT.	0443602A	#ARCHIVO PRGY2	LR43341 4211-01

CARACTERISTICAS DE GEOMETRIA Y SIMBOLOS

- PLANICIDAD
- RECTITUD
- ANGULARIDAD
- PERPENDICULARIDAD (A ESCUADRA)
- PARALELISMO
- REDONDEZ (CIRCULARIDAD)
- CILINDRICIDAD
- PERFIL DE CUALQUIER SUPERFICIE
- PERFIL DE CUALQUIER LINEA
- VARIACION
- POSICION REAL
- CONCENTRICIDAD
- SIMETRIA

ASME Y14.5M 1994

REGAL-BELOIT CORPORATION (RBC) PROVEE ASISTENCIA TECNICA A NUESTROS CLIENTES EN VARIAS AREAS DESDE QUE RBC NO RECIBE TODOS LOS DATOS EN RELACION AL USO Y A LA APLICACION DEL MOTOR, LA APLICACION ADECUADA DEL MOTOR DEBE SER DETERMINADA POR EL CLIENTE.

DIMENSIONES SIN TOLERANCIA SON DE REFERENCIA SOLAMENTE

DIBUJADO POR: -

APROBADO POR: B.Shank 09-10-2004

FECHA EDS: 11-11-2011

REV. FORMATO: G

CONFIDENCIAL: ESTE DIBUJO Y SU INFORMACION SON PROPIEDAD DE USO EXCLUSIVO Y CONFIDENCIAL DE REGAL-BELOIT CORPORATION. Y NO DEBERAN SER REVELADOS, DUPLICADOS, DISTRIBUIDOS O USARSE DE OTRA MANERA SIN EL CONSENTIMIENTO ESCRITO DE REGAL-BELOIT CORPORATION. -TODOS LOS DERECHOS RESERVADOS.

REGAL-BELOIT CORPORATION

DESCRIPCION: MODEL-RFHP-48FR OUTLINE

TAMAÑO: C NUMERO DE DIBUJO: F48V21A01

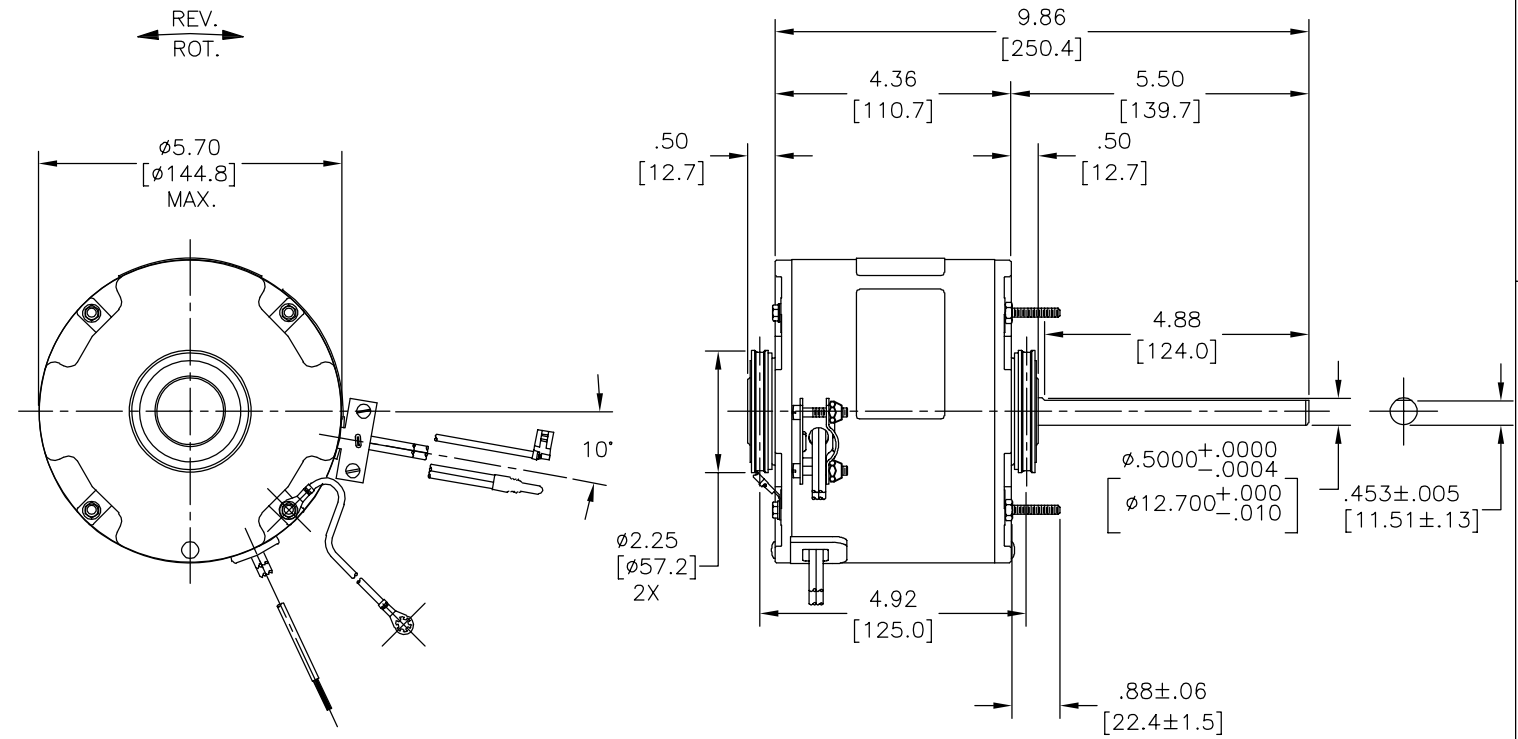
ESCALA: NONE HOJA: 1

4 3 2 1

4 3 2 1

版本	ECO	编制	日期	批准	日期
D	0025400	J.M.Ramirez	04-17-2012	R.Rascon	04-17-2012

总技术要求:
轴跳动:
轴承:
安装位置:
电气数据:
过载保护:
引线:
接地线:



铭牌数据	外部数据线
MODEL NO.: F48V21A01 CUST. P/N: UHH1026 HP: 1/4 ROT.: REVERSIBLE RPM: 1075 TYPE: UF FRAME: 48Y VOLTS: 208-230 PH: 1 AMPS: 1.8 HZ: 60/50 INS.: B AMB.: 40° C DUTY: AIR OVER CAP.: 4 MFD/370 V ENCL: ENCLOSED UL LOGO CSA LOGO THERMALLY PROTECTED	SEP. CAP. BROWN BRN/WHT YELLOW BLACK BLUE PURPLE RED ORANGE LINE SHOWN FOR CCWLE ROT. FOR CWLE INTERCHANGE PUR. & ORN. LEADS 614131-124

	12.0/14.0	
	[305/356]	
	48.0/52.0	
	[1219/1321]	
	48.0/52.0	
	[1219/1321]	
	48.0/52.0	
	[1219/1321]	
	48.0/52.0	
	[1219/1321]	
	48.0/52.0	
	[1219/1321]	
	48.0/52.0	
	[1219/1321]	
	48.0/52.0	
	[1219/1321]	
	48.0/52.0	
	[1219/1321]	
颜色	长度	端子或剥线长度

无引线端机壳	
无引线端端盖	
有引线端机壳	
有引线端端盖	

用户	DISTRIBUTION SERVICE
----	----------------------

性能曲线编号	转矩在 @ 1075 RPM (25° C)	批准样品	UL部件	CSA
C32349	25.2 OZ. FT.	0443602A	文件号 指南	文件号 指南
			E46412 PRGY2	LR43341 4211-01

REGAL-BELOIT CORPORATION (RBC) 在个别领域为客户提供技术支持。鉴于 RBC 未收到任何涉及电机使用和应用环境的数据，电机的适用性由客户自己决定。
未注公差尺寸仅供参考。

绘图:	-
批准:	B.Shank 09-10-2004
第三角投影	图纸格式发布日期 11-11-2011 图纸格式版本 G
机密:	本图纸及相关信息所有权归REGAL-BELOIT CORPORATION。未经REGAL-BELOIT CORPORATION书面授权，不得泄露、复制、传播或作其他用途。一版权所有

REGAL-BELOIT CORPORATION	
名称	MODEL-RFHP-48FR OUTLINE
图幅	C
图号	F48V21A01
比例	NONE
页号	1

4 3 2 1

4

3

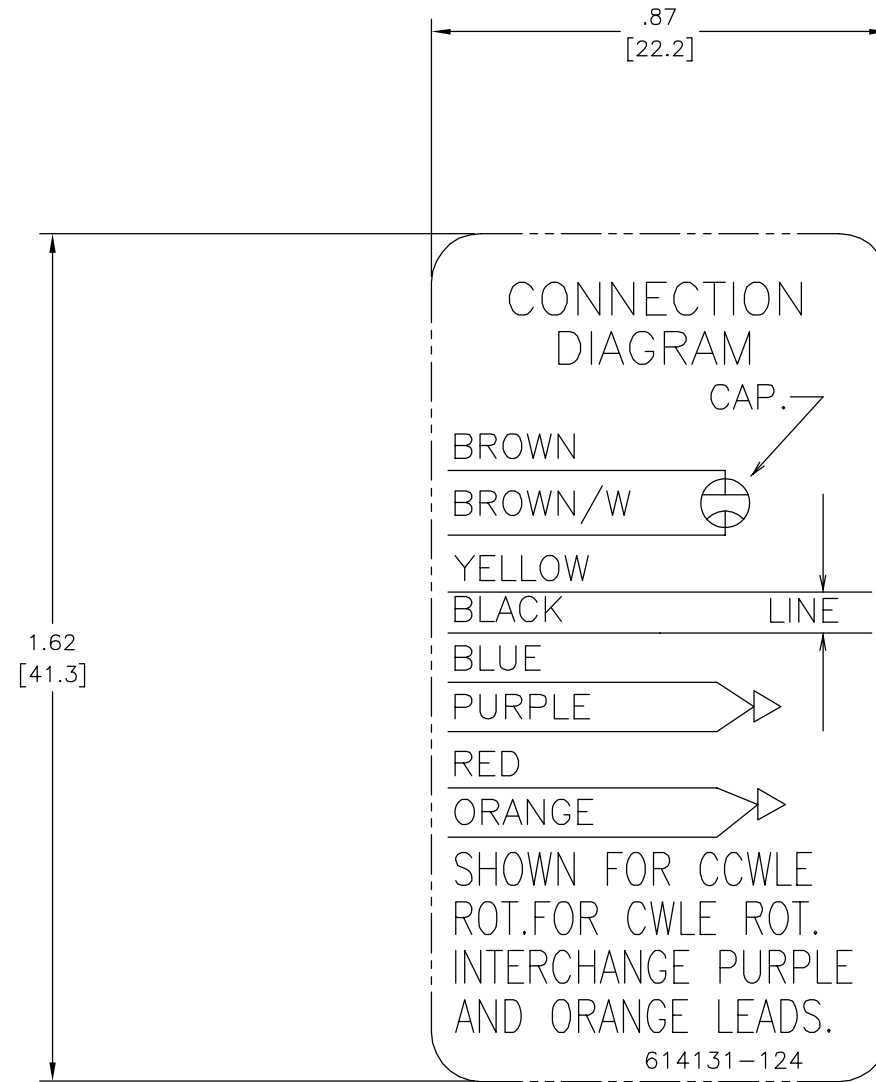
2

1

REV	ECO	REV BY	DATE	APPD	DATE
B	0006254	H. MARTINEZ	05-18-2009	J. ORTEGA	05-18-2009

D
C
B
A

D
C
B
A



GEOMETRIC CHARACTERISTICS & SYMBOLS

- ▭ FLATNESS
- STRAIGHTNESS
- ∠ ANGULARITY
- ⊥ PERPENDICULARITY (SQUARENESS)
- // PARALLELISM
- ROUNDNESS (CIRCULARITY)
- ⊘ CYLINDRICITY
- △ PROFILE OF ANY SURFACE
- ∩ PROFILE OF ANY LINE
- ↗ RUNOUT
- ⊕ TRUE POSITION
- ◎ CONCENTRICITY
- ≡ SYMMETRY

UNLESS OTHERWISE SPECIFIED DIM. TOLERANCES ARE AS FOLLOWS:

INCH	±.1	±.02	±.005	±.0005
mm	±0.5	±0.13	±0.013	

ANG. ±.50 DEG
REMOVE BURRS & BREAK SHARP EDGES:
INCH .003-.015 mm 0.1-0.4

CORNER FILLETS TO:
INCH .020 mm 0.5

MACHINE SURFACES:
INCH 125 mm 3.2

METRIC DIMS. SHOWN IN [BRACKETS]

DR BY:	R.LEWIS	8-27-1985
APPD:		
THIRD ANGLE PROJECTION		EDS DATE 02-22-2008 FORMAT REV F
CONFIDENTIAL: THIS DRAWING AND ITS INFORMATION ARE THE EXCLUSIVE AND CONFIDENTIAL PROPERTY OF A.O. SMITH CORP. AND ARE NOT TO BE DISCLOSED, DUPLICATED, DISTRIBUTED OR OTHERWISE USED WITHOUT THE WRITTEN CONSENT OF A.O. SMITH CORP. -ALL RIGHTS RESERVED. ASME Y14.5M 1994		

	ELECTRICAL PRODUCTS COMPANY <small>A DIVISION OF A. O. SMITH CORPORATION</small>
DESCRIPTION CONN DIAGRAM-EXTERNAL	
SIZE C	DWG NO 614131-124
SCALE NONE	SHEET 1

4

3

2

1

4

3

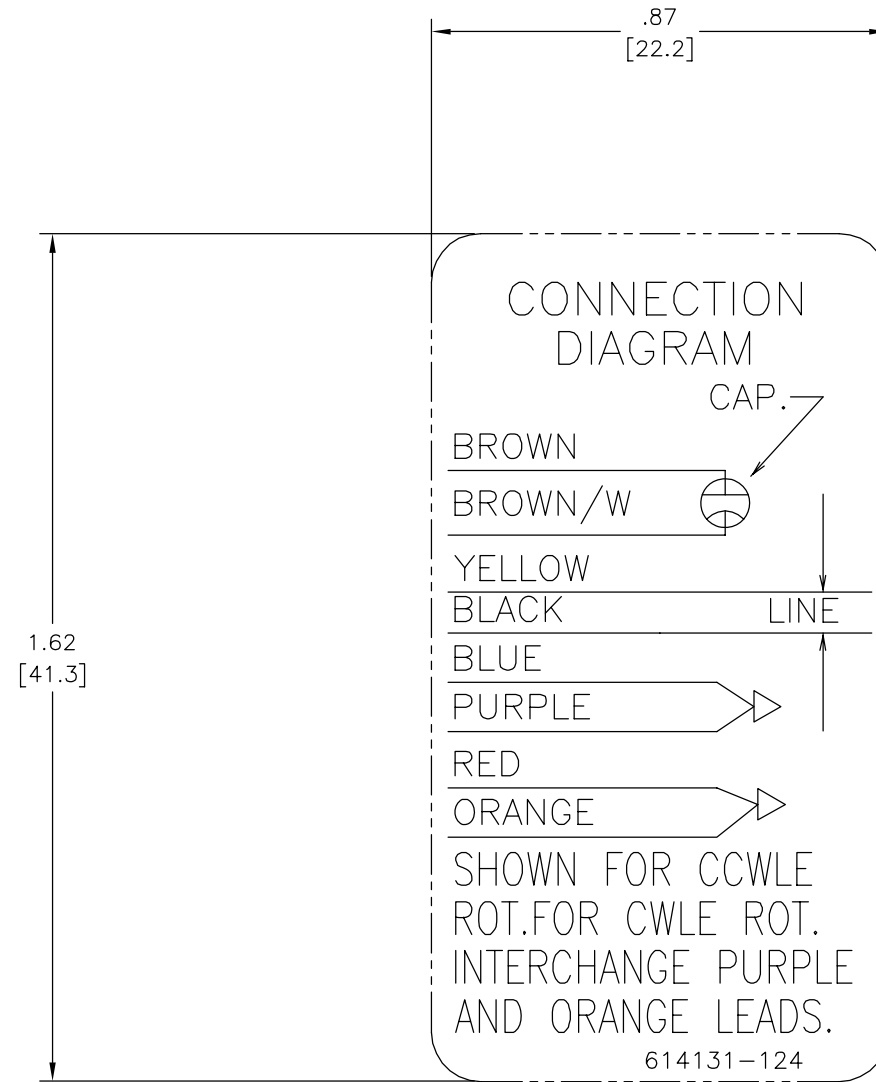
2

1

REVISION:	ECO	REVISADO POR:	FECHA:	APROBADO POR:	FECHA:
B	0006254	H. MARTINEZ	05-18-2009	J. ORTEGA	05-18-2009

D
C
B
A

D
C
B
A



CARACTERISTICAS DE GEOMETRIA Y SIMBOLOS

- ▢ PLANICIDAD
- RECTITUD
- ∠ ANGULARIDAD
- ⊥ PERPENDICULARIDAD (A ESCUADRA)
- // PARALELISMO
- REDONDEZ (CIRCULARIDAD)
- ∅ CILINDRICIDAD
- △ PERFIL DE CUALQUIER SUPERFICIE
- ∧ PERFIL DE CUALQUIER LINEA
- ↑ VARIACION
- ⊕ POSICION REAL
- ◎ CONCENTRICIDAD
- ≡ SIMETRIA

A MENOS QUE SE ESPECIFIQUE DE OTRA MANERA, LAS TOLERANCIAS DE LAS DIMS; SON LAS SIGUIENTES:

PULG $\pm .1$ $\pm .02$ $\pm .005$ $\pm .0005$
 mm ± 0.5 ± 0.13 ± 0.013

ANG. ± 50 GRADOS

ELIMINAR REBABAS Y ORILLAS FILOSAS DEL BORDE.

PULG .003-.015 mm 0.1-0.4

FILETEAR ESQUINA: PULG .020 mm 0.5

MAQUINAR SUPERFICIES

PULG 125 mm 3.2

DIMS METRICAS MOSTRADAS [PARENTESIS]

DIBUJADO POR:	R.LEWIS	8-27-1985
APROBADO POR:		
TERCER ANGULO DE PROYECCION		FECHA EDS: 02-22-2008 REV. FORMATO: F
CONFIDENCIAL: ESTE DIBUJO Y SU INFORMACION SON PROPIEDAD DE USO EXCLUSIVO Y CONFIDENCIAL DE A.O.SMITH CORP. Y NO DEBERAN SER REVELADOS, DUPLICADOS, DISTRIBUIDOS O USARSE DE OTRA MANERA SIN EL CONSENTIMIENTO ESCRITO DE A.O. SMITH CORP. -TODOS LOS DERECHOS RESERVADOS. ASME Y14.5M 1994		

		ELECTRICAL PRODUCTS COMPANY <small>A DIVISION OF A. O. SMITH CORPORATION</small>	
DESCRIPCION:			
TAMAÑO: C	NUMERO DE DIBUJO: 614131-124		
ESCALA: NONE			HOJA: 1

4

3

2

1

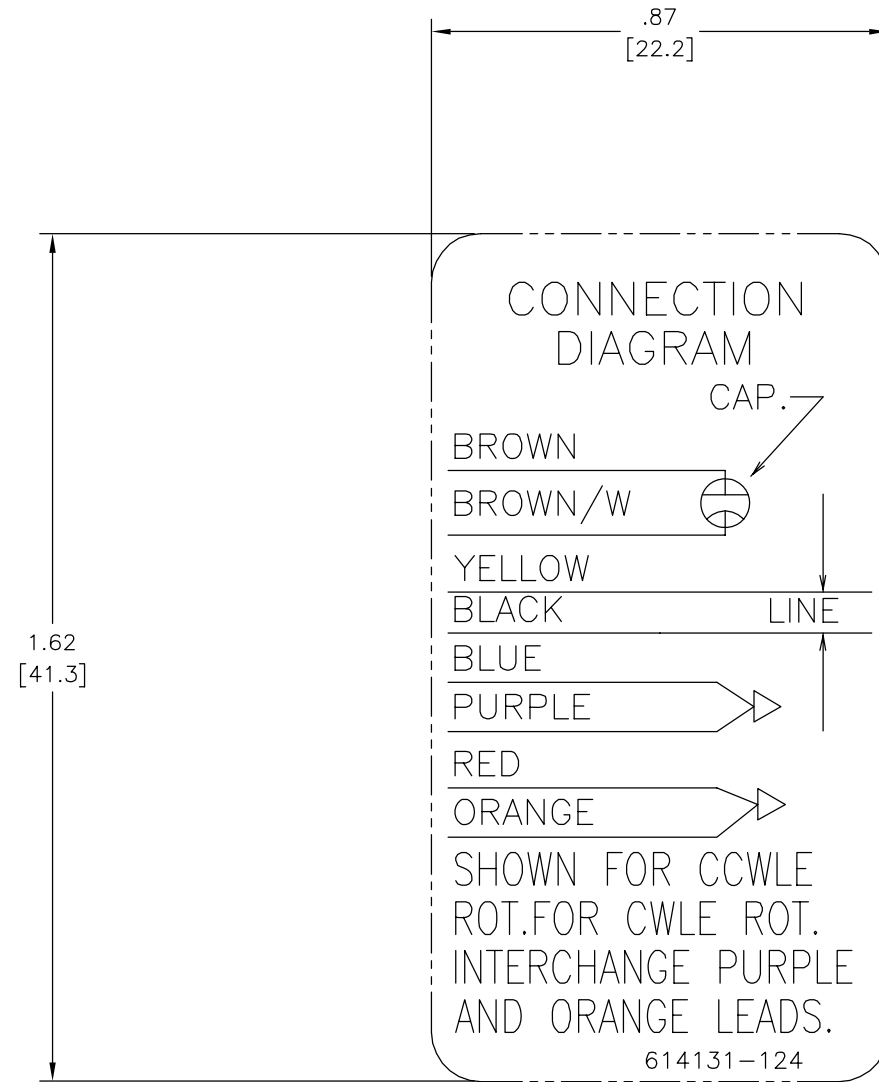
4

3

2

1

版本	ECO	编制	日期	批准	日期
B	0006254	H. MARTINEZ	05-18-2009	J. ORTEGA	05-18-2009



形位公差
□ 平面度
— 直线度
∠ 倾斜度
⊥ 垂直度
// 平行度
○ 圆度
⊘ 圆柱度
△ 面轮廓度
∩ 线轮廓度
↗ 圆跳动
⊕ 位置度
⊙ 同轴度
≡ 对称度

除另有注明 尺寸公差如下:
英寸 X ±.1 XX ±.02 XXX ±.005 XXXX ±.0005
毫米 ±0.5 ±0.13 ±0.013
角度 ±.50 度
清理毛刺和尖棱
英寸 .003-.015 毫米 0.1-0.4
内圆角
英寸 .020 毫米 0.5
表面粗糙度
英制 125 米制 3.2
米制尺寸显示在 []

绘图:	R.LEWIS	8-27-1985
批准:		
第三角投影		图纸格式发布日期 02-22-2008 图纸格式版本 F
机密: 本图纸及相关信息所有权归A. O. SMITH公司所有。未经A. O. SMITH公司书面授权, 不得泄露、复制、传播或作其他用途。—版权所有		
ASME Y14.5M 1994		

ACSmith Innovation has a name.		ELECTRICAL PRODUCTS COMPANY A DIVISION OF A. O. SMITH CORPORATION	
名称			
图幅	C	图号	614131-124
比例	NONE	页号	1

4

3

2

1