

# PRODUCT INFORMATION PACKET



Model No: UHH1036

Catalog No: UHH1036

Unit Heater Motor, 1/3 HP, 1 Ph, 60/50 Hz, 208-230 V, 1075 RPM, 1 Speed, 48 Frame, TEAO



Regal and Century are trademarks of Regal Rexnord Corporation or one of its affiliated companies.  
©2025 Regal Rexnord Corporation, All Rights Reserved. MC017097E





**Nameplate Specifications**

Phase	1	Output HP	1/3 Hp
Output KW	0.25 kW	Voltage	208-230 V
Speed	1075 rpm	Service Factor	1.0
Frame	48Y	Enclosure	Totally Enclosed Air Over
Thermal Protection	Automatic	Ambient Temperature	40 °C
Frequency	60/50 Hz	Current	2.2 A
Duty	Air Over	Insulation Class	B
UL	Recognized	CSA	Y
CE	N	Number of Speeds	1

**Technical Specifications**

Electrical Type	Permanent Split Capacitor	Starting Method	Across The Line
Poles	6	Rotation	Reversible
Mounting	Resilient Ring/Extended Studs	Motor Orientation	Any
Drive End Bearing	Ball	Opp Drive End Bearing	Ball
Frame Material	Rolled Steel	Shaft Type	Flat
Overall Length	10.61 in	Frame Length	4.00 in
Shaft Diameter	0.500 in	Shaft Extension	5.5 in
Connection Drawing	614131-124	Outline Drawing	F48V20A01-S01

This is an uncontrolled document once printed or downloaded and is subject to change without notice. Date Created:06/18/2025

4

3

2

1

REV	ECO	REV BY	DATE	APPD	DATE
D	0025583	A. ARREOLA	05-03-2012	D. BALDERRAMA	05-03-2012

GENERAL INFORMATION:

SHAFT RUNOUT: .001 [.03] T.I.R. PER INCH LENGTH OF EXTENSION

BEARINGS: BALL

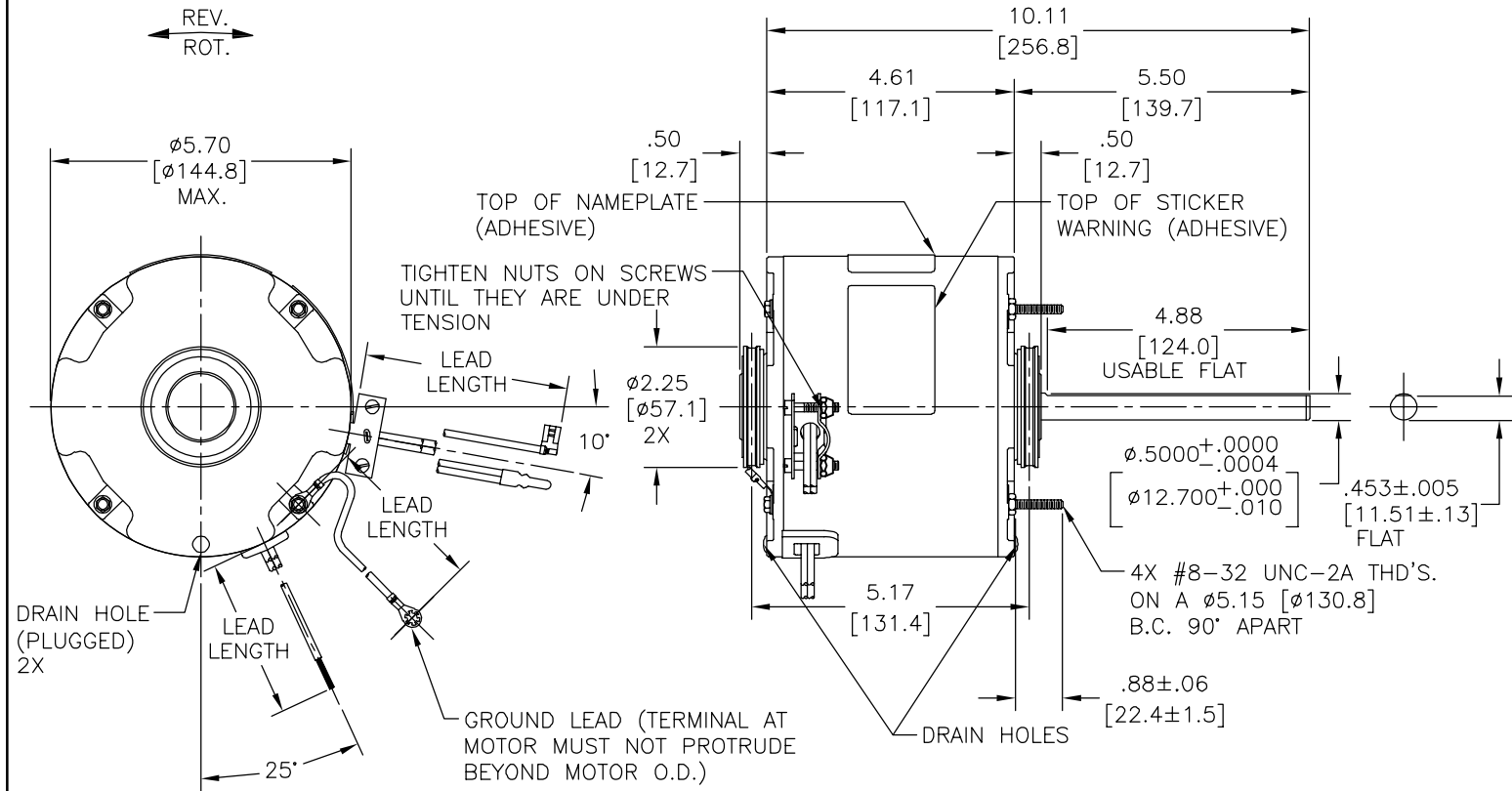
MOUNTING POSITION: ALL ANGLE

ELECTRICAL DATA:

OVERLOAD PROTECTOR: AUTOMATIC RESET (T.I. 7AM 036)

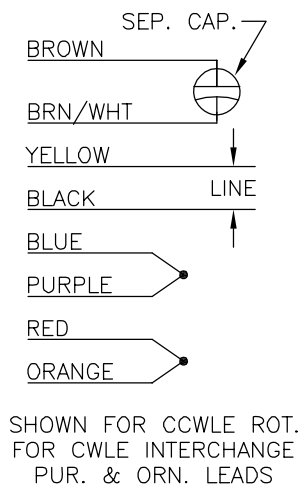
LEADS: NO. 18 GA., .03 [.8] THK. XPL 125°C INSUL.

GROUND LEAD: NO. 18 GA., .03 [.8] THK. (GREEN/YELLOW) INSUL.



NAMEPLATE DATA: EXTERNAL CONNECTION DIAGRAM

MODEL NO.: F48V20A01  
 CUST. P/N: UHH1036  
 HP: 1/3  
 ROT.: REVERSIBLE  
 RPM: 1075  
 TYPE: UF  
 FRAME: 48Y  
 VOLTS: 208-230  
 PH: 1  
 AMPS: 2.2  
 HZ: 60/50  
 INS.: B  
 AMB.: 40° C  
 DUTY: AIR OVER  
 CAP.: 5 MFD/370 V  
 ENCL: ENCLOSED  
 UL LOGO  
 CSA LOGO  
 THERMALLY PROTECTED



614131-124

GREEN/YELLOW (GROUND)	12.0/14.0 [305/356]	#10 EYELET
BROWN/WHITE	48.0/52.0 [1219/1321]	.25 [6.4] FLAG
BROWN	48.0/52.0 [1219/1321]	.25 [6.4] FLAG
BLUE	48.0/52.0 [1219/1321]	.60 [15.2] SKIN
PURPLE	48.0/52.0 [1219/1321]	.60 [15.2] SKIN
RED	48.0/52.0 [1219/1321]	.60 [15.2] SKIN
ORANGE	48.0/52.0 [1219/1321]	.60 [15.2] SKIN
BLACK	48.0/52.0 [1219/1321]	.60 [15.2] SKIN
YELLOW	48.0/52.0 [1219/1321]	.60 [15.2] SKIN
COLOR	LENGTH	TERMINAL OR STRIP LENGTH

NOTES:

- (1) MOUNTING BASE 368C81H11  
 (2) CLAMP ASSEMBLY 620836-006  
 (1) CAPACITOR 628316-307  
 (1) CAPACITOR CAP 260B913H01  
 (1) BRACKET ASSEMBLY 616672  
 (4) SPLIT RINGS 615035  
 TO BE SHIPPED SEPARATE IN EACH CARTON WITH MOTOR.
- MOTOR TO BE SHIPPED CONNECTED FOR CCWLE ROTATION.

MAIN FRAME - OLE	ENCLOSED
END FRAME - OLE	ENCLOSED
MAIN FRAME - LE	ENCLOSED
END FRAME - LE	ENCLOSED

CUSTOMER	DISTRIBUTION SERVICE
----------	----------------------

PERFORMANCE CURVE NO.	TORQUE @ 1075 RPM (25°C)	APPROVED SAMPLE	UL COMPONENT FILE #	CCN #	CSA FILE #	CLASS #
C31952	33.3 OZ. FT.	0443592A	E46412	PRGY2	LR43341	4211-01

GEOMETRIC CHARACTERISTICS & SYMBOLS  
 □ FLATNESS  
 — STRAIGHTNESS  
 ∠ ANGULARITY  
 ⊥ PERPENDICULARITY (SQUARENESS)  
 ∥ PARALLELISM  
 ○ ROUNDNESS (CIRCULARITY)  
 ∅ CYLINDRICITY  
 △ PROFILE OF ANY SURFACE  
 ∩ PROFILE OF ANY LINE  
 ↗ RUNOUT  
 ⊕ TRUE POSITION  
 ⊙ CONCENTRICITY  
 = SYMMETRY  
 ASME Y14.5M 1994

REGAL-BELOIT CORPORATION (RBC) PROVIDES TECHNICAL ASSISTANCE TO OUR CUSTOMERS IN SEVERAL AREAS. SINCE RBC DOES NOT RECEIVE ALL DATA CONCERNING THE USE AND APPLICATION OF THE MOTOR, THE SUITABILITY OF THE MOTOR FOR THE APPLICATION MUST BE DETERMINED BY THE CUSTOMER.

DIMENSIONS WITHOUT TOLERANCES ARE FOR REFERENCE ONLY.

DR BY:

APPD:	B.SHANK	08-25-2004
THIRD ANGLE PROJECTION	EDS DATE	11-11-2011
	FORMAT REV	G

CONFIDENTIAL: THIS DRAWING AND ITS INFORMATION ARE THE EXCLUSIVE AND CONFIDENTIAL PROPERTY OF REGAL-BELOIT CORPORATION AND ARE NOT TO BE DISCLOSED, DUPLICATED, DISTRIBUTED OR OTHERWISE USED WITHOUT THE WRITTEN CONSENT OF REGAL-BELOIT CORPORATION. -ALL RIGHTS RESERVED.



DESCRIPTION	MODEL-RFHP-48FR OUTLINE	
SIZE	C	DWG NO F48V20A01
SCALE	NONE	SHEET 1

4

3

2

1

4

3

2

1

REVISION:	ECO	REVISADO POR:	FECHA:	APROBADO POR:	FECHA:
D	0025583	A. ARREOLA	05-03-2012	D. BALDERRAMA	05-03-2012

**INFORMACION GENERAL:**

OSCILACION DE FLECHA: .001 [.03] T.I.R. PER INCH LENGTH OF EXTENSION

BALEROS: BALAS

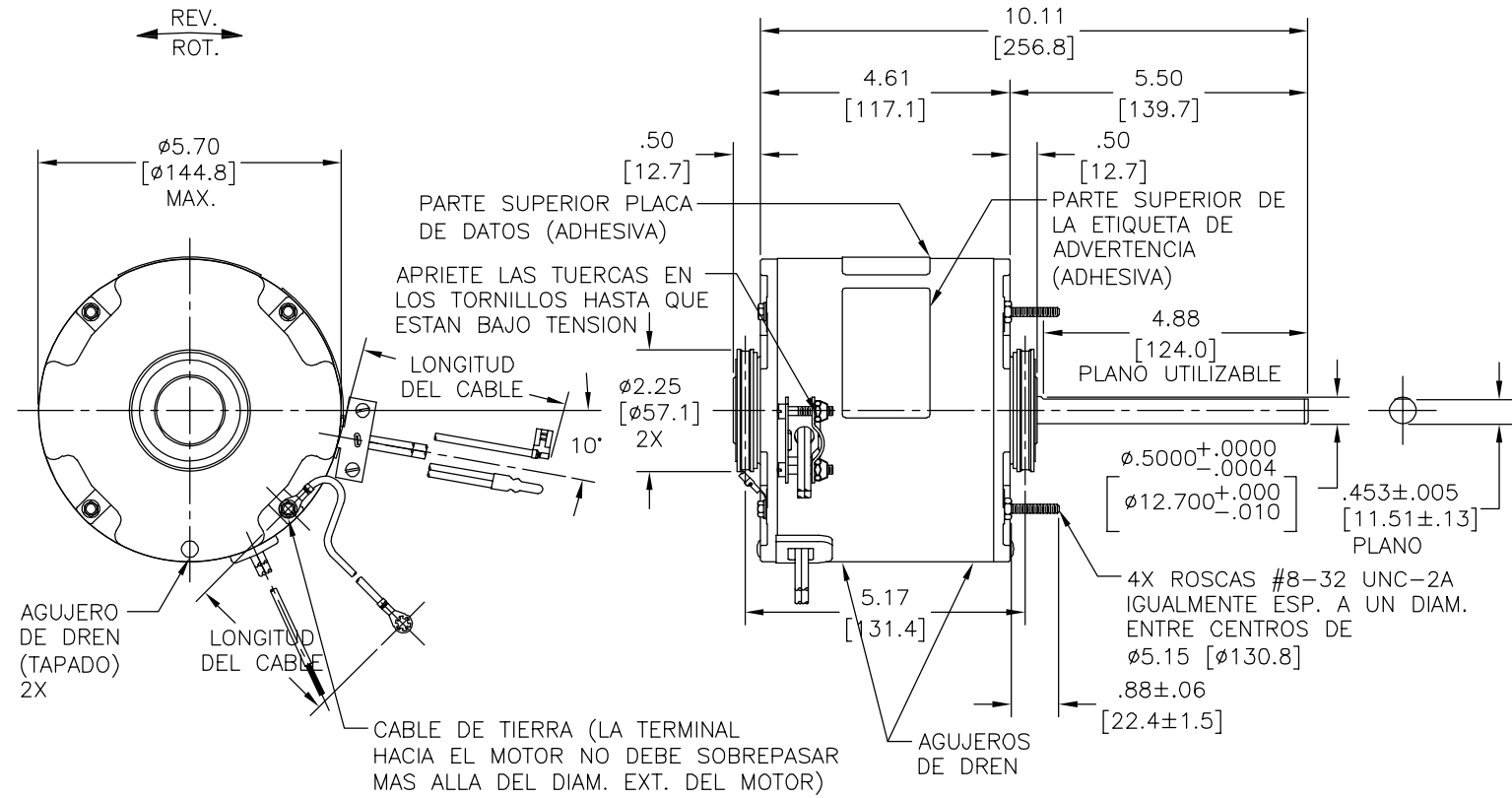
POSICION DEL MONTAJE: TODO EL ANGULO

**INFORMACION ELECTRICA:**

PROTECTOR DE SOBRECARGA: REINICIO AUTOMATIC (T.I. 7AM 036)

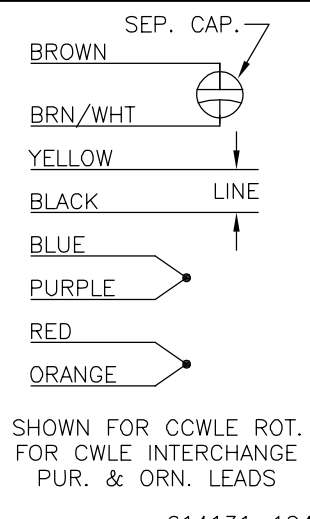
CABLES: NO. 18 GA., .06 [1.5] THK. PVC 105°C AISLAM.

CABLE DE TIERRA: NO. 18 GA., .03 [.8] THK. (VERDE/AMARILLO) AISLAM.



**INFORMACION DE ETIQUETA:      DIAGRAMA DE CONEXION EXTRNA**

MODEL NO.: F48V20A01  
 CUST. P/N: UHH1036  
 HP: 1/3  
 ROT.: REVERSIBLE  
 RPM: 1075  
 TYPE: UF  
 FRAME: 48Y  
 VOLTS: 208-230  
 PH: 1  
 AMPS: 2.2  
 HZ: 60/50  
 INS.: B  
 AMB.: 40° C  
 DUTY: AIR OVER  
 CAP.: 5 MFD/370 V  
 ENCL: ENCLOSED  
 UL LOGO  
 CSA LOGO  
 THERMALLY PROTECTED



614131-124

VERDE/AMARILLO (TIERRA)	12.0/14.0 [305/356]	OJAL #10
CAFE/BLANCO	48.0/52.0 [1219/1321]	.25 [6.4] BANDERA
CAFE	48.0/52.0 [1219/1321]	.25 [6.4] BANDERA
AZUL	48.0/52.0 [1219/1321]	.60 [15.2] DEL PIEL
PURPURA	48.0/52.0 [1219/1321]	.60 [15.2] DEL PIEL
ROJO	48.0/52.0 [1219/1321]	.60 [15.2] DEL PIEL
NARANJA	48.0/52.0 [1219/1321]	.60 [15.2] DEL PIEL
NEGRO	48.0/52.0 [1219/1321]	.60 [15.2] DEL PIEL
AMARILLO	48.0/52.0 [1219/1321]	.60 [15.2] DEL PIEL
COLOR	LONGITUD	TERMINAL O LONGITUD DE DESFORRE

**NOTAS:**

- (1) BASE DEL MONTAJE 368C81H1  
 (2) EMSAMBLE DE LA ABRAZADERA 620836-006  
 (1) CAPACITOR 628316-307  
 (1) TAPA CAPACITOR 260B913H01  
 (1) EMSAMBLE DE SOPORTE 616672  
 (4) ANILLOS PARTIDOS 615035  
 PARA SER SEPARADO ENVIADO EN CADA CARTON CON EL MOTOR.
- EL MOTOR QUE SE ENVIARA CONECTO PARA LA ROTACION DE CCWLE.

CARCASA - LOC	ENCERRADO
TAPA - LOC	ENCERRADO
CARCASA - LC	ENCERRADO
TAPA - LC	ENCERRADO

CLIENTE	DISTRIBUTION SERVICE
---------	----------------------

CURVAS DE FUNCIONAMIENTO	TORSION @ 1075 RPM (25°C)	MUESTRA APROBADA	COMPONENTE UL	CSA
C31952	33.3 OZ. FT.	0443592A	#ARCHIVO CCN #	#ARCHIVO CLASE #
			E46412 PRGY2	LR43341 4211-01

**CARACTERISTICAS DE GEOMETRIA Y SIMBOLOS**  
 □ PLANICIDAD  
 — RECTITUD  
 < ANGULARIDAD  
 ⊥ PERPENDICULARIDAD (A ESCUADRA)  
 // PARALELISMO  
 ○ REDONDEZ (CIRCULARIDAD)  
 ∅ CILINDRICIDAD  
 △ PERFIL DE CUALQUIER SUPERFICIE  
 ∇ PERFIL DE CUALQUIER LINEA  
 ^ VARIACION  
 ⊕ POSICION REAL  
 ⊙ CONCENTRICIDAD  
 = SIMETRIA  
 ASME Y14.5M 1994

REGAL-BELOIT CORPORATION (RBC) PROVEE ASISTENCIA TECNICA A NUESTROS CLIENTES EN VARIAS AREAS. DESDE QUE RBC NO RECIBE TODOS LOS DATOS EN RELACION AL USO Y A LA APLICACION DEL MOTOR, LA APLICACION ADECUADA DEL MOTOR DEBE SER DETERMINADA POR EL CLIENTE.  
 DIMENSIONES SIN TOLERANCIA SON DE REFERENCIA SOLAMENTE

DIBUJADO POR:  
 APROBADO POR: B.SHANK 08-25-2004  
 TERCER ANGULO DE PROYECCION  
 FECHA EDS: 11-11-2011  
 REV. FORMATO: G  
 CONFIDENCIAL: ESTE DIBUJO Y SU INFORMACION SON PROPIEDAD DE USO EXCLUSIVO Y CONFIDENCIAL DE REGAL-BELOIT CORPORATION. Y NO DEBERAN SER REVELADOS, DUPLICADOS, DISTRIBUIDOS O USARSE DE OTRA MANERA SIN EL CONSENTIMIENTO ESCRITO DE REGAL-BELOIT CORPORATION. -TODOS LOS DERECHOS RESERVADOS.

**REGAL-BELOIT CORPORATION**

DESCRIPCION: **MODEL-RFHP-48FR OUTLINE**

TAMAÑO: C      NUMERO DE DIBUJO: F48V20A01

ESCALA: NONE      HOJA: 1

4

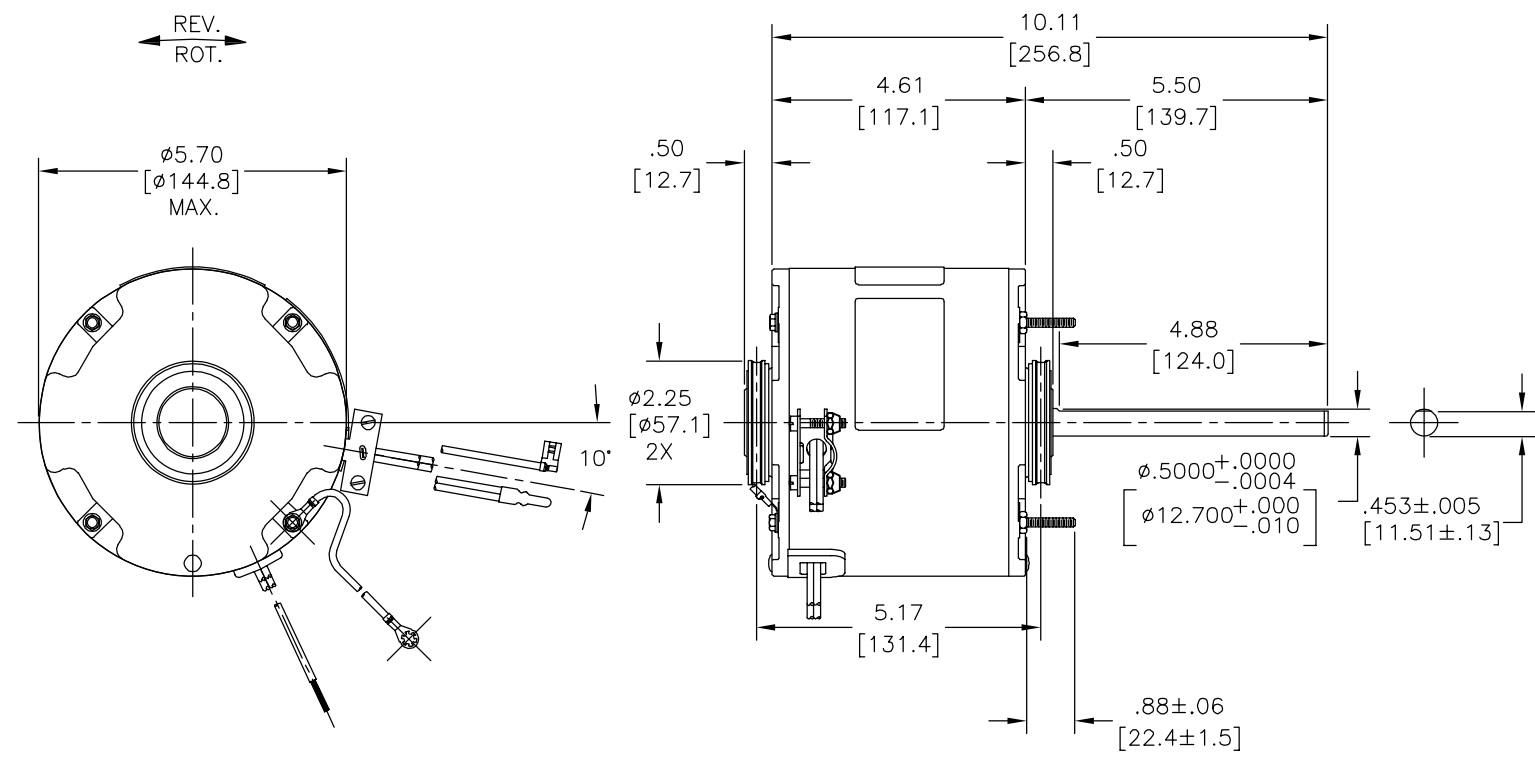
3

2

1

4 3 2 1

版本	ECO	编制	日期	批准	日期
D	0025583	A. ARREOLA	05-03-2012	D. BALDERRAMA	05-03-2012



MODEL NO.: F48V20A01  
 CUST. P/N: UHH1036  
 HP: 1/3  
 ROT.: REVERSIBLE  
 RPM: 1075  
 TYPE: UF  
 FRAME: 48Y  
 VOLTS: 208-230  
 PH: 1  
 AMPS: 2.2  
 HZ: 60/50  
 INS.: B  
 AMB.: 40° C  
 DUTY: AIR OVER  
 CAP.: 5 MFD/370 V  
 ENCL: ENCLOSED  
 UL LOGO  
 CSA LOGO  
 THERMALLY PROTECTED

SEP. CAP.  
 BROWN  
 BRN/WHT  
 YELLOW  
 BLACK  
 BLUE  
 PURPLE  
 RED  
 ORANGE

LINE

SHOWN FOR CCWLE ROT.  
 FOR CWLE INTERCHANGE  
 PUR. & ORN. LEADS

614131-124

	12.0/14.0	
	[305/356]	
	48.0/52.0	
	[1219/1321]	
	48.0/52.0	
	[1219/1321]	
	48.0/52.0	
	[1219/1321]	
	48.0/52.0	
	[1219/1321]	
	48.0/52.0	
	[1219/1321]	
	48.0/52.0	
	[1219/1321]	
	48.0/52.0	
	[1219/1321]	

C31952	33.3 OZ. FT.	0443592A	E46412	PRGY2	LR43341	4211-01
--------	--------------	----------	--------	-------	---------	---------

形位公差  
 □ 平面度  
 - 直线度  
 < 倾斜度  
 ⊥ 垂直度  
 // 平行度  
 ○ 圆度  
 ⊘ 圆柱度  
 △ 面轮廓度  
 ∠ 线轮廓度  
 ↗ 圆跳动  
 ⊕ 位置度  
 ⊙ 同轴度  
 ≡ 对称度

ASME Y14.5M 1994

REGAL-BELOIT CORPORATION (RBC) 在个别领域为客户提供技术支持。鉴于RBC未收到任何涉及电机使用和应用环境的数据，电机的适用性由客户自己决定。

未注公差尺寸仅供参考。

批准: B.SHANK 08-25-2004

名称: MODEL-RFHP-48FR OUTLINE

图幅: C 图号: F48V20A01

比例: NONE 页号: 1

REGAL-BELOIT CORPORATION

名称: MODEL-RFHP-48FR OUTLINE

图幅: C 图号: F48V20A01

比例: NONE 页号: 1

4 3 2 1

4

3

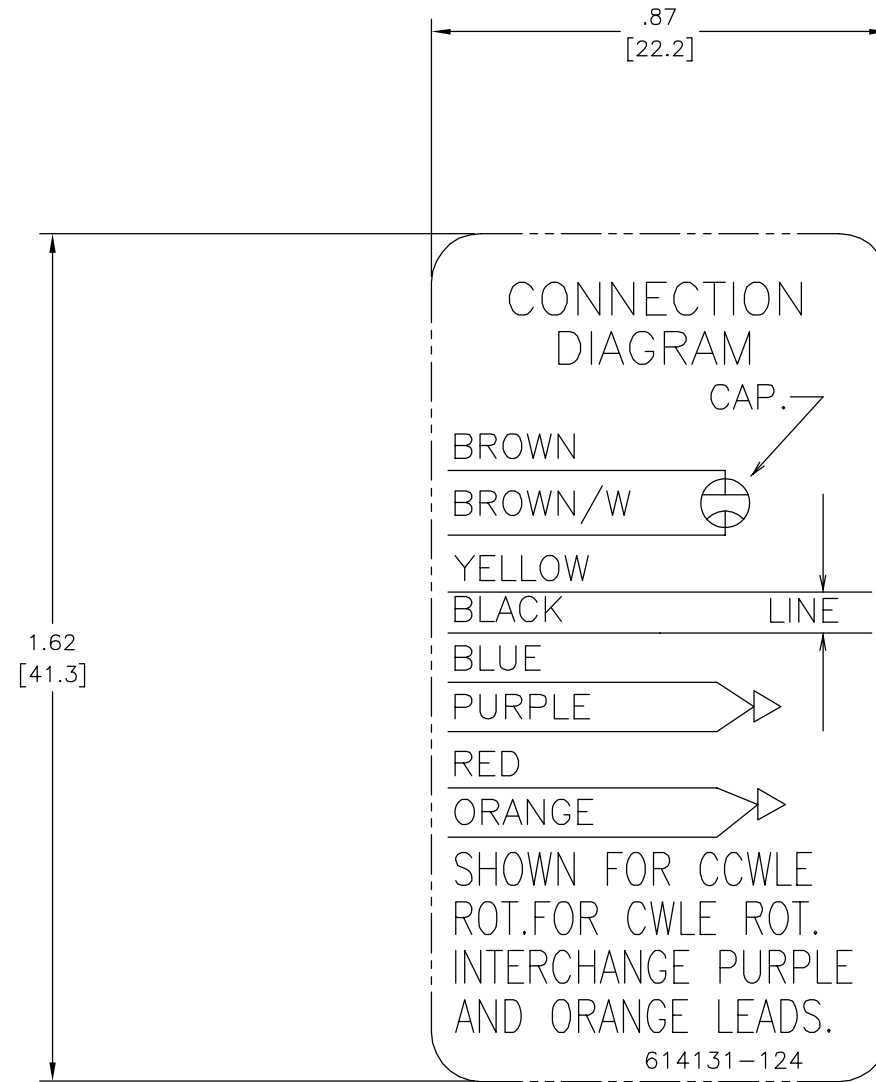
2

1

REV	ECO	REV BY	DATE	APPD	DATE
B	0006254	H. MARTINEZ	05-18-2009	J. ORTEGA	05-18-2009

D  
C  
B  
A

D  
C  
B  
A



GEOMETRIC CHARACTERISTICS & SYMBOLS

- ▭ FLATNESS
- STRAIGHTNESS
- ∠ ANGULARITY
- ⊥ PERPENDICULARITY (SQUARENESS)
- // PARALLELISM
- ROUNDNESS (CIRCULARITY)
- ⊘ CYLINDRICITY
- △ PROFILE OF ANY SURFACE
- ∩ PROFILE OF ANY LINE
- ↗ RUNOUT
- ⊕ TRUE POSITION
- ◎ CONCENTRICITY
- ≡ SYMMETRY

UNLESS OTHERWISE SPECIFIED  
DIM. TOLERANCES ARE AS FOLLOWS:

INCH X XX XXX XXXX  
mm ±0.1 ±0.02 ±0.005 ±0.0005  
mm ±0.5 ±0.13 ±0.013  
ANG. ±.50 DEG  
REMOVE BURRS & BREAK SHARP EDGES:  
INCH .003-.015 mm 0.1-0.4

CORNER FILLETS TO:  
INCH .020 mm 0.5

MACHINE SURFACES:  
INCH 125 mm 3.2

METRIC DIMS. SHOWN IN [BRACKETS]

DR BY: R.LEWIS	8-27-1985
APPD:	
THIRD ANGLE PROJECTION	EDS DATE 02-22-2008 FORMAT REV F
CONFIDENTIAL: THIS DRAWING AND ITS INFORMATION ARE THE EXCLUSIVE AND CONFIDENTIAL PROPERTY OF A.O. SMITH CORP. AND ARE NOT TO BE DISCLOSED, DUPLICATED, DISTRIBUTED OR OTHERWISE USED WITHOUT THE WRITTEN CONSENT OF A.O. SMITH CORP. -ALL RIGHTS RESERVED. ASME Y14.5M 1994	

	<b>ELECTRICAL PRODUCTS COMPANY</b> A DIVISION OF A. O. SMITH CORPORATION
DESCRIPTION CONN DIAGRAM-EXTERNAL	
SIZE C	DWG NO 614131-124
SCALE NONE	SHEET 1

4

3

2

1

4

3

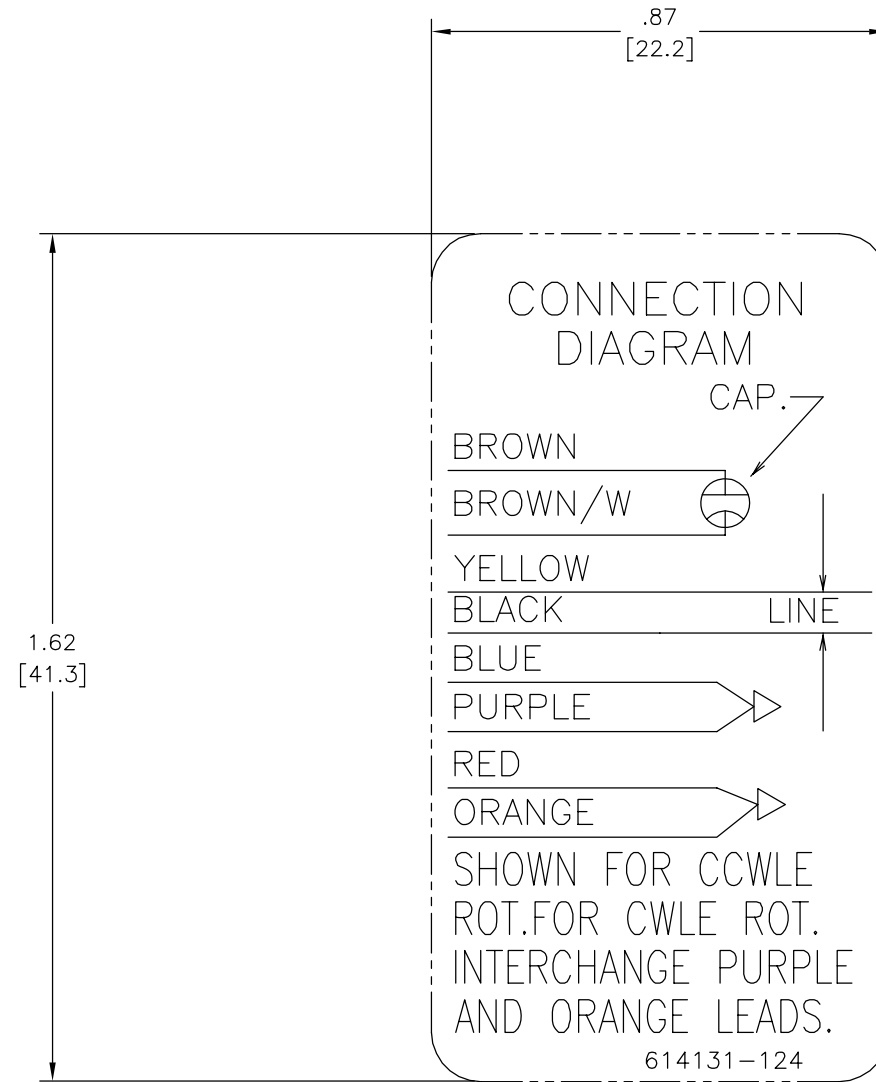
2

1

REVISION:	ECO	REVISADO POR:	FECHA:	APROBADO POR:	FECHA:
B	0006254	H. MARTINEZ	05-18-2009	J. ORTEGA	05-18-2009

D  
C  
B  
A

D  
C  
B  
A



CARACTERISTICAS DE GEOMETRIA Y SIMBOLOS

- PLANICIDAD
- RECTITUD
- ∠ ANGULARIDAD
- ⊥ PERPENDICULARIDAD (A ESCUADRA)
- // PARALELISMO
- REDONDEZ (CIRCULARIDAD)
- ∅ CILINDRICIDAD
- △ PERFIL DE CUALQUIER SUPERFICIE
- ∩ PERFIL DE CUALQUIER LINEA
- ↑ VARIACION
- ⊕ POSICION REAL
- ◎ CONCENTRICIDAD
- ≡ SIMETRIA

A MENOS QUE SE ESPECIFIQUE DE OTRA MANERA, LAS TOLERANCIAS DE LAS DIMS; SON LAS SIGUIENTES:

PULG ±.1 ±.02 ±.005 ±.0005  
 mm ±0.5 ±0.13 ±0.013

ANG. ±.50 GRADOS

ELIMINAR REBABAS Y ORILLAS FILOSAS DEL BORDE.

PULG .003-.015 mm 0.1-0.4

FILETEAR ESQUINA: PULG .020 mm 0.5

MAQUINAR SUPERFICIES

PULG 125 mm 3.2

DIMS METRICAS MOSTRADAS [PARENTESIS]

DIBUJADO POR: R.LEWIS	8-27-1985
APROBADO POR:	
TERCER ANGULO DE PROYECCION	FECHA EDS: 02-22-2008 REV. FORMATO: F
CONFIDENCIAL: ESTE DIBUJO Y SU INFORMACION SON PROPIEDAD DE USO EXCLUSIVO Y CONFIDENCIAL DE A.O.SMITH CORP. Y NO DEBERAN SER REVELADOS, DUPLICADOS, DISTRIBUIDOS O USARSE DE OTRA MANERA SIN EL CONSENTIMIENTO ESCRITO DE A.O. SMITH CORP. -TODOS LOS DERECHOS RESERVADOS.ASME Y14.5M 1994	

<b>ACSmith</b> Innovation has a name.		<b>ELECTRICAL PRODUCTS COMPANY</b> A DIVISION OF A. O. SMITH CORPORATION	
DESCRIPCION:			
TAMAÑO: C	NUMERO DE DIBUJO: 614131-124		
ESCALA:NONE			HOJA: 1

4

3

2

1

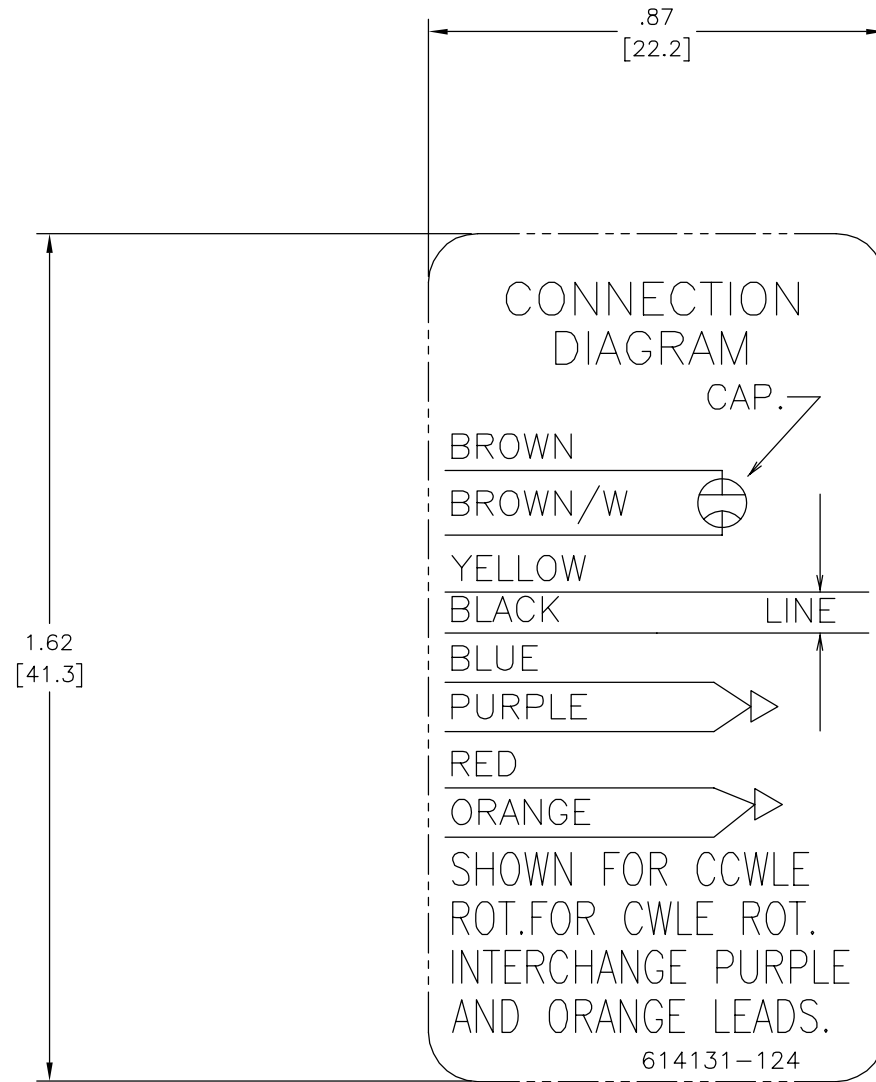
4

3

2

1

版本	ECO	编制	日期	批准	日期
B	0006254	H. MARTINEZ	05-18-2009	J. ORTEGA	05-18-2009



形位公差
□ 平面度
— 直线度
∠ 倾斜度
⊥ 垂直度
// 平行度
○ 圆度
⊘ 圆柱度
△ 面轮廓度
∩ 线轮廓度
↗ 圆跳动
⊕ 位置度
⊙ 同轴度
≡ 对称度

除另有注明 尺寸公差如下:
英寸 X ±.1 XX ±.02 XXX ±.005 XXXX ±.0005
毫米 ±0.5 ±0.13 ±0.013
角度 ±.50 度
清理毛刺和尖棱
英寸 .003-.015 毫米 0.1-0.4
内圆角
英寸 .020 毫米 0.5
表面粗糙度
英制 125 米制 3.2
米制尺寸显示在 [ ]

绘图:	R.LEWIS	8-27-1985
批准:		
第三角投影		图纸格式发布日期 02-22-2008 图纸格式版本 F
机密: 本图纸及相关信息所有权归A. O. SMITH公司所有。未经A. O. SMITH公司书面授权, 不得泄露、复制、传播或作其他用途。—版权所有		
ASME Y14.5M 1994		

		<b>ELECTRICAL PRODUCTS COMPANY</b> A DIVISION OF A. O. SMITH CORPORATION	
名称			
图幅	C	图号	614131-124
比例	NONE	页号	1

4

3

2

1