

PRODUCT INFORMATION PACKET



Model No: USN1102

Catalog No: USN1102

Pool Pump Motor, 1.0 HP, 1 Ph, 60 Hz, 208-230/115 V, 3600 RPM, U56J Frame, DP



Regal and Century are trademarks of Regal Rexnord Corporation or one of its affiliated companies.
©2022 Regal Rexnord Corporation, All Rights Reserved. MC017097E





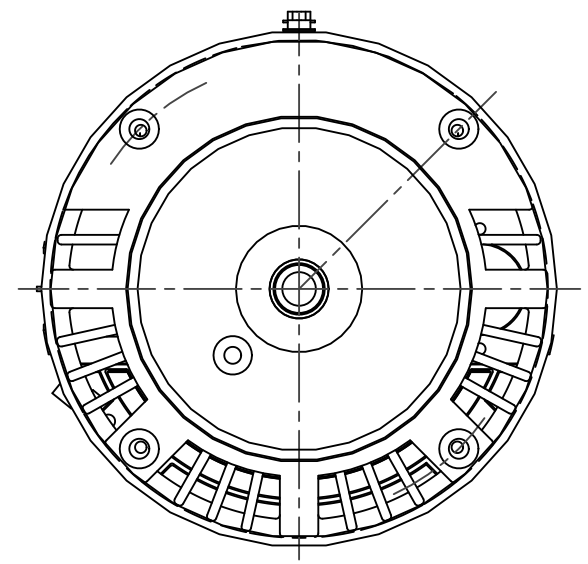
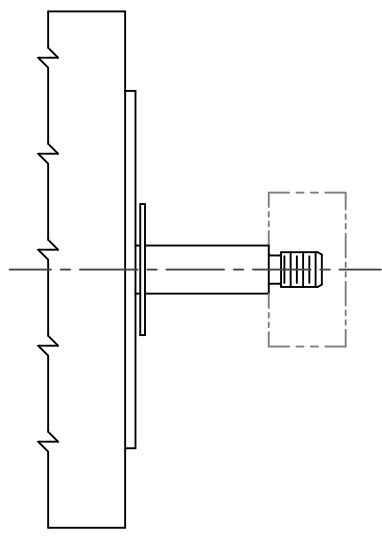
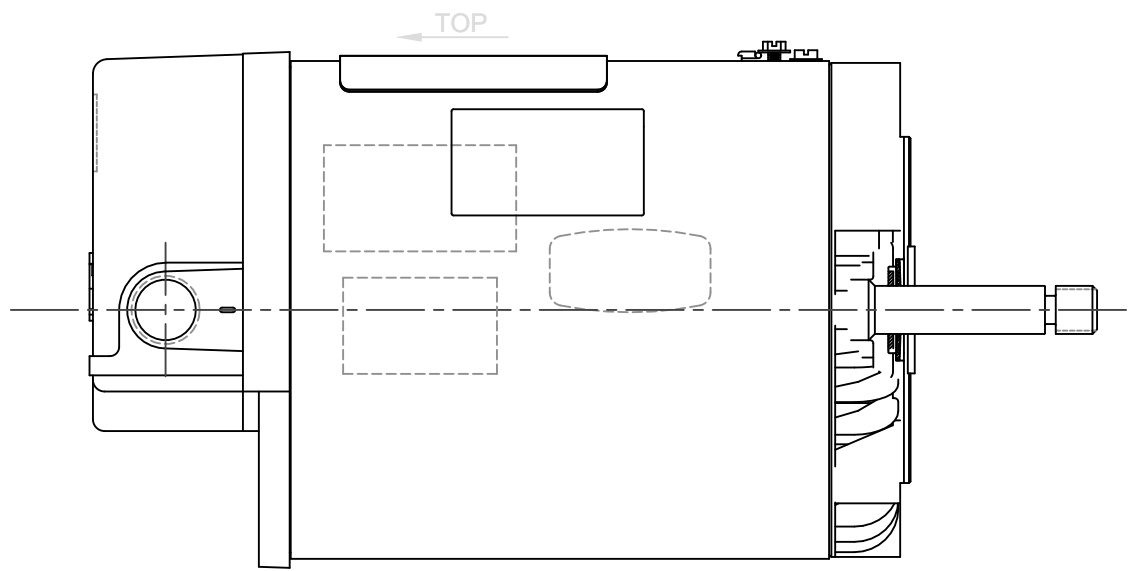
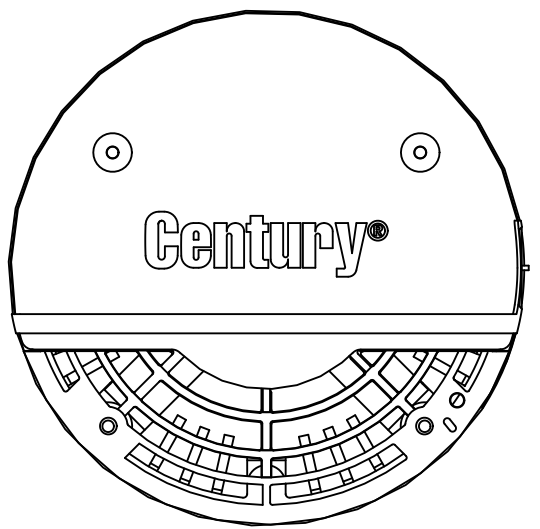
Nameplate Specifications

Output HP	1.0 Hp	Output KW	0.75 kW
Frequency	60 Hz	Voltage	208-230/115 V
Current	SF 6.0-5.5/11.0 A	Speed	3450 rpm
Service Factor	1.4	Phase	1
Duty	Continuous	Insulation Class	B
Frame	U56J	Enclosure	Drip Proof
Thermal Protection	Thermally Protected	Ambient Temperature	50 °C
UL	Recognized	CSA	Y
Number of Speeds	1		

Technical Specifications

Electrical Type	Permanent Split Capacitor, Single Or Dual Voltage	Poles	2
Rotation	Counterclockwise Pump End	Mounting	Round
Motor Orientation	Horizontal	Drive End Bearing	Ball Brg
Opp Drive End Bearing	Ball	Frame Material	Rolled Steel
Shaft Type	7/16 Threaded	Overall Length	13.10 in
Frame Length	7.00 in	Shaft Diameter	0.625 in
Shaft Extension	2.56 in		
Outline Drawing	USN1102-S01	Connection Drawing	17536715.PCX

This is an uncontrolled document once printed or downloaded and is subject to change without notice. Date Created:11/28/2022

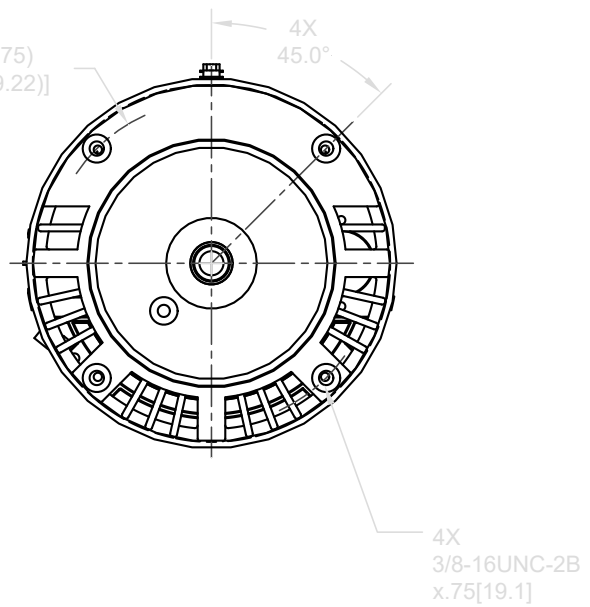
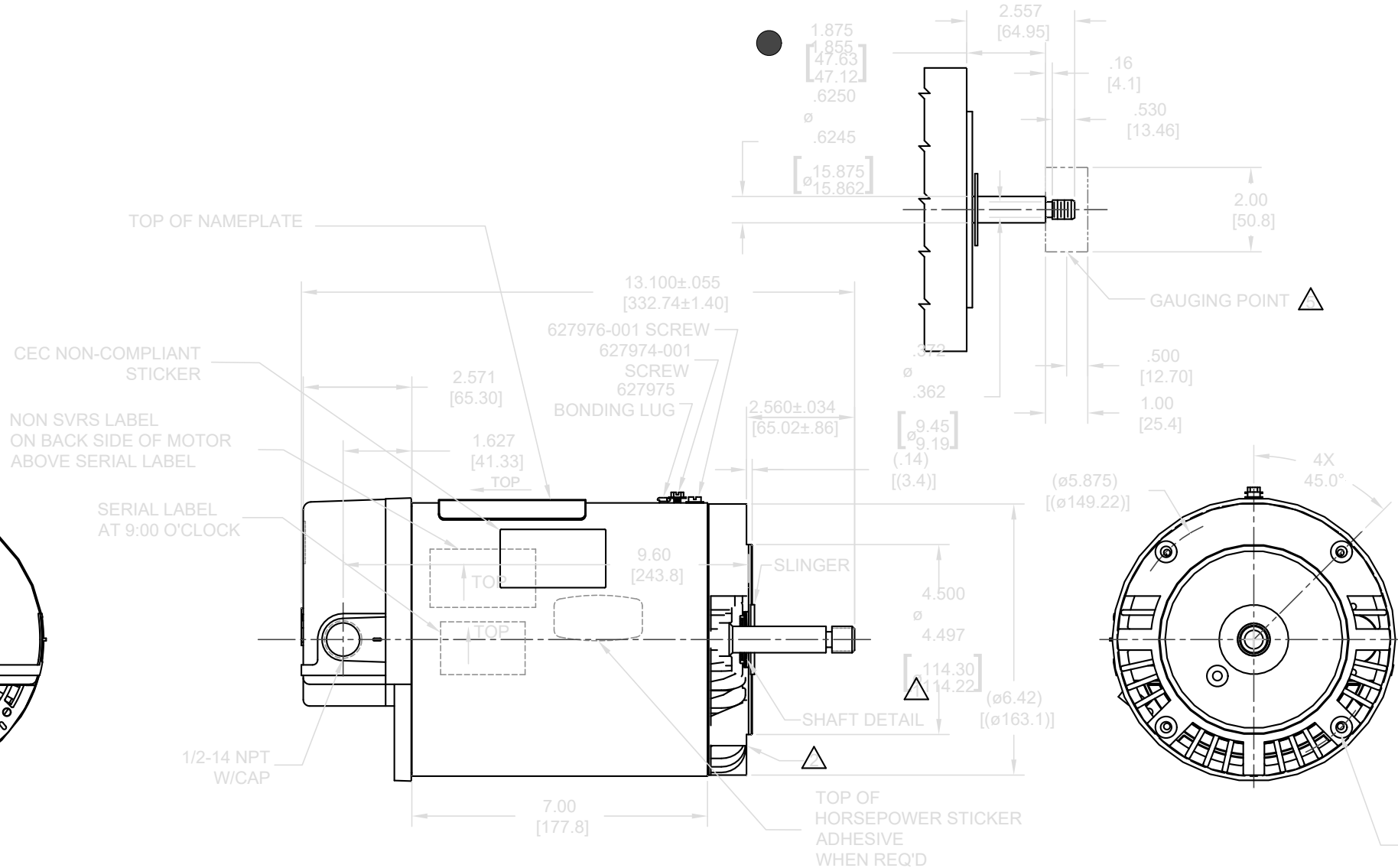
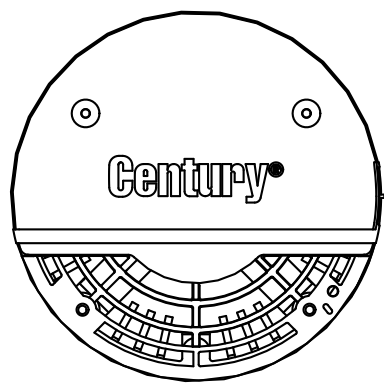


4

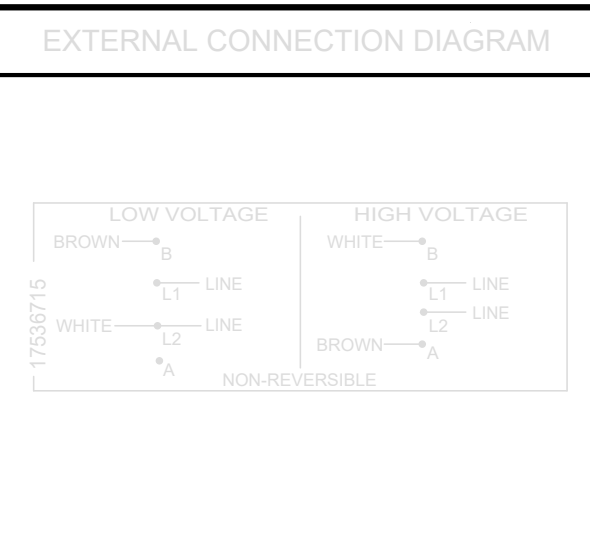
3

2

1



NAMEPLATE DATA	
MODEL: MODEL	CUST PN: CUST-PN:
HP: HP	SF: SF
ROT: ROT	
RPM: RPM	
TYPE: TYPE	CODE: CODE
FORM: FORM	FRAME: FRAME
VOLTS: VOLTS	
AMPS: AMPS	
MAX AMPS: MAX-AMPS	
SF AMPS: SF-AMPS	
PH: PH	HZ: HZ
INS: INS	AMB: AMB
DUTY: DUTY	
ENCLOSURE: ENCLOSURE	
THERMALLY-PROTECTED	



- NOTES
- △ PILOT DIAMETER IS CONCENTRIC WITH SHAFT CENTERLINE WITHIN .004[.10] T.I.R.
 - △ FACE OF MOUNTING FLANGE IS PERPENDICULAR TO SHAFT CENTERLINE WITHIN .004[.10] T.I.R.
 3. SHAFT RUNOUT NOT TO EXCEED .002[.05] T.I.R.
 4. FOR THREADED SHAFT EXT. MATING, PARTS SHOULD BE RELIEVED ONE THREAD TO CLEAR FILLET.
 5. FOR THREADED SHAFT EXT. ECCENTRICITY OF THREADED PORTION OF SHAFT IS HELD WITHIN .004[.10] TOTAL GAUGE READING WITH THE INDICATOR ON O.D. OF GROUND RING GAGE AS SHOWN. THE GAGE BEING STATIONARY WITH RESPECT TO THE ROTOR.
 6. END PLAY NOT TO EXCEED .010[.25] MEASURED WITH NO THRUST.
 - △ FRONT END FRAME TO BE ALIGNED WITH BACK END FRAME TO WITHIN ±1° RADIAL ALIGNMENT ±.060[±1.52]
 - △ CRITICAL DIMENSION

PERFORMANCE CURVE	APPROVED SAMPLE		
PERFORMANCE-CURVE	APPROVED-SAMPLE		
UL COMPONENT	CSA		
FILE#	CCN#	FILE#	GUIDE#
FILE#	CCN#	FILE#	GUIDE#
CUSTOMER	CUSTOMER		

DRAWING REVISION D	REVISION BY SHRESHI	DATE 12/29/2020	TOLERANCES UNLESS OTHERWISE SPECIFIED DEC. INCH mm ANGLE XX ±0.1 [±2.5] ±0.5° XXX ±0.005 [±0.127] XXXX ±0.0005 [±0.0127]	DRAWN BY TH	REGAL™ Regal Beloit America, Inc.
ECR-0203536	APPROVED BY D.SURYAWANSHI	DATE 12/29/2020	DATE 12-27-2010	DATE 12-27-2010	
ECO DESCRIPTION SEE ECR			REMOVE BURRS & BREAK SHARP EDGES .003/.015 [078/381] CORNER FILLETS .02 [51] MACHINED SURFACES INCH mm SHOWN IN [BRACKETS]	APPROVED BY TZ	DESCRIPTION MODEL-PFHP-56FR OUTLINE
COPYRIGHT REGAL BELOIT AMERICA, INC. ALL RIGHTS RESERVED. PROPRIETARY AND CONFIDENTIAL INFORMATION - THIS DOCUMENT IS THE PROPERTY OF REGAL BELOIT AMERICA, INC. IT IS TO BE USED ONLY FOR THE PURPOSES SPECIFIED BY THE DRAWING. IT IS NOT TO BE REPRODUCED, COPIED, OR TRANSMITTED IN ANY FORM OR BY ANY MEANS, ELECTRONIC OR MECHANICAL, INCLUDING PHOTOCOPYING, RECORDING, OR BY ANY INFORMATION STORAGE AND RETRIEVAL SYSTEM, WITHOUT THE EXPRESS WRITTEN PERMISSION OF REGAL BELOIT AMERICA, INC. THIS DOCUMENT SHALL BE RETURNED TO OWNER UPON REQUEST. IT MAY BE SUBJECT TO CERTAIN RESTRICTIONS UNDER APPLICABLE EXPORT CONTROL LAWS AND REGULATIONS.			REFERENCE	MATERIAL	PROCESS/FINISH
			THIRD ANGLE PROJECTION	SIZE DWG NO C USN1102	SHEET 1

4

3

2

1