

# PRODUCT INFORMATION PACKET



Model No: USN1152

Catalog No: USN1152

Pool Pump Motor, 1.5 HP, 1 Ph, 60 Hz, 208-230/115 V, 3600 RPM, N56J Frame, DP



Regal and Century are trademarks of Regal Rexnord Corporation or one of its affiliated companies.

©2024 Regal Rexnord Corporation, All Rights Reserved. MC017097E





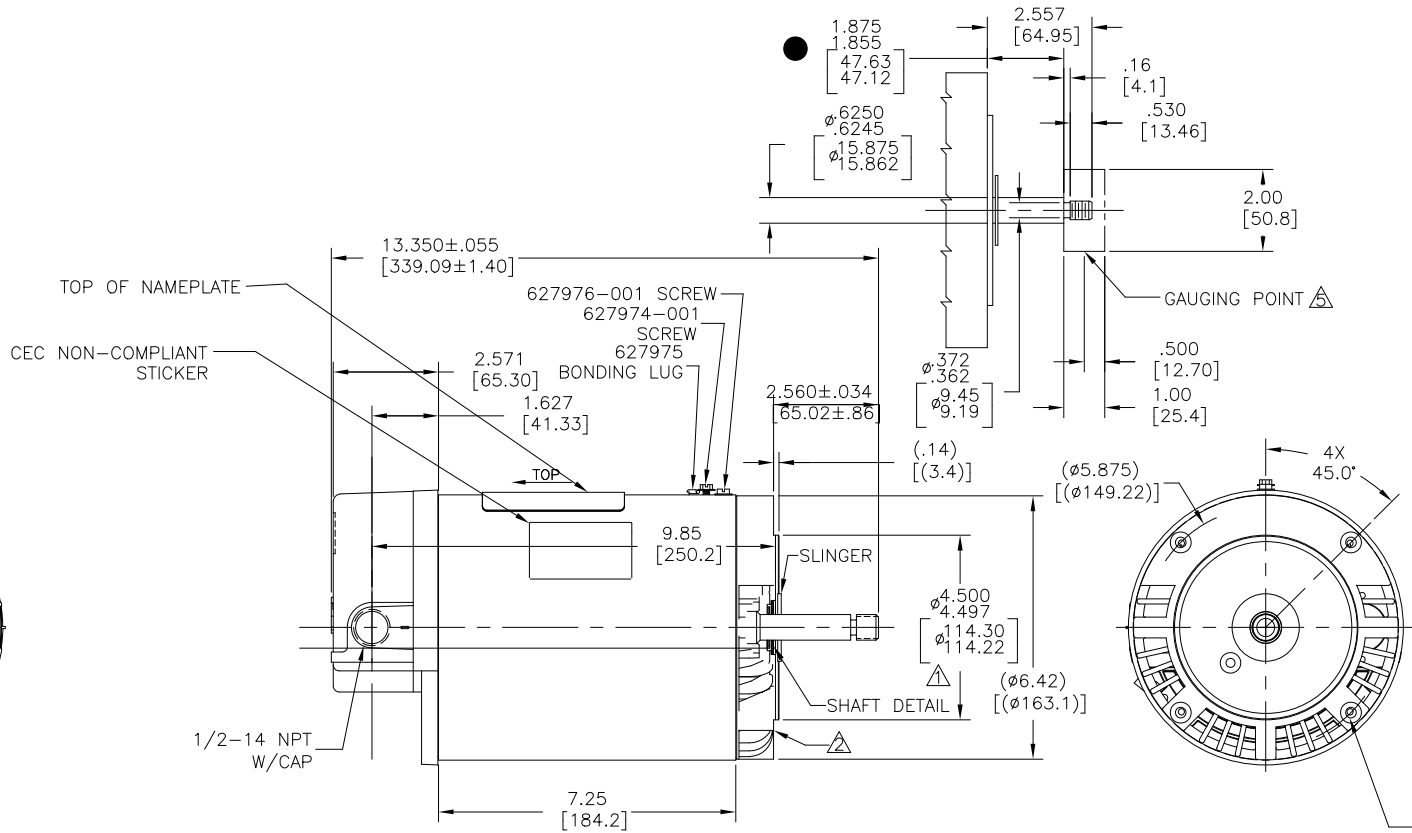
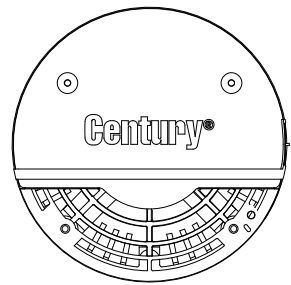
**Nameplate Specifications**

Phase	1	Output HP	1.5 Hp
Output KW	1.1 kW	Voltage	208-230/115 V
Speed	3450 rpm	Service Factor	1.25
Frame	N56J	Enclosure	Drip Proof
Thermal Protection	Thermally Protected	Ambient Temperature	50 °C
Frequency	60 Hz	Current	SF 8.5-7.8/15.6 A
Duty	Continuous	Insulation Class	B
UL	Recognized	CSA	Y
Number of Speeds	1		

**Technical Specifications**

Electrical Type	Permanent Split Capacitor, Single Or Dual Voltage	Poles	2
Rotation	Counterclockwise Pump End	Mounting	Round
Motor Orientation	Horizontal	Drive End Bearing	Ball Brg
Opp Drive End Bearing	Ball	Frame Material	Rolled Steel
Shaft Type	7/16 Threaded	Overall Length	13.35 in
Frame Length	7.25 in	Shaft Diameter	0.625 in
Shaft Extension	2.56 in		
Outline Drawing	USN1152-S01	Connection Drawing	17536715.PCX

This is an uncontrolled document once printed or downloaded and is subject to change without notice. Date Created:05/28/2024



NAMEPLATE DATA	EXTERNAL CONNECTION DIAGRAM	NOTES
MODEL: 1936850J CUST PN: USN1152 HP: 1.5 SF: 1.25 ROT: CCWPE RPM: 3450 TYPE: CX CODE: G FORM: FRAME: N 56 J VOLTS: 208-230/115 AMPS: MAX AMPS: SF AMPS: 8.5-7.8/15.6 PH: 1 HZ: 60 INS: B AMB: 50° DUTY: CONT ENCLOSURE: ODP THERMALLY PROTECTED		<ul style="list-style-type: none"> <li>● ▲ PILOT DIAMETER IS CONCENTRIC WITH SHAFT CENTERLINE WITHIN .004[.10] T.I.R.</li> <li>● ▲ FACE OF MOUNTING FLANGE IS PERPENDICULAR TO SHAFT CENTERLINE WITHIN .004[.10] T.I.R.</li> <li>3. SHAFT RUNOUT NOT TO EXCEED .002[.05] T.I.R.</li> <li>4. FOR THREADED SHAFT EXT. MATING, PARTS SHOULD BE RELIEVED ONE THREAD TO CLEAR FILLET.</li> <li>5. FOR THREADED SHAFT EXT. ECCENTRICITY OF THREADED PORTION OF SHAFT IS HELD WITHIN .004[.10] TOTAL GAUGE READING WITH THE INDICATOR ON O.D. OF GROUND RING GAGE AS SHOWN. THE GAGE BEING STATIONARY WITH RESPECT TO THE ROTOR.</li> <li>6. END PLAY NOT TO EXCEED .010[.25] MEASURED WITH NO THRUST.</li> <li>● ▲ FRONT END FRAME TO BE ALIGNED WITH BACK END FRAME TO WITHIN ±1° RADIAL ALIGNMENT ±.060[±1.52]</li> <li>8. ● = CRITICAL DIMENSION</li> </ul>

PERFORMANCE CURVE	APPROVED SAMPLE		
19222711			
UL COMPONENT	CSA		
FILE#	CCN#	FILE#	GUIDE#
PENDING	PENDING	PENDING	PENDING
CUSTOMER	DISTRIBUTION		

DRAWING REVISION	REVISION BY	DATE	TOLERANCES UNLESS OTHERWISE SPECIFIED	DRAWN BY:	Regal Beloit America, Inc.
ECO	S JIMENEZ	5-22-2024	DEC. INCH mm ANGLE	TH	
ECR-0234251	S JIMENEZ	5-22-2024	.X ±0.1 [±2.5] ±0.5°	DATE:	10-27-2010
ECO DESCRIPTION			.XX ±0.02 [±0.51]	APPROVED BY:	
SEE ECR			.XXX ±0.005 [±0.127]	TZ	
			XXXX ±0.0005 [±0.0127]	DATE:	10-27-2010
			REMOVE BURRS & BREAK SHARP EDGES .003/.015 [0.076/.381] X 45°	REFERENCE	
			CORNER FILLETS R.02 [5.1]	MATERIAL	
			MACHINED SURFACES .125/ mm 3/2	PROCESS/FINISH	
			mm SHOWN IN [BRACKETS]	SIZE DWG NO	USN1152
				THIRD ANGLE PROJECTION	SHEET 1