

PRODUCT INFORMATION PACKET



Model No: USN1302

Catalog No: USN1302

Pool Pump Motor, 3.0 HP, 1 Ph, 60 Hz, 208-230 V, 3600 RPM, R56J Frame, DP



Regal and Century are trademarks of Regal Rexnord Corporation or one of its affiliated companies.
©2022 Regal Rexnord Corporation, All Rights Reserved. MC017097E





Nameplate Specifications

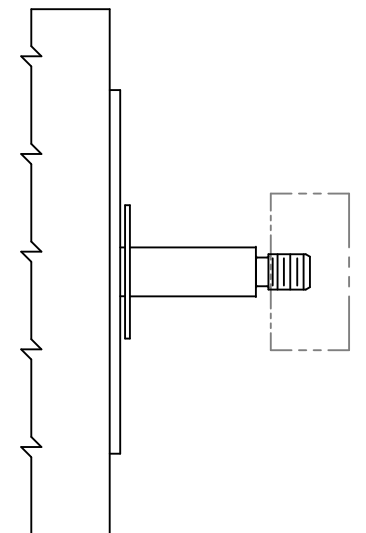
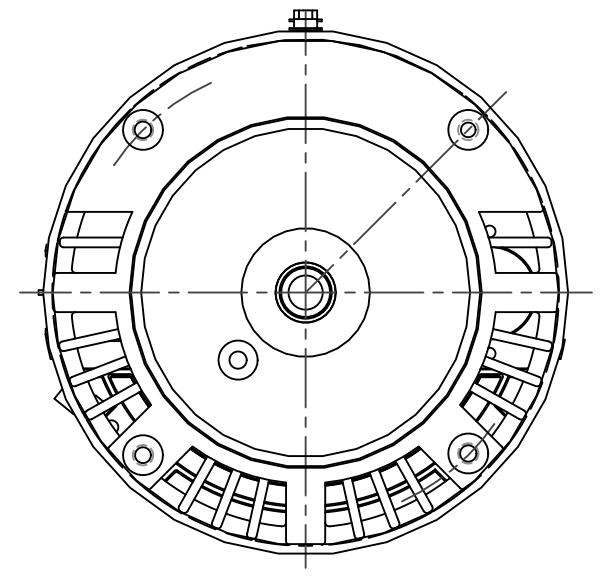
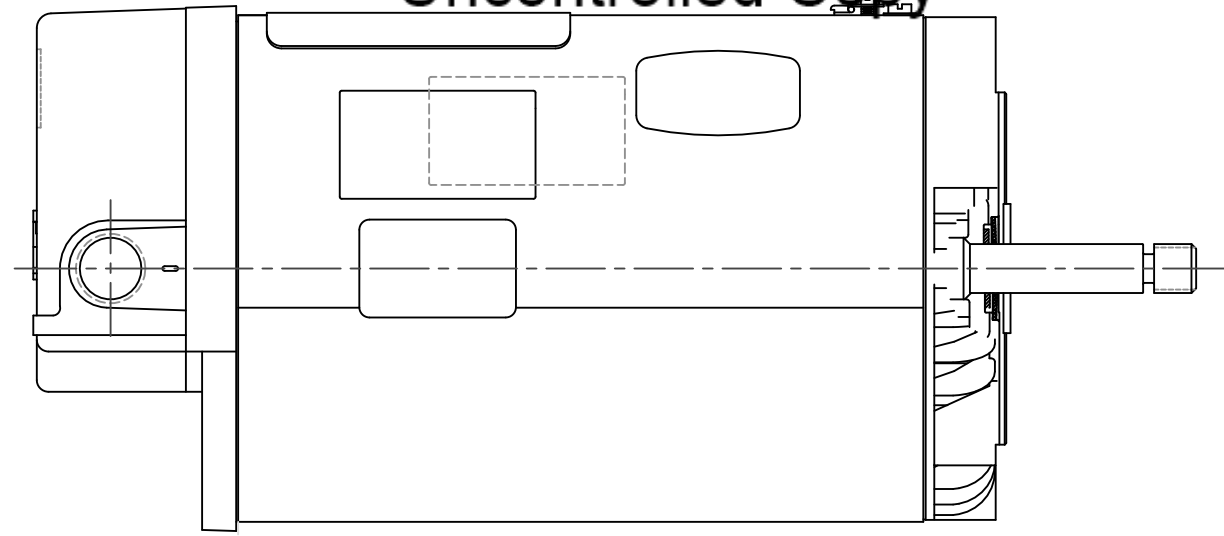
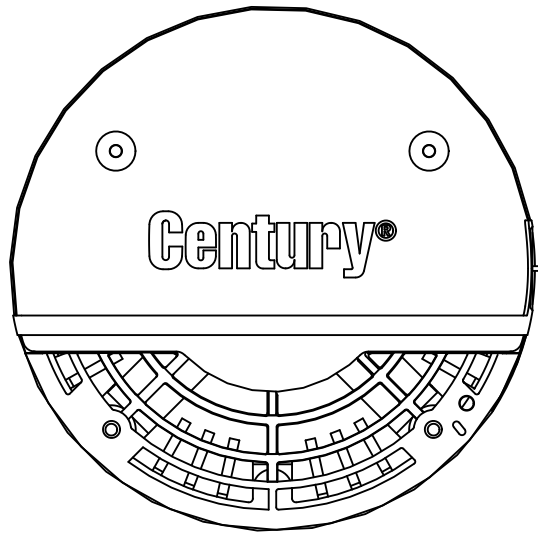
Output HP	3.0 Hp	Output KW	2.2 kW
Frequency	60 Hz	Voltage	208-230 V
Current	SF 16.0-14.8 A	Speed	3450 rpm
Service Factor	1.2	Phase	1
Duty	Continuous	Insulation Class	B
Frame	R56J	Enclosure	Drip Proof
Thermal Protection	Thermally Protected	Ambient Temperature	50 °C
UL	Recognized	CSA	Y
Number of Speeds	1		

Technical Specifications

Electrical Type	Permanent Split Capacitor, Single Or Dual Voltage	Poles	2
Rotation	Counterclockwise Pump End	Mounting	Round
Motor Orientation	Horizontal	Drive End Bearing	Ball Brg
Opp Drive End Bearing	Ball	Frame Material	Rolled Steel
Shaft Type	7/16 Threaded	Overall Length	14.85 in
Frame Length	8.75 in	Shaft Diameter	0.625 in
Shaft Extension	2.557 in		
Connection Drawing	17050319.PCX	Outline Drawing	USN1302-S01

This is an uncontrolled document once printed or downloaded and is subject to change without notice. Date Created:11/28/2022

Uncontrolled Copy



4

3

2

1

D

D

C

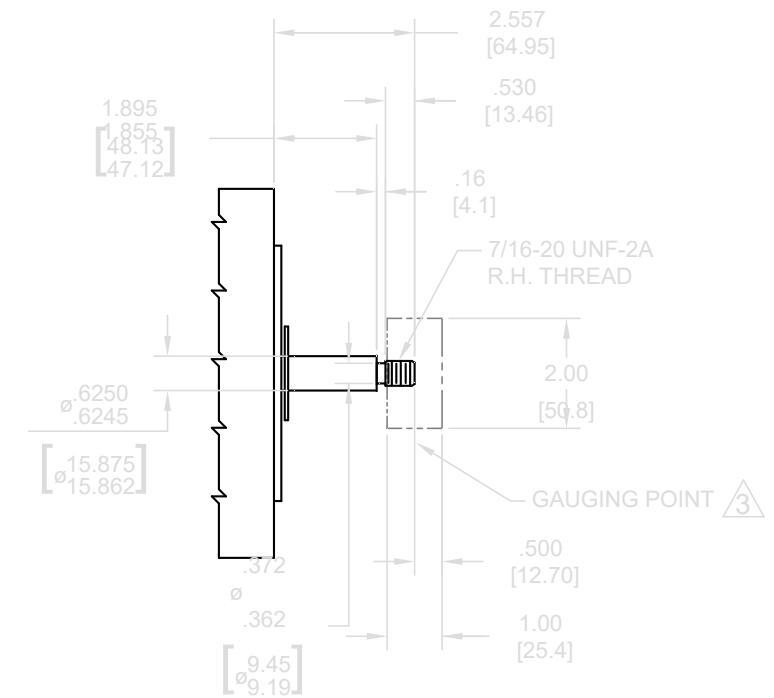
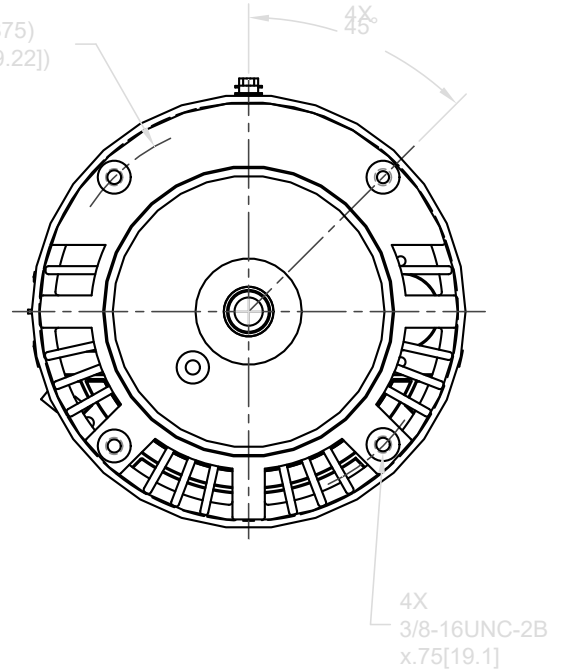
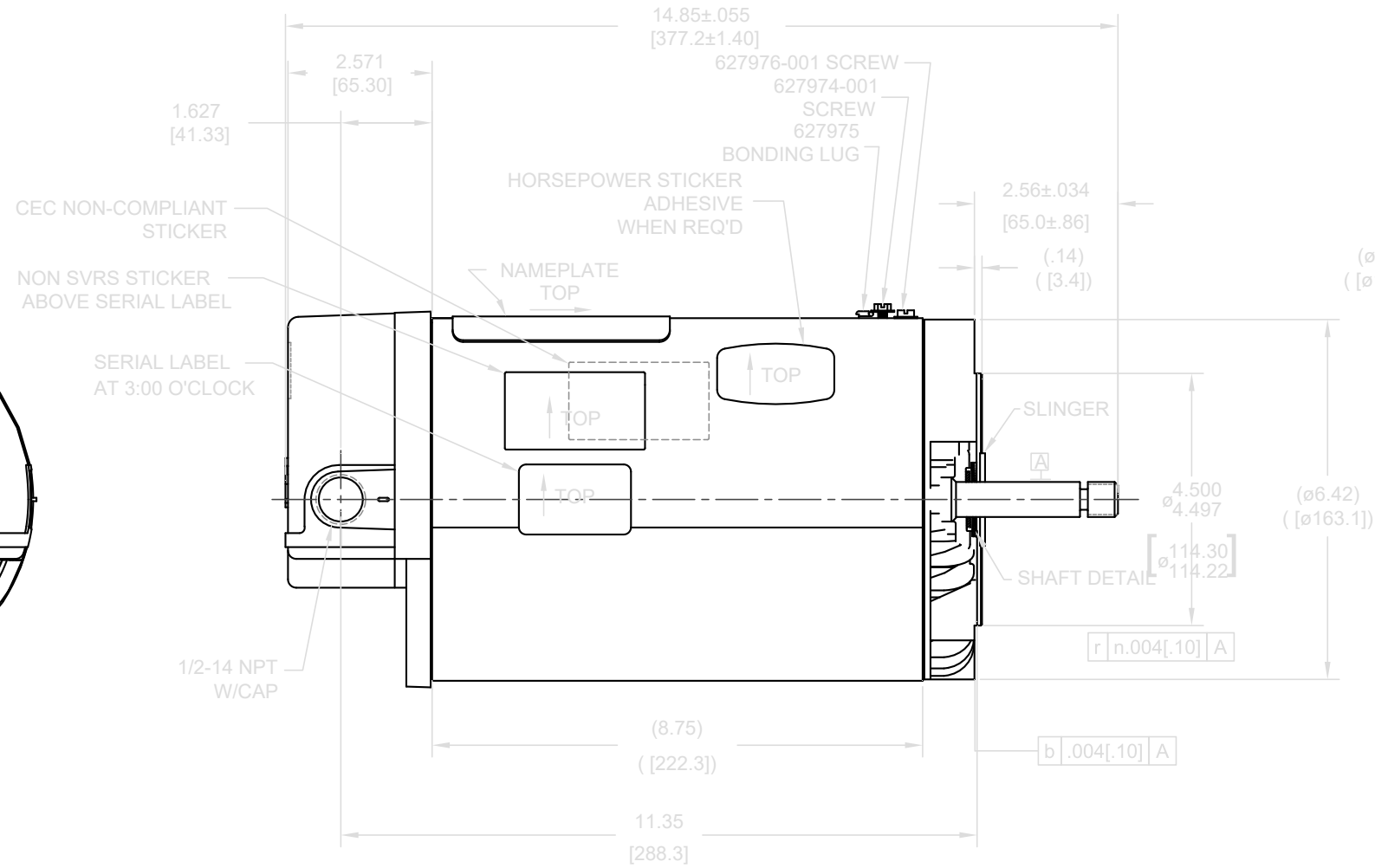
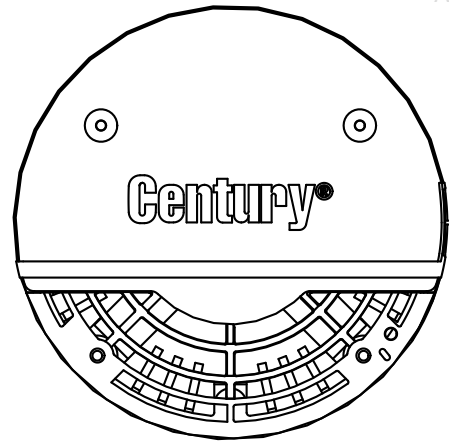
C

B

B

A

A



NAMEPLATE DATA	EXTERNAL CONNECTION DIAGRAM	NOTES
MODEL: 193690 CUST PN: USN1302 HP: 3.0 SF: 1.2 ROT: CW RPM: 3450 TYPE: CX CODE: G FORM: KJM FRAME: R56J VOLTS: 208-230 AMPS: SF 16.0-14.8 MAX AMPS: SF AMPS: - PH: 1 HZ: 60 INS: B AMB: 50 DUTY: CONT ENCLOSURE: ODP THERMALLY PROTECTED		NOTES: 1. SHAFT RUNOUT NOT TO EXCEED .002[.05] T.I.R. 2. FOR THREADED SHAFT EXT. MATING, PARTS SHOULD BE RELIEVED ONE THREAD TO CLEAR FILLET. 3. FOR THREADED SHAFT EXT. ECCENTRICITY OF THREADED PORTION OF SHAFT IS HELD WITHIN .004[.10] TOTAL GAUGE READING WITH THE INDICATOR ON O.D. OF GROUND RING GAGE AS SHOWN. THE GAGE BEING STATIONARY WITH RESPECT TO THE ROTOR. 4. END PLAY NOT TO EXCEED .010[.25] MEASURED WITH NO THRUST. 5. FRONT END FRAME TO BE ALIGNED WITH BACK END FRAME TO WITHIN ±1° RADIAL ALIGNMENT ±.060[±1.52]

PERFORMANCE CURVE	APPROVED SAMPLE		
19245911			
UL COMPONENT	CSA		
FILE#	CCN#	FILE#	GUIDE#
PENDING	PENDING	PENDING	PENDING
CUSTOMER			

DRAWING REVISION	REVISION BY	DATE	TOLERANCES UNLESS OTHERWISE SPECIFIED	DRAWN BY:	REGAL™ Regal Beloit America, Inc.
D	SHESH	12/29/2020	DEC. INCH mm ANGLE	FX	
ECR-0203536	APPROVED BY D.SURYAWANSHI	12/29/2020	XX ±0.1 [±2.5] ±0.5°	DATE: 08-25-2010	
ECO DESCRIPTION SEE ECR			XXX ±0.005 [±0.127]	APPROVED BY: KG	DESCRIPTION MODEL-PFHP-56FR
			XXXX ±0.0005 [±0.0127]	DATE: 08-28-2010	OUTLINE
			REMOVE BURRS & BREAK SHARP EDGES .003/.015 [0.076/.381] X 45°	REFERENCE	MATERIAL
			CORNER FILLETS R.02 [5.1]	THIRD ANGLE PROJECTION	PROCESS/FINISH
			MACHINED SURFACES	SIZE DWG NO	
			INCH mm	C	USN1302
			mm SHOWN IN [BRACKETS]		SHEET 1