

PRODUCT INFORMATION PACKET



Model No: USTG1152A

Catalog No: USTG1152A

Guardian® Motors Pool Pump Motor, 1 1/2 HP, 1 Ph, 60 Hz, 230/115 V, 3600 RPM, 56J Frame, ODP



Regal and Century are trademarks of Regal Rexnord Corporation or one of its affiliated companies.

©2026 Regal Rexnord Corporation, All Rights Reserved. MC017097E





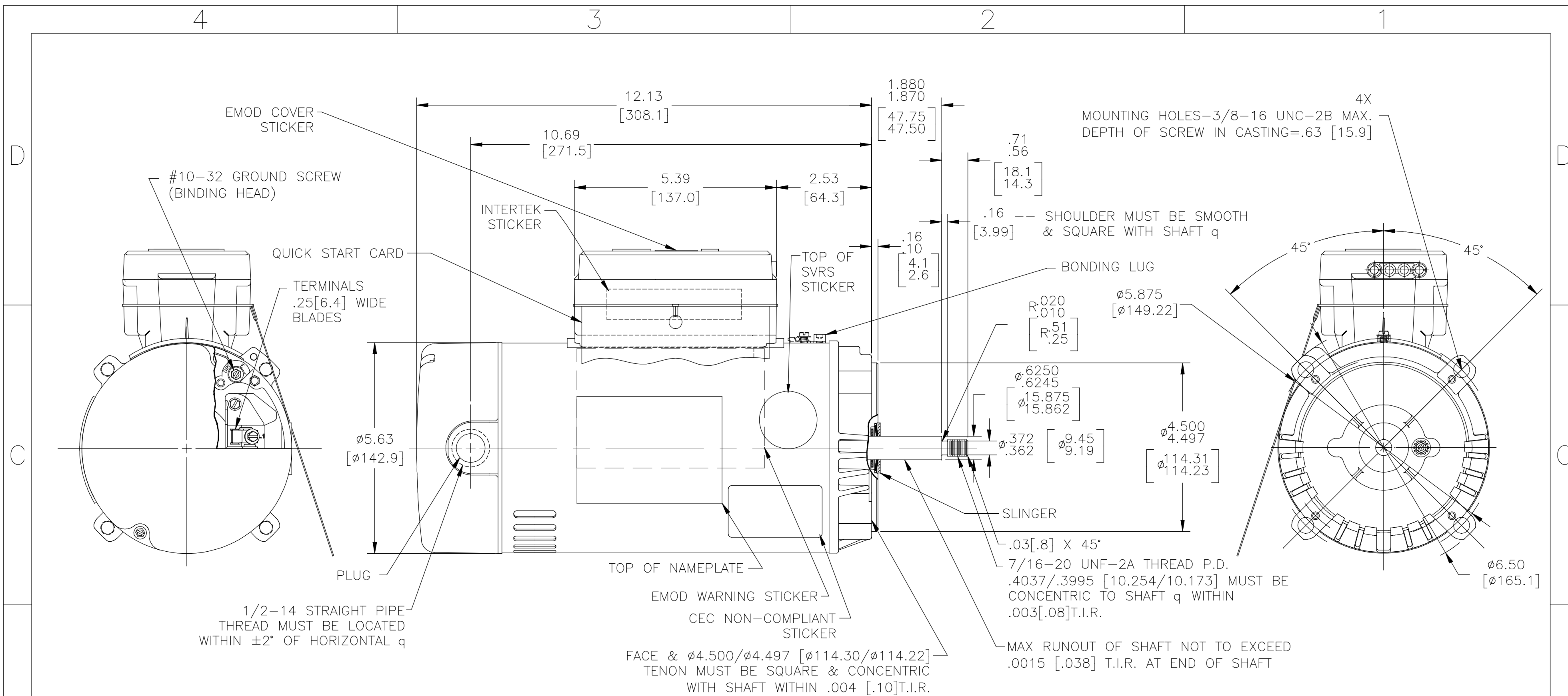
Nameplate Specifications

| | | | |
|--------------------|------------|---------------------|-----------------|
| Phase | 1 | Output HP | 1 1/2 Hp |
| Output KW | 1.1 kW | Voltage | 230/115 V |
| Speed | 3450 rpm | Service Factor | 1.00 |
| Frame | 56J | Enclosure | Open Drip Proof |
| Thermal Protection | Automatic | Ambient Temperature | 50 °C |
| Frequency | 60 Hz | Current | 9.3/18.6 A |
| Duty | Continuous | Insulation Class | B |
| UL | Recognized | CSA | Y |
| Number of Speeds | 1 | | |

Technical Specifications

| | | | |
|-------------------|-----------------|-----------------------|---------------------------|
| Electrical Type | Cap Start Motor | Starting Method | Across The Line |
| Poles | 2 | Rotation | Counterclockwise Pump End |
| Mounting | Round | Motor Orientation | Horizontal |
| Drive End Bearing | Ball | Opp Drive End Bearing | Ball |
| Frame Material | Rolled Steel | Shaft Type | Threaded |
| Overall Length | 14.64 in | Frame Length | 8.75 in |
| Shaft Diameter | 0.625 in | Shaft Extension | 2.59 in |
| Outline Drawing | USTG1152A-S01 | Connection Drawing | 627103-006 |

This is an uncontrolled document once printed or downloaded and is subject to change without notice. Date Created:03/31/2026



| NAMEPLATE DATA | EXTERNAL CONNECTION DIAGRAM | NOTES |
|--|--|---|
| MODEL: C48AA46A01 CUST PN: USTG1152A HP: 1 1/2 SF: 1.00 ROT: CCWPE RPM: 3450 TYPE: UAC CODE: H FORM: FRAME: 56 J VOLTS: 230/115 AMPS: MAX AMPS: 9.3/18.6 SF AMPS: PH: 1 HZ: 60 INS: B AMB: 50°C DUTY: CONT ENCLOSURE: ODP THERMALLY PROTECTED | <p>⊕ GRD GREEN (GROUND)</p> <p>HIGH VOLTAGE SHOWN. ROTATE DIAL CCW TO 115 FOR LOW VOLTAGE.</p> <p>USE COPPER CONDUCTORS ONLY. INSTALL MOTOR WITH VENTS DOWN. ACCEPTABLE FOR FIELD WIRING</p> | <ol style="list-style-type: none"> FINISH PAINT TO BE SATIN BLACK. .44[11.2] WRENCH FLATS ON SHAFT-FOR ACCESS TO THIS WRENCH FLAT REMOVE END COVER. STAINLESS STEEL SHAFT EXTENSION. LIMITS ON AMPLITUDE OF VIBRATION MEASURED AT BEARING HOUSING =.001[.03]. DUAL VOLTAGE MOTORS ARE TO BE CONNECTED FOR HIGHER VOLTAGE. QUIK VOLTAGE CHANGE DIAL INCLUDED ON THE TERMINAL BOARD. |

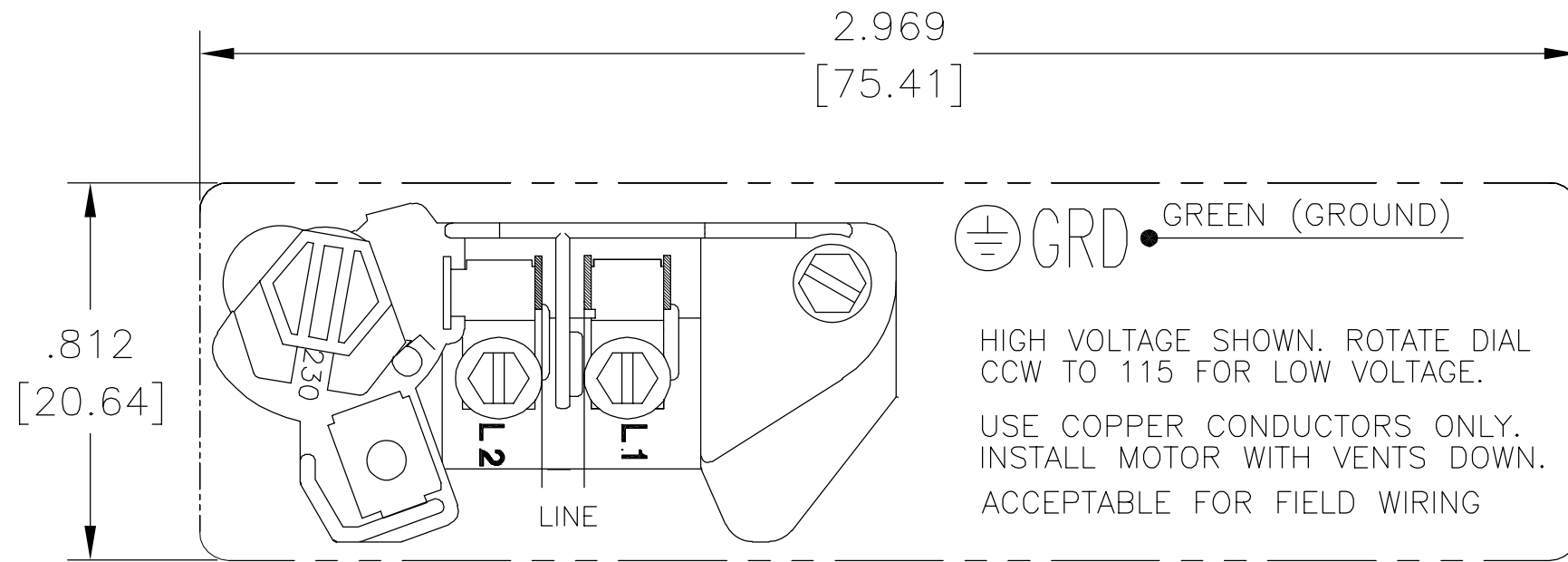
| PERFORMANCE CURVE | APPROVED SAMPLE | | |
|-------------------|-----------------|---------|---------|
| C48L2W36 | | | |
| UL COMPONENT | CSA | | |
| FILE# | CCN# | FILE# | GUIDE# |
| PENDING | PENDING | PENDING | PENDING |
| CUSTOMER | DIST. SERVICES | | |

| REVISION | REVISION BY | DATE |
|-------------------------|-------------|------------|
| E | M.RODARTE | 05-01-2019 |
| ECO | APPROVED BY | DATE |
| ECO-0165900 | - | - |
| ECO DESCRIPTION SEE ECO | | |

| TOLERANCES UNLESS OTHERWISE SPECIFIED |
|---|
| DEC. INCH mm ANGLE |
| .X ±0.1 [±2.5] ±0.5° |
| .XX ±0.02 [±0.51] |
| .XXX ±0.005 [±0.127] |
| .XXXX ±0.0005 [±0.0127] |
| REMOVE BURRS & BREAK SHARP EDGES .003/.015 [0.076/.381] |
| CORNER FILLETS .02 [0.51] |
| MACHINED SURFACES 125/3.2 |
| mm SHOWN IN [BRACKETS] |

| | |
|------------------------|--------------------------------------|
| DRAWN BY: JHENRY | Regal Beloit America, Inc. |
| DATE: 03-24-2009 | |
| APPROVED BY: | DESCRIPTION: MODEL-PFHP-48FR OUTLINE |
| DATE: | MATERIAL: PROCESS/FINISH: |
| REFERENCE: | SIZE DWG NO: USTG1152A |
| THIRD ANGLE PROJECTION | SHEET 1 |

| | | | | | |
|-----|---------|---------|------------|-------------|------------|
| REV | ECO | REV BY | DATE | APPD | DATE |
| B | 0001487 | D.MUÑOZ | 04-13-2009 | M.ARGUELLES | 04-13-2009 |



DUAL VOLTAGE

NOTE:

1. FOR USE WITH 616231 NAME PLATE BLANK.
2. — — — — INDICATES DIMENSIONAL LIMITS.
3. DIE MUST PRODUCE A LEGIBLE IMPRESSION.

GEOMETRIC CHARACTERISTICS & SYMBOLS

- ▭ FLATNESS
- STRAIGHTNESS
- ∠ ANGULARITY
- ⊥ PERPENDICULARITY (SQUARENESS)
- // PARALLELISM
- ROUNDNESS (CIRCULARITY)
- ⊘ CYLINDRICITY
- △ PROFILE OF ANY SURFACE
- ⌒ PROFILE OF ANY LINE
- ↑ RUNOUT
- ⊕ TRUE POSITION
- ◎ CONCENTRICITY
- ⊖ SYMMETRY

UNLESS OTHERWISE SPECIFIED
DIM. TOLERANCES ARE AS FOLLOWS:

| | | | | |
|------|------|-------|--------|--------|
| INCH | ±.1 | ±.02 | ±.005 | ±.0005 |
| mm | ±0.5 | ±0.13 | ±0.013 | |

ANG. ±.50 DEG

REMOVE BURRS & BREAK SHARP EDGES:

| | | | |
|------|-----------|----|---------|
| INCH | .003-.015 | mm | 0.1-0.4 |
|------|-----------|----|---------|

CORNER FILLETS TO:

| | | | |
|------|------|----|-----|
| INCH | .020 | mm | 0.5 |
|------|------|----|-----|

MACHINE SURFACES:

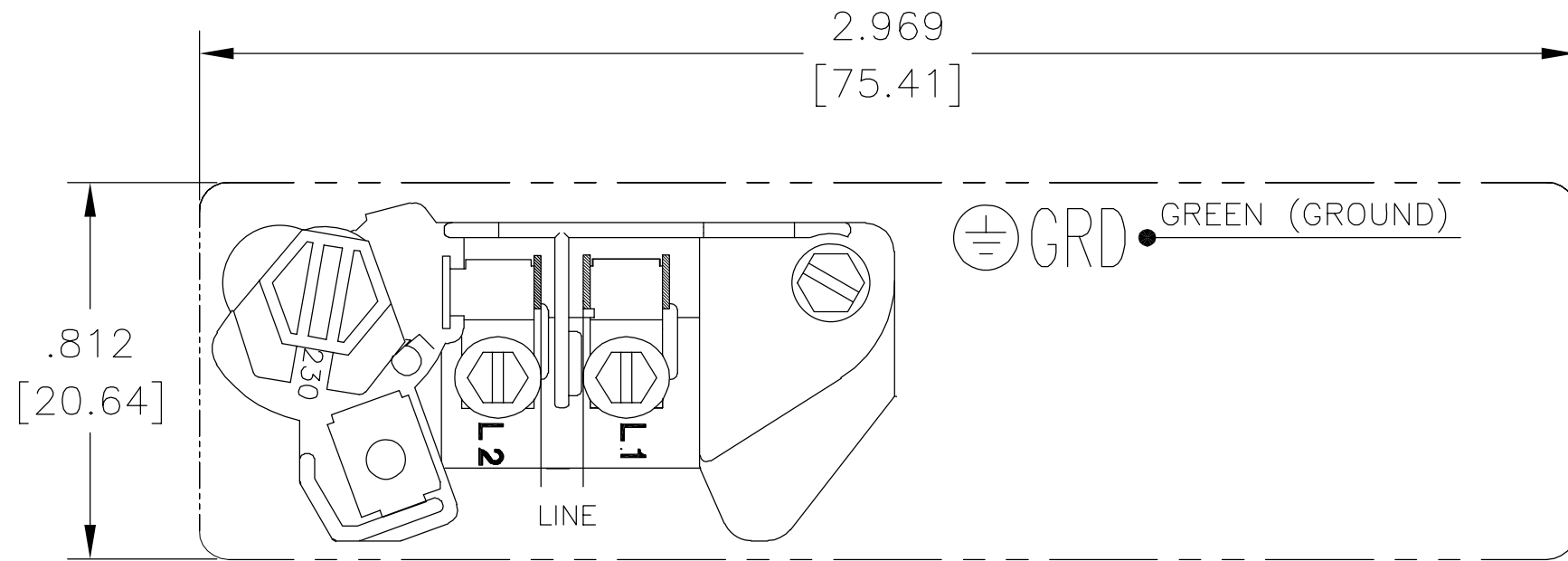
| | | | |
|------|-----|----|-----|
| INCH | 125 | mm | 3.2 |
|------|-----|----|-----|

METRIC DIMS. SHOWN IN [BRACKETS]

| | | |
|---|--------------|-------------------------------------|
| DR BY: | Daniel Muñoz | 04-13-2009 |
| APPD: | | |
| THIRD ANGLE PROJECTION | | EDS DATE 02-22-2009 FORMAT REV F |
| CONFIDENTIAL: THIS DRAWING AND ITS INFORMATION ARE THE EXCLUSIVE AND CONFIDENTIAL PROPERTY OF A.O. SMITH CORP. AND ARE NOT TO BE DISCLOSED, DUPLICATED, DISTRIBUTED OR OTHERWISE USED WITHOUT THE WRITTEN CONSENT OF A.O. SMITH CORP. -ALL RIGHTS RESERVED. ASME Y14.5M 1994 | | |

| | | | |
|---|----------------------|--|------------|
| | | ELECTRICAL PRODUCTS COMPANY <small>A DIVISION OF A. O. SMITH CORPORATION</small> | |
| DESCRIPTION CONNECTION DIAGRAM EXTERNAL | | | |
| SIZE A | DWG NO 627103-006 | | |
| SCALE NONE | | | SHEET 1 |

| | | | | | |
|-----------|---------|---------------|------------|---------------|------------|
| REVISION: | ECO | REVISADO POR: | FECHA: | APROBADO POR: | FECHA: |
| B | 0001487 | D.MUÑOZ | 04-13-2009 | M.ARGUELLES | 04-13-2009 |



VOLTAJE DOBLE

NOTAS:

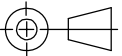
1. PARA USARSE CON LA PLACA DE DATOS EN BLANCO 616231.
2. — — — — — INDICA LIMITES DIMENSIONALES.
3. EL DADO DEBE PRODUCIR UNA IMPRESION LEGIBLE.


CARACTERISTICAS DE GEOMETRIA Y SIMBOLOS

- ▭ PLANICIDAD
- RECTITUD
- ∠ ANGULARIDAD
- ⊥ PERPENDICULARIDAD (A ESCUADRA)
- // PARALELISMO
- REDONDEZ (CIRCULARIDAD)
- ⊘ CILINDRICIDAD
- △ PERFIL DE CUALQUIER SUPERFICIE
- ∩ PERFIL DE CUALQUIER LINEA
- ↑ VARIACION
- ⊕ POSICION REAL
- ◎ CONCENRICIDAD
- ≡ SIMETRIA

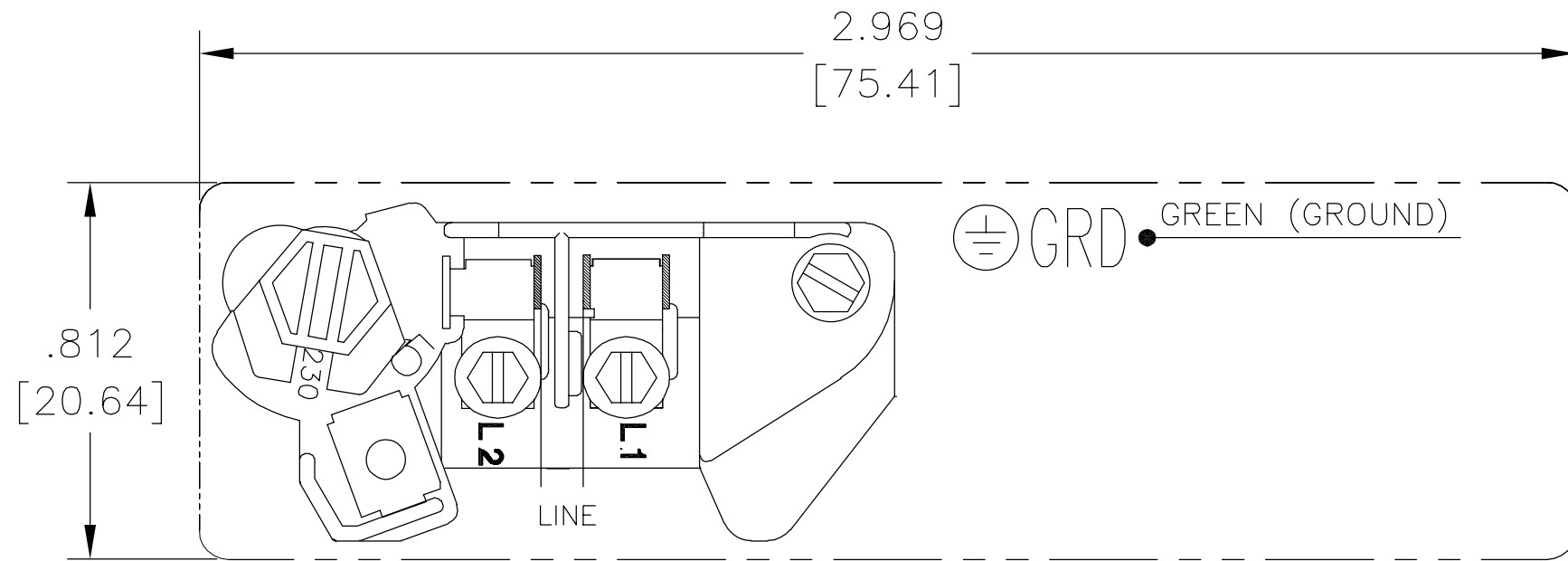
A MENOS QUE SE ESPECIFIQUE DE OTRA MANERA, LAS TOLERANCIAS DE LAS DIMS; SON LAS SIGUIENTES:

| | | | | |
|---|------------------|------------|--------|--------|
| | X | XX | XXX | XXXX |
| PULG | ±.1 | ±.02 | ±.005 | ±.0005 |
| mm | ±0.5 | ±0.13 | ±0.013 | |
| ANG. | ±.50 GRADOS | | | |
| ELIMINAR REBABAS Y ORILLAS FILOSAS DEL BORDE. | | | | |
| | PULG .003-.015 | mm 0.1-0.4 | | |
| FILETEAR ESQUINA: | PULG .020 mm 0.5 | | | |
| MAQUINAR SUPERFICIES | PULG 125 mm 3.2 | | | |
| DIMS METRICAS MOSTRADAS [PARENTESIS] | | | | |

| | |
|--|---|
| DIBUJADO POR: Daniel Muñoz | 04-13-2009 |
| APROBADO POR: | |
| TERCER ANGULO DE PROYECCION |  |
| FECHA EDS: 02-22-2009 | REV. FORMATO: F |
| CONFIDENCIAL: ESTE DIBUJO Y SU INFORMACION SON PROPIEDAD DE USO EXCLUSIVO Y CONFIDENCIAL DE A.O.SMITH CORP. Y NO DEBERAN SER REVELADOS, DUPLICADOS, DISTRIBUIDOS O USARSE DE OTRA MANERA SIN EL CONSENTIMIENTO ESCRITO DE A.O. SMITH CORP. | |
| -TODOS LOS DERECHOS RESERVADOS.ASME Y14.5M 1994 | |

| | |
|--|---------------------------------|
|  ELECTRICAL PRODUCTS COMPANY <small>A DIVISION OF A. O. SMITH CORPORATION</small> | |
| DESCRIPCION: CONNECTION DIAGRAM EXTERNAL | |
| TAMAÑO: A | NUMERO DE DIBUJO: 627103-006 |
| ESCALA:NONE | HOJA: 1 |

| | | | | | |
|----|---------|---------|------------|-------------|------------|
| 版本 | ECO | 编制 | 日期 | 批准 | 日期 |
| B | 0001487 | D.MUÑOZ | 04-13-2009 | M.ARGUELLES | 04-13-2009 |



- 形位公差
- 平面度
- 直线度
- ∠ 倾斜度
- ⊥ 垂直度
- // 平行度
- 圆度
- ⊘ 圆柱度
- △ 面轮廓度
- ⌒ 线轮廓度
- ↗ 圆跳动
- ⊕ 位置度
- ◎ 同轴度
- ≡ 对称度

除另有注明
尺寸公差如下:

| | | | | |
|---------|-----------|-------|---------|--------|
| | X | XX | XXX | XXXX |
| 英寸 | ±.1 | ±.02 | ±.005 | ±.0005 |
| 毫米 | ±0.5 | ±0.13 | ±0.013 | |
| 角度 | ±.50 度 | | | |
| 清理毛刺和尖棱 | | | | |
| 英寸 | .003-.015 | 毫米 | 0.1-0.4 | |
| 内圆角 | | | | |
| 英寸 | .020 | 毫米 | 0.5 | |
| 表面粗糙度 | | | | |
| 英制 | 125 | 米制 | 3.2 | |

米制尺寸显示在 []

| | | |
|---|--------------|---------------------------------|
| 绘图: | Daniel Muñoz | 04-13-2009 |
| 批准: | | |
| 第三角投影 | | 图纸格式发布日期 02-22-2009 图纸格式版本 F |
| 机密: 本图纸及相关信息所有权归A. O. SMITH公司所有。 未经A. O. SMITH公司书面授权, 不得泄露、复制、传播或作 其他用途。—版权所有 | | |
| ASME Y14.5M 1994 | | |

| | | | |
|----------------------------|------|--|------------|
| innovation has a name. | | ELECTRICAL PRODUCTS COMPANY <small>A DIVISION OF A. O. SMITH CORPORATION</small> | |
| 名称 | | CONNECTION DIAGRAM EXTERNAL | |
| 图幅 | A | 图号 | 627103-006 |
| 比例 | NONE | 页号 | 1 |