

PRODUCT INFORMATION PACKET

marathon®
Motors

Model No: 056B11G5301

Catalog No: G655

Hazardous Duty® Explosion Proof Motor, 0.50 HP, 1 Ph, 60 Hz, 115/230 V, 1200 RPM, 56 Frame, EPFC

Operational at 115/208-230 V @60HZ



Regal and Marathon are trademarks of Regal Rexnord Corporation or one of its affiliated companies.
©2023 Regal Rexnord Corporation, All Rights Reserved. MC017097E

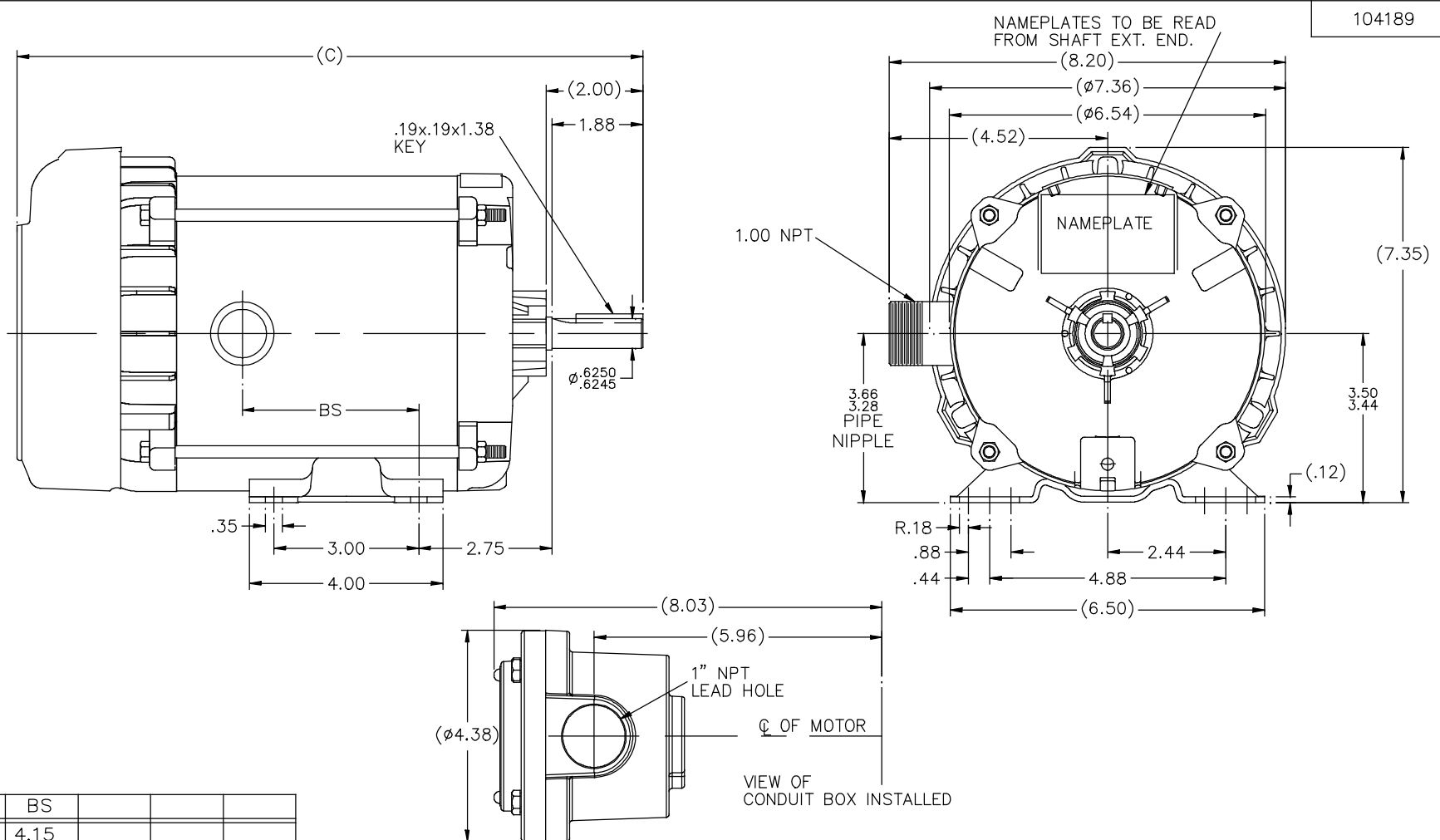
RegalRexnord

Nameplate Specifications

Phase	1	Output HP	0.50 Hp
Output KW	0.37 kW	Voltage	115/230 V
Speed	1140 rpm	Service Factor	1.00
Frame	56	Enclosure	Explosion Proof Fan cooled
Thermal Protection	Automatic	Efficiency	64 %
Ambient Temperature	40 °C	Frequency	60 Hz
Current	9.6/4.8 A	Power Factor	56
Duty	Continuous	Insulation Class	B
Design Code	NO DESIGN CODE	KVA Code	M
Drive End Bearing Size	6203	Opp Drive End Bearing Size	6203
UL	UL Listed And CSA Certified	CSA	Y
CE	N	IP Code	54
Number of Speeds	1	Hazardous Location	DIV 1 EXP PROOF CL I GR CD CL II GR FG T3B

Technical Specifications

Electrical Type	Capacitor Start Capacitor Run	Starting Method	Across The Line
Poles	6	Rotation	Selective Counterclockwise
Resistance Main	0 Ohms	Mounting	Rigid Base
Motor Orientation	Horizontal	Drive End Bearing	Ball
Opp Drive End Bearing	Ball	Frame Material	Rolled Steel
Shaft Type	NEMA 56	Overall Length	14.94 in
Frame Length	7.81 in	Shaft Diameter	0.625 in
Shaft Extension	2 in	Assembly/Box Mounting	F1 ONLY
Connection Drawing	102006-95	Outline Drawing	B-104189-781



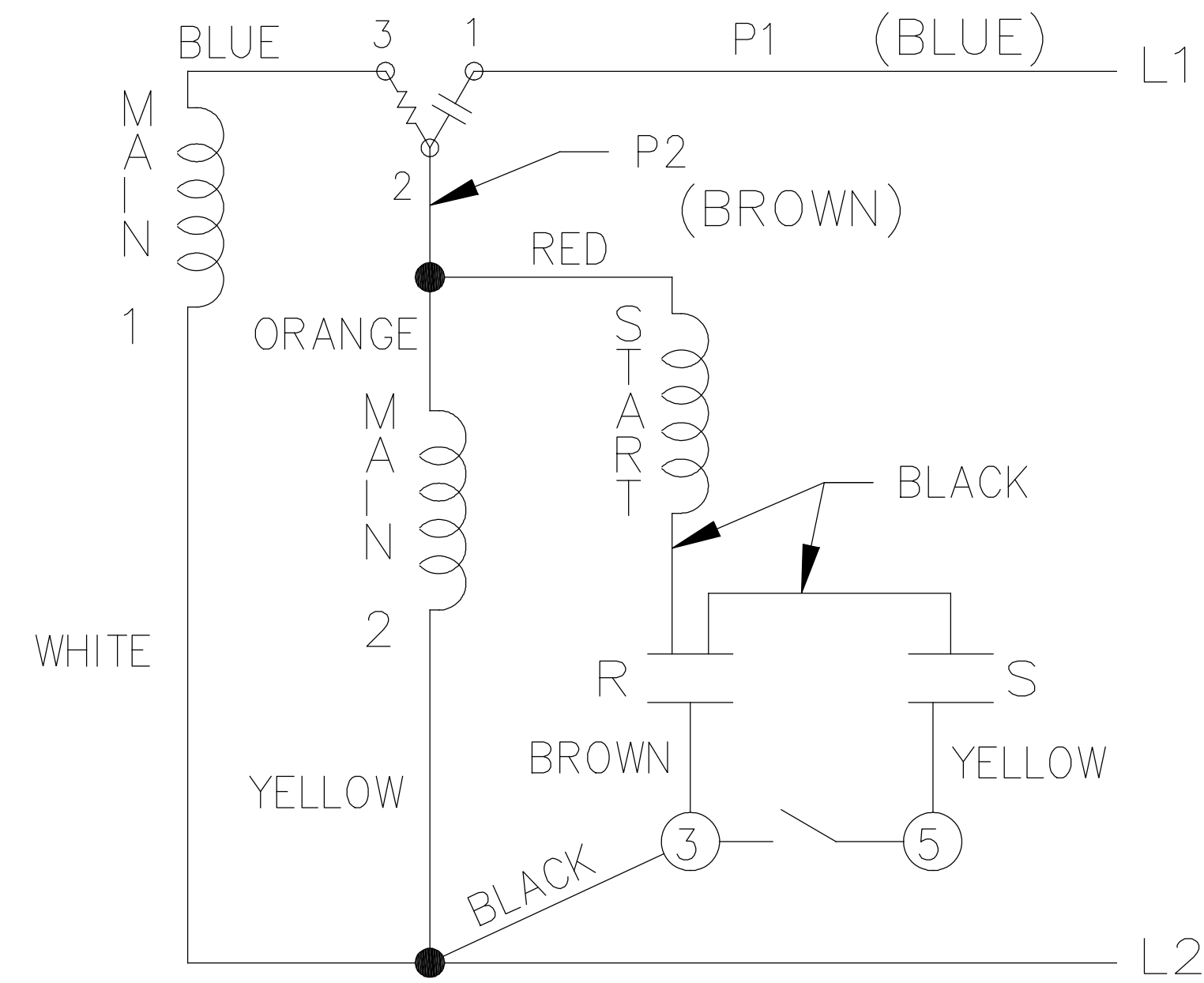
104189

DASH	(C)	BS			
631	13.44	4.15			
681	13.94	4.65			
731	14.44	5.15			
781	14.94	5.65			
831	15.44	6.15			
881	15.94	6.65			
931	16.44	7.15			
981	16.94	7.65			

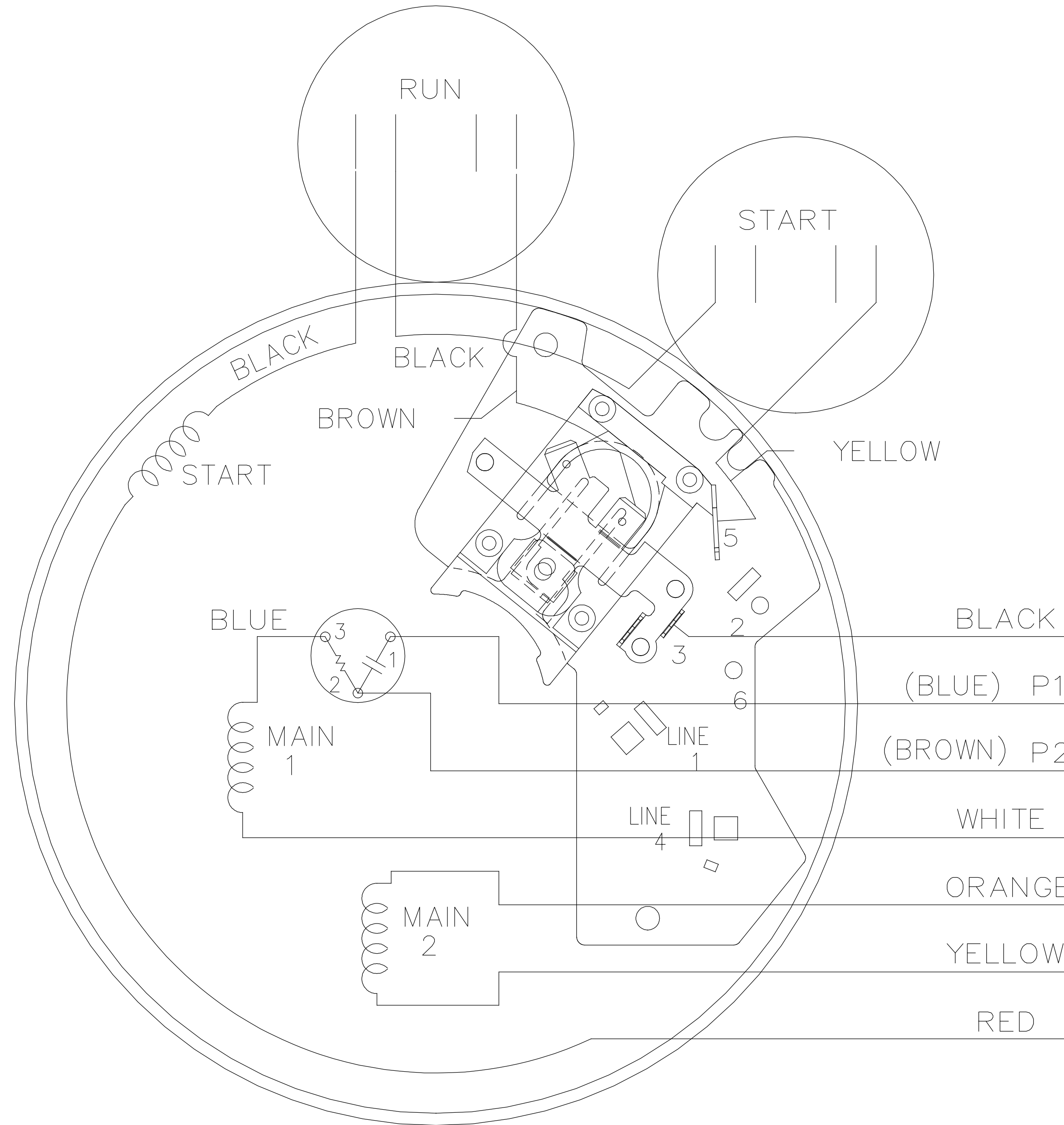
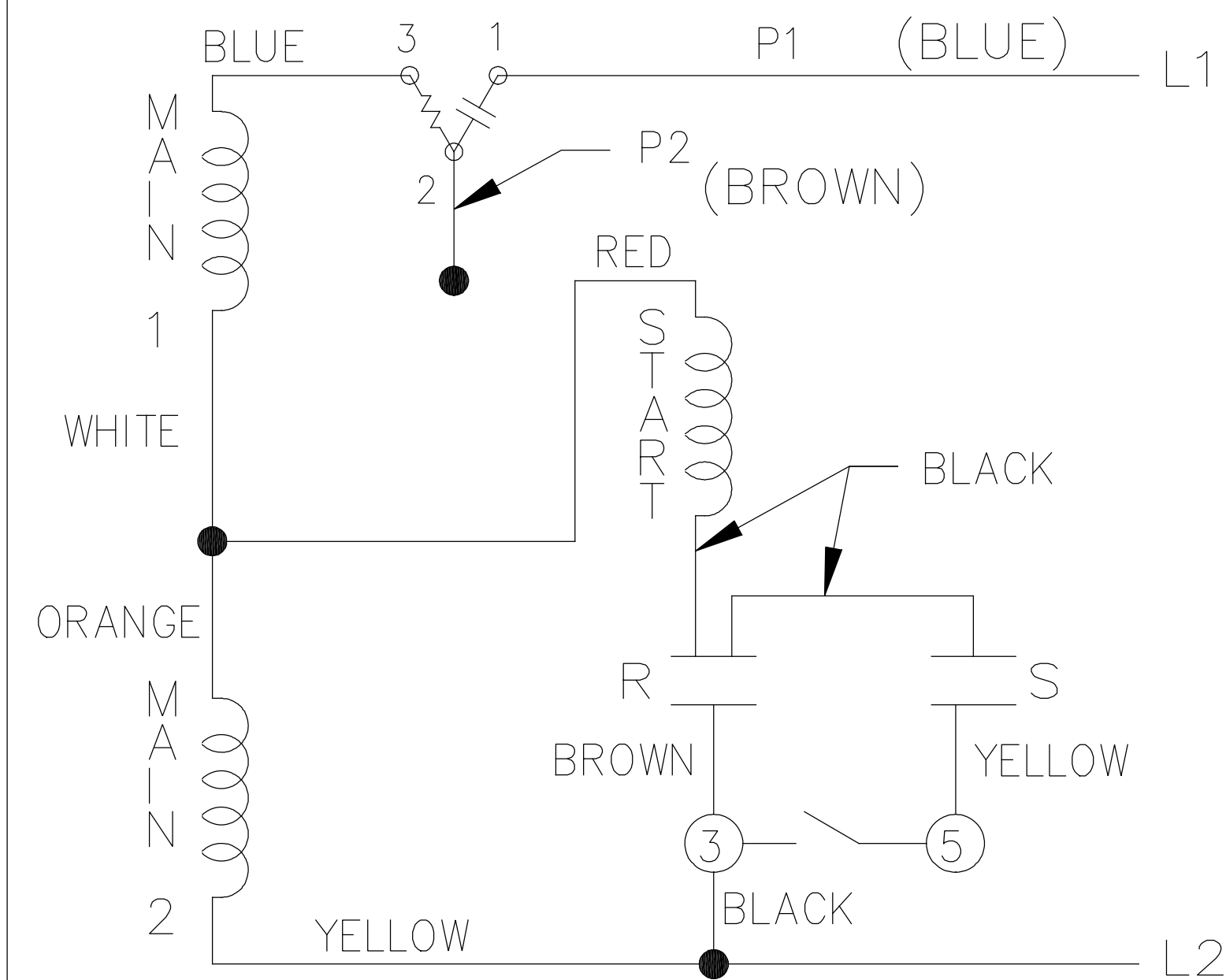
				TOLERANCES UNLESS SPECIFIED		REGAL™ Regal Beloit America, Inc.		DRAWN MH 11-20-1996	
				DEC.	INCHES			CHK	ML 12-02-1996
4	COND. BOX INSTALLED VIEW UPDATED PER ECR-0044571	UD	10/15/13	ST	.XX	±.1		APPD	GK 12-02-1996
3	REVISED C'BOX PER CN40784A	JJB	02/23/2007	ML	.XX	±.03	TITLE OUTLINE	SCALE	1=2
2	ADDED CONDUIT BOX VIEW CN 26686	MRB	03-22-1998		.XXX	±.005	56 FR. - EXP. PR. - TEFC - 1ø & 3ø	REF	
1	NEW DRAWING CN 23099	MH	12-02-1996		.XXXX	±.0005	MAT'L	FMF	
NO.	REVISION	BY & DATE		CHK	ANG	±7'30"	FINISH	PREV	
THIS DRAWING IN DESIGN AND DETAIL IS OUR PROPERTY AND MUST NOT BE USED EXCEPT IN CONNECTION WITH OUR WORK. ALL RIGHTS OF DESIGN AND INVENTION ARE RESERVED. THIS IS AN ELECTRONICALLY GENERATED DOCUMENT - DO NOT SCALE THIS PRINT				RFP	CAD FILE 104189			SIZE	DRAWING NO. PAGE OF REV.
				DIST	WP			B	104189 4

102006-95

LOW VOLTAGE C.C.W.

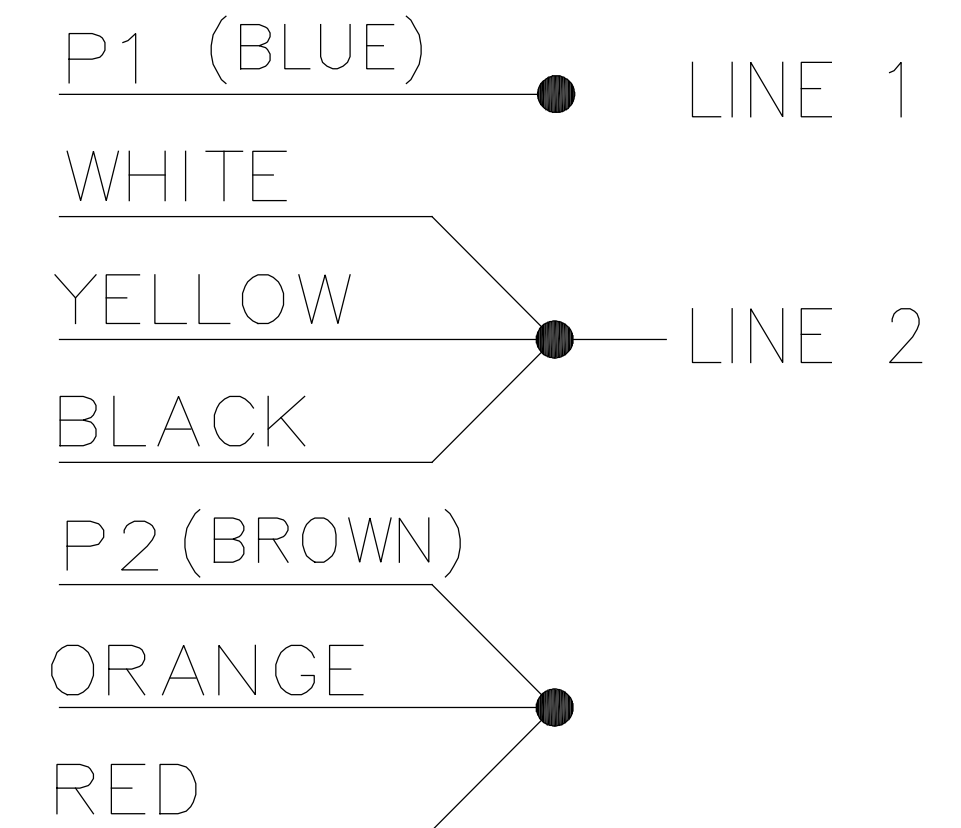


HIGH VOLTAGE C.C.W.

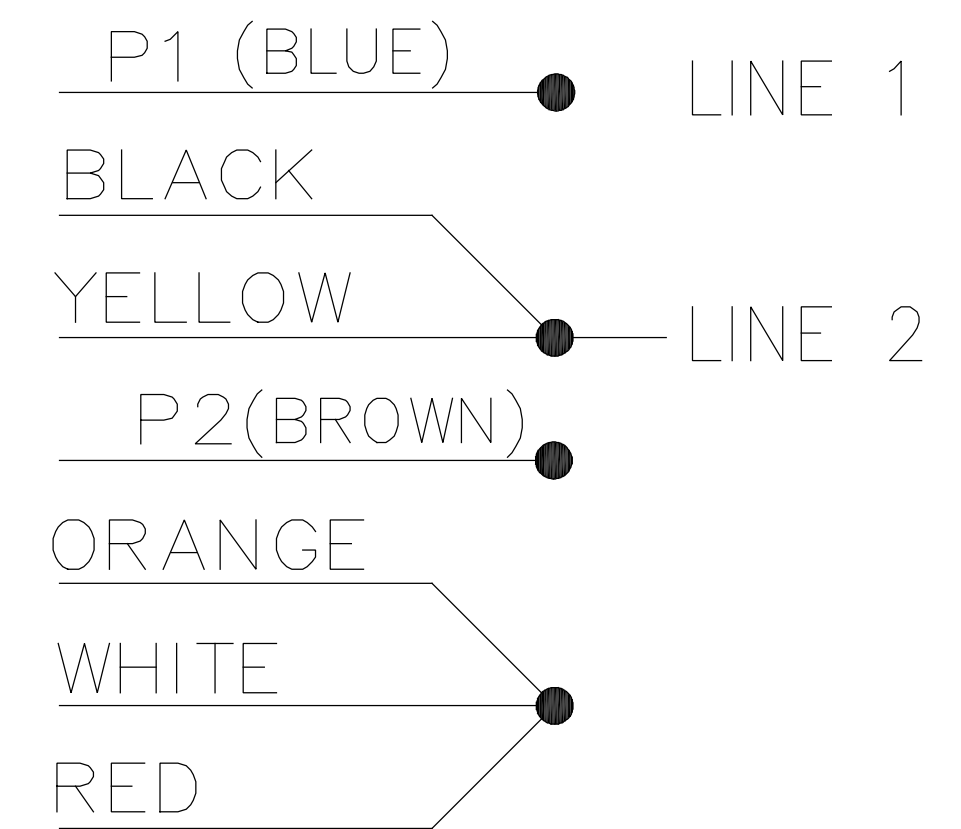


DUAL VOLTAGE
CAP. START-CAP. RUN
OVERLOAD SELECT
ROTATION.

LOW VOLT. CCW ROT.



HIGH VOLT. CCW ROT.



FOR CW ROT. EITHER
VOLTAGE INTERCHANGE
RED WITH BLACK LEAD.

NO.	REVISION	BY & DATE	CHK	TOLERANCES UNLESS SPECIFIED		FINISH	DRAWN	PAGE	OF	REV.				
				DEC.	INCHES									
4	UPDATED LOGO	SG 08/06/2020	PVR	.X	±.1		AJS	01-18-1995						
3	ADDED COLOURS TO P1 & P2 ISAAC 12-3060	PVR 08-01-12	SVL	.XX	±.02	TITLE CONNECTION DIAGRAM	ML	01-19-1995						
2	ADDED WIRE COLOR TO P1 AND P2 ISAAC 12-3060	WGJ 06-26-2012	DD	.XXX	±.005		ET	01-20-1995	SCALE	5=8				
1	NEW DRAWING 4237342	AJS 01-20-1995		.XXXX	±.0005	MAT'L.	REF							
			RFP	ANG	±7'30"		FMF							
THIS DRAWING IN DESIGN AND DETAIL IS OUR PROPERTY AND MUST NOT BE USED EXCEPT IN CONNECTION WITH OUR WORK ALL RIGHTS OF DESIGN AND INVENTION ARE RESERVED THIS IS AN ELECTRONICALLY GENERATED DOCUMENT - DO NOT SCALE THIS PRINT							CAD FILE	102006-95	SIZE	A	DRAWING NO.	102006-95	REV.	4





MARATHON ELECTRIC CORPORATION
TYPICAL PERFORMANCE CURVE for AC MOTOR

Customer

Curve at

230 Volts
60 HZ
0.5 HP

HP 0.50

PHASE 1

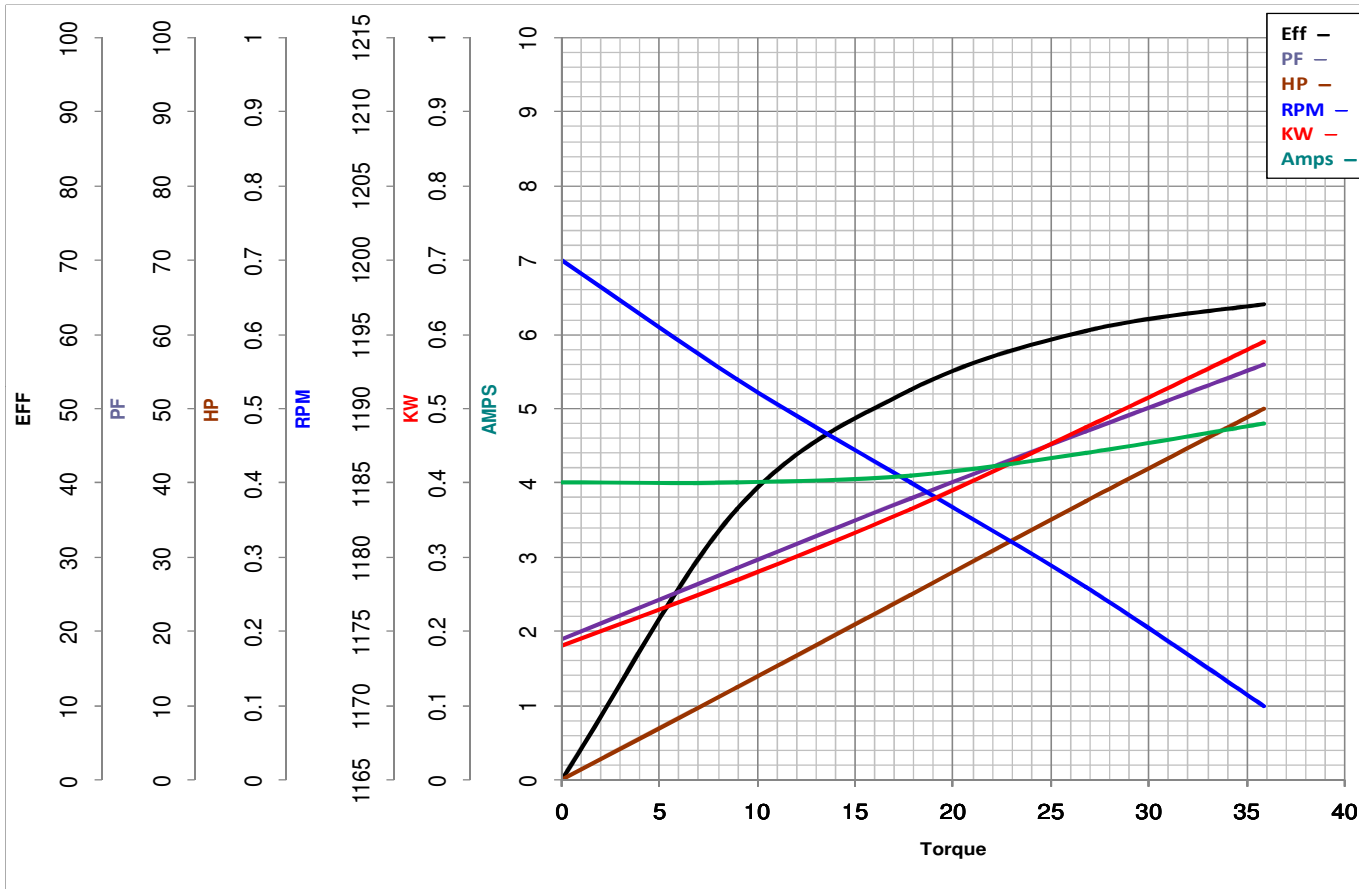
Model No 56B11G5301

VOLTS 115/208-230

Catalog No G655

HZ 60

RPM 1140



Torque in Oz.Ft

FL TORQUE 35.9 Oz.Ft
BD TORQUE 104.0 Oz.Ft
LR TORQUE 109 Oz.Ft

FL AMPS 9.6/4.7-4.8
PU TORQUE 78.9 Oz.Ft
LR AMPS 23.5

WINDING ZB601-3

Date 1/11/2019