

# PRODUCT INFORMATION PACKET

Model No: 056C17G5315

Catalog No: G651

Hazardous Duty® Explosion Proof Motor, 0.33 HP, 1 Ph, 60 Hz, 115/230 V, 1800 RPM, 56 Frame, EPFC

Operational at 115/208-230 V @60HZ



Regal and Marathon are trademarks of Regal Rexnord Corporation or one of its affiliated companies.  
©2023 Regal Rexnord Corporation, All Rights Reserved. MC017097E

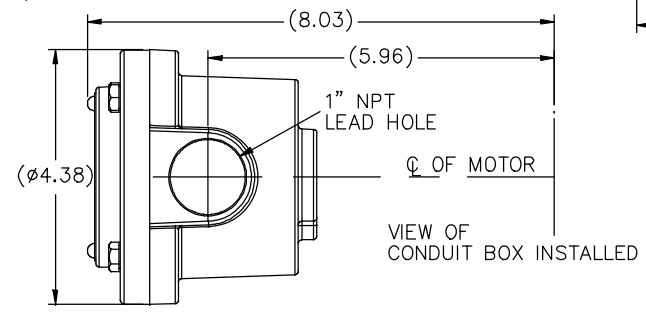
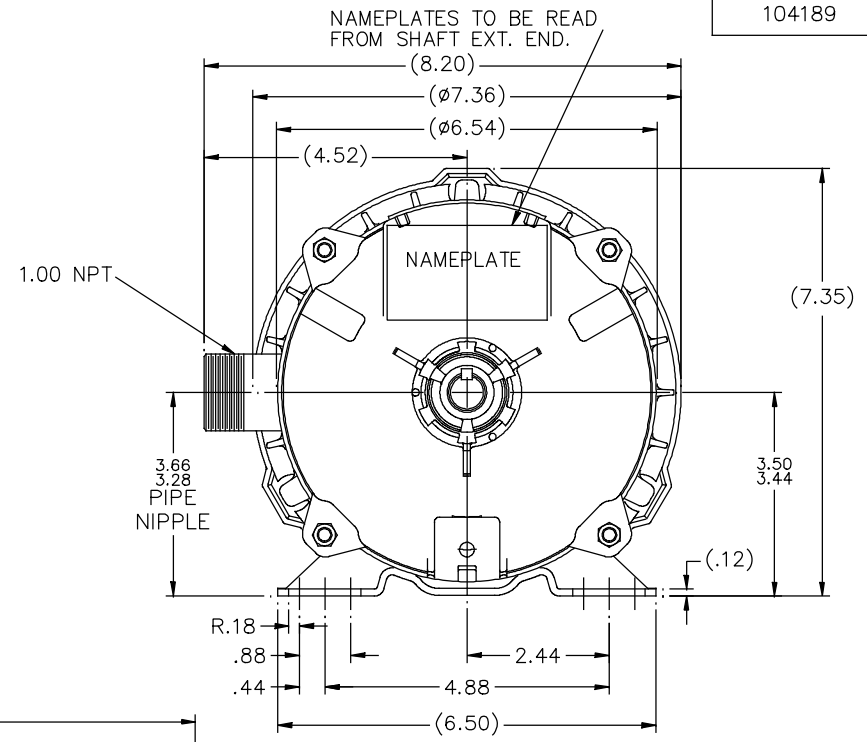
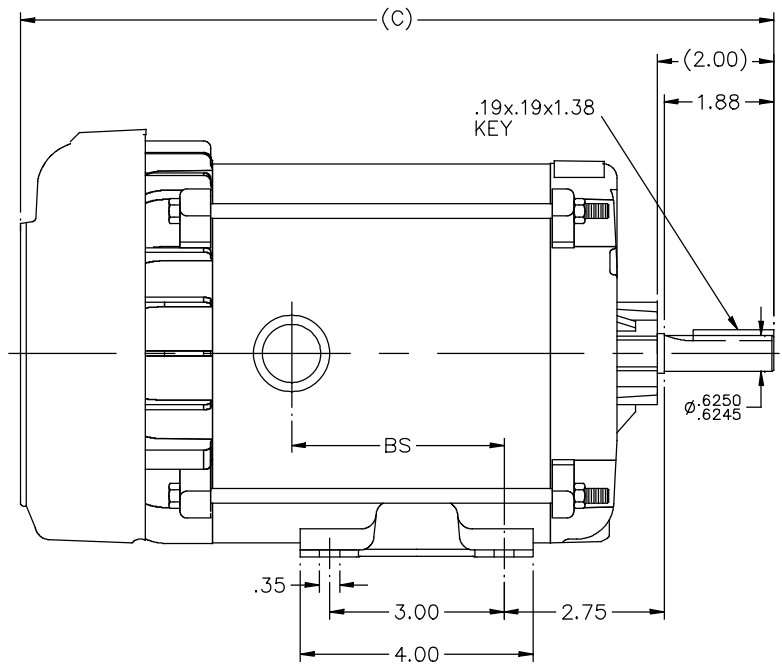
### Nameplate Specifications

Phase	1	Output HP	0.33 Hp
Output KW	0.25 kW	Voltage	115/230 V
Speed	1725 rpm	Service Factor	1.00
Frame	56	Enclosure	Explosion Proof Fan cooled
Thermal Protection	Automatic	Efficiency	55 %
Ambient Temperature	40 °C	Frequency	60 Hz
Current	6.6/3.3 A	Power Factor	60
Duty	Continuous	Insulation Class	B
Design Code	NO DESIGN CODE	KVA Code	N
Drive End Bearing Size	6203	Opp Drive End Bearing Size	6203
UL	UL Listed And CSA Certified	CSA	Y
CE	N	IP Code	54
Number of Speeds	1	Hazardous Location	DIV 1 EXP PROOF CL I GR CD CL II GR FG T3B

### Technical Specifications

Electrical Type	Capacitor Start Induction Run	Starting Method	Across The Line
Poles	4	Rotation	Selective Counterclockwise
Resistance Main	0 Ohms	Mounting	Rigid Base
Motor Orientation	Horizontal	Drive End Bearing	Ball
Opp Drive End Bearing	Ball	Frame Material	Rolled Steel
Shaft Type	NEMA 56	Overall Length	13.44 in
Frame Length	6.31 in	Shaft Diameter	0.625 in
Shaft Extension	2 in	Assembly/Box Mounting	F1 ONLY
Connection Drawing	102005-84	Outline Drawing	104189-631

104189

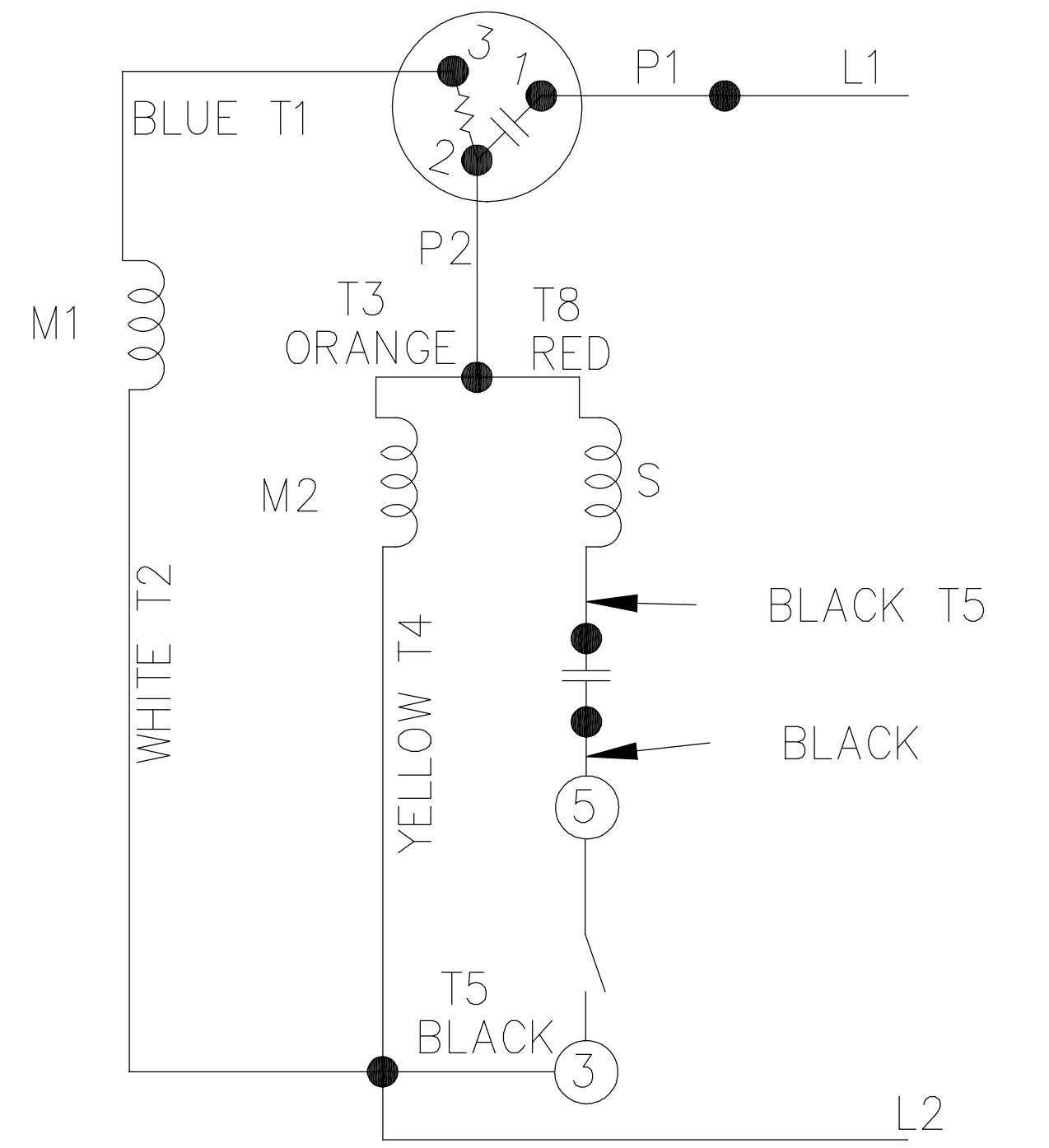


DASH	(C)	BS			
631	13.44	4.15			
681	13.94	4.65			
731	14.44	5.15			
781	14.94	5.65			
831	15.44	6.15			
881	15.94	6.65			
931	16.44	7.15			
981	16.94	7.65			

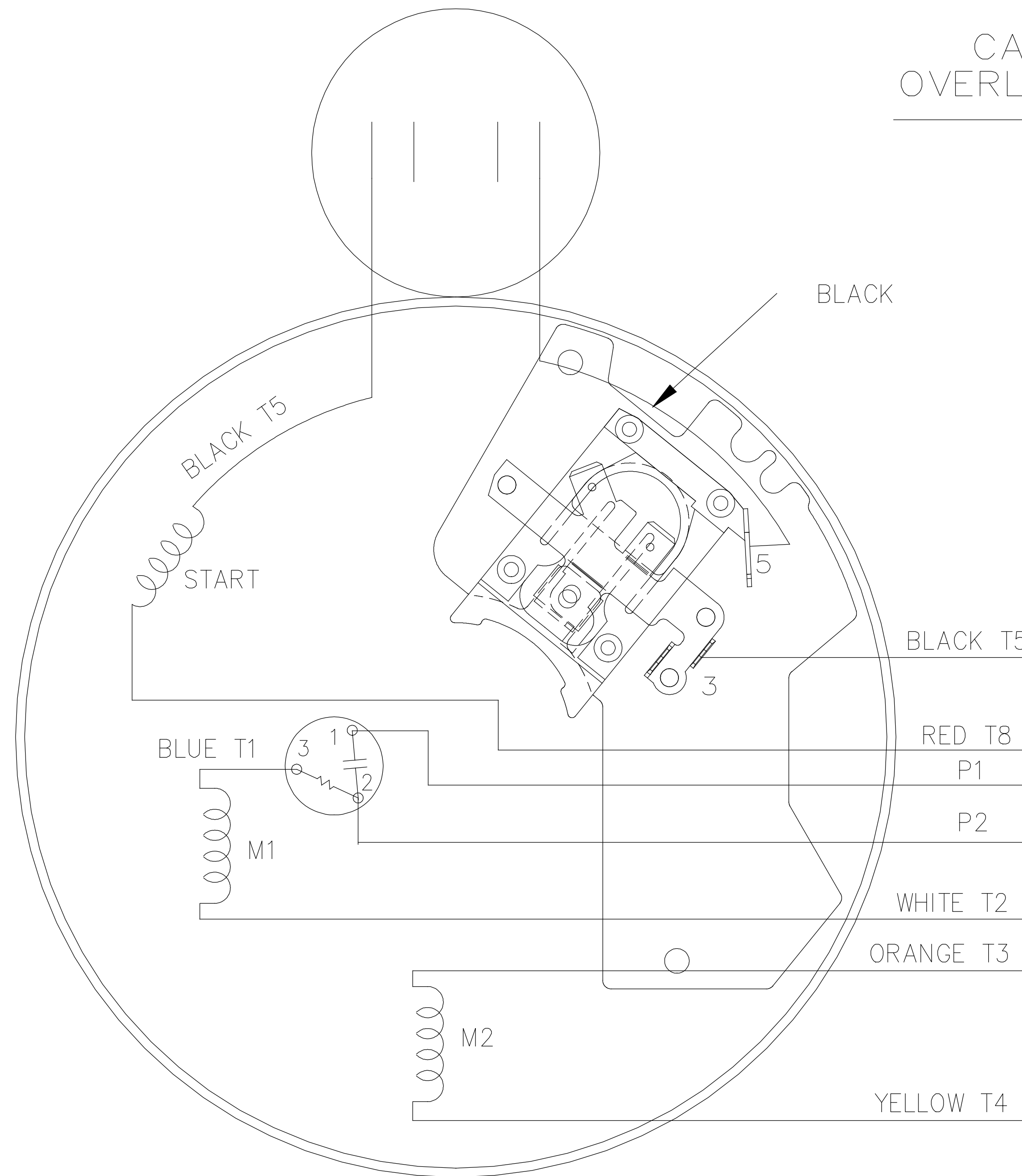
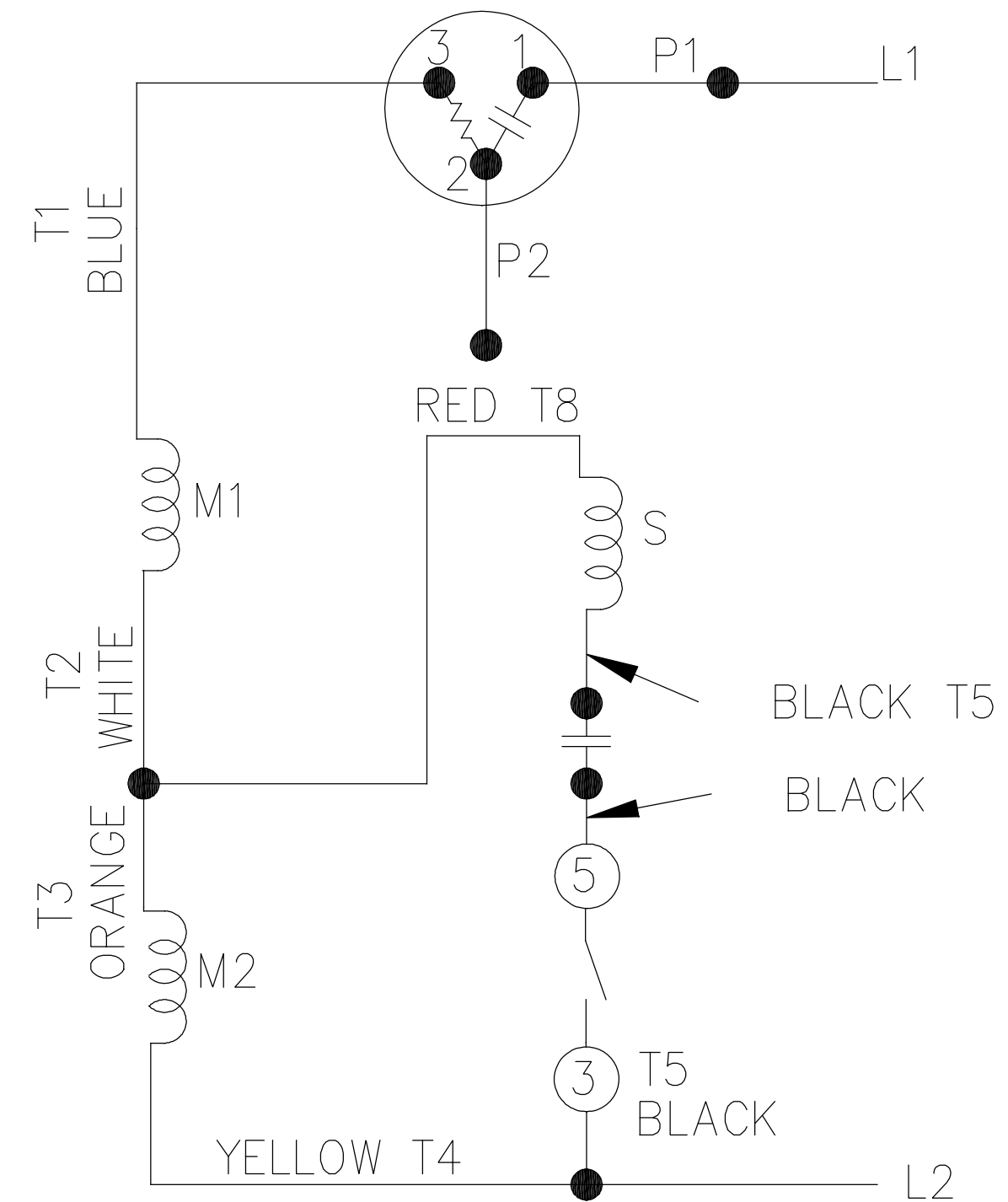
				TOLERANCES UNLESS SPECIFIED		REGAL™ Regal Beloit America, Inc.		DRAWN MH 11-20-1996	
				DEC.	INCHES			CHK	ML 12-02-1996
4	COND. BOX INSTALLED VIEW UPDATED PER ECR-0044571	UD	10/15/13	ST	.X	±.1		APPD	GK 12-02-1996
3	REVISED C'BOX PER CN40784A	JJB	02/23/2007	ML	.XX	±.03	TITLE OUTLINE	SCALE	1=2
2	ADDED CONDUIT BOX VIEW CN 26686	MRB	03-22-1998		.XXX	±.005	56 FR. - EXP. PR. - TEFC - 1Ø & 3Ø	REF	
1	NEW DRAWING CN 23099	MH	12-02-1996		.XXXX	±.0005	MAT'L	FMF	
NO.	REVISION	BY & DATE		CHK	ANG	±7'30"	FINISH	PREV	
THIS DRAWING IN DESIGN AND DETAIL IS OUR PROPERTY AND MUST NOT BE USED EXCEPT IN CONNECTION WITH OUR WORK. ALL RIGHTS OF DESIGN AND INVENTION ARE RESERVED. THIS IS AN ELECTRONICALLY GENERATED DOCUMENT - DO NOT SCALE THIS PRINT				RFP	CAD FILE 104189			SIZE	DRAWING NO. PAGE OF REV.
				DIST	WP			B	104189 4

DUAL VOLTAGE  
CAPACITOR START  
OVERLOAD SELECT ROT.

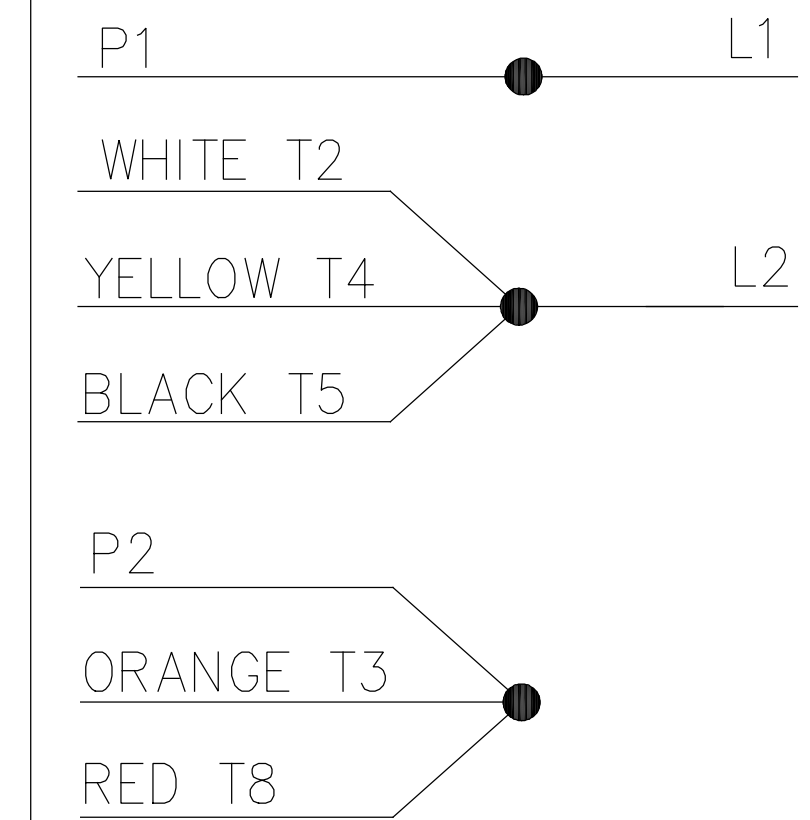
LOW VOLTAGE - C.C.W.



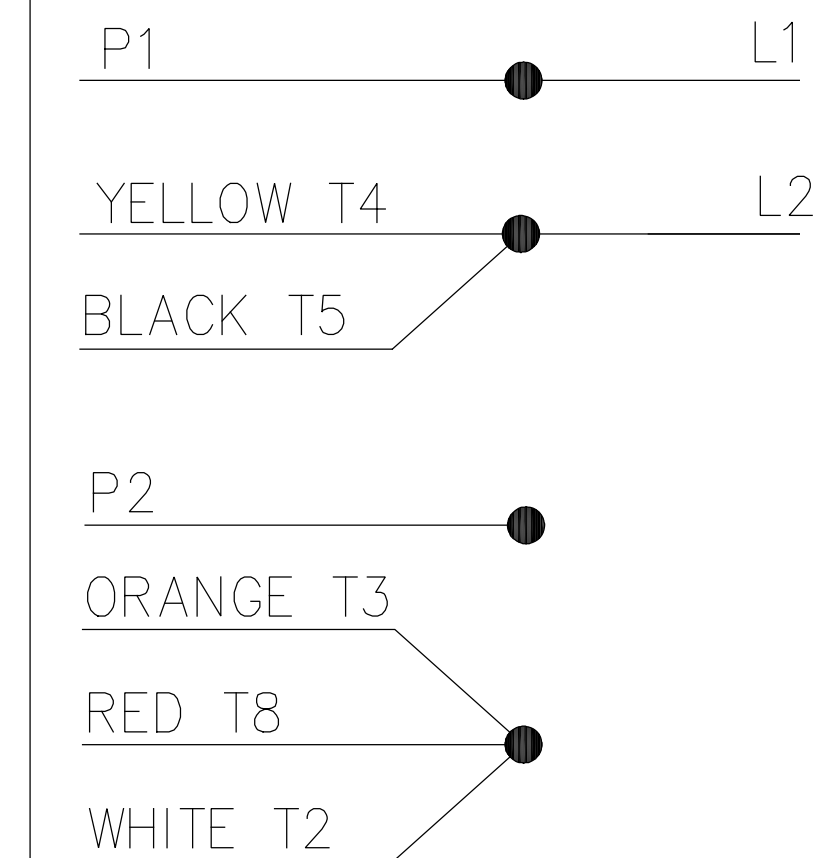
HIGH VOLTAGE - C.C.W.



LOW VOLT. - C.C.W. ROT.



HIGH VOLT. - C.C.W. ROT.



FOR C.W. ROTATION  
EITHER VOLTAGE  
INTERCHANGE RED(T8)  
WITH BLACK(T5) LEAD

NO.	REVISION	BY & DATE	CHK	TOLERANCES UNLESS SPECIFIED		FINISH	DRAWN PGK 07-16-1996			
				DEC.	INCHES					
5	UPDATED TEMPLETE	MVG 12/11/2017	PVR	.X	±.1		CHK MRB 07-18-1996			
4	REV'D CONNECTION TO MATCH ROTATION ISAAC 07-2021	JJB 09/05/2007	ML	.XX	±.02	TITLE CONNECTION DIAGRAM	APPD GK 07-18-1996			
3	ADDED T NO.'S MU16064	MH 08-09-1997		.XXX	±.005		SCALE 5=8			
2	REDRAWN ON CADD, NO CHANGES	PGK 07-18-1996		.XXXX	±.0005	MAT'L.	REF			
				ANG	±7'30"		FMF			
			RFP			CAD FILE 102005_84	PREV			
THIS DRAWING IN DESIGN AND DETAIL IS OUR PROPERTY AND MUST NOT BE USED EXCEPT IN CONNECTION WITH OUR WORK ALL RIGHTS OF DESIGN AND INVENTION ARE RESERVED THIS IS AN ELECTRONICALLY GENERATED DOCUMENT - DO NOT SCALE THIS PRINT							SIZE A	DRAWING NO. 102005-84	PAGE OF	REV. 5









**MARATHON ELECTRIC CORPORATION**  
TYPICAL PERFORMANCE CURVE for AC MOTOR

Customer

Curve at

230 Volts  
60 HZ  
0.33 HP

HP 0.33

PHASE 1

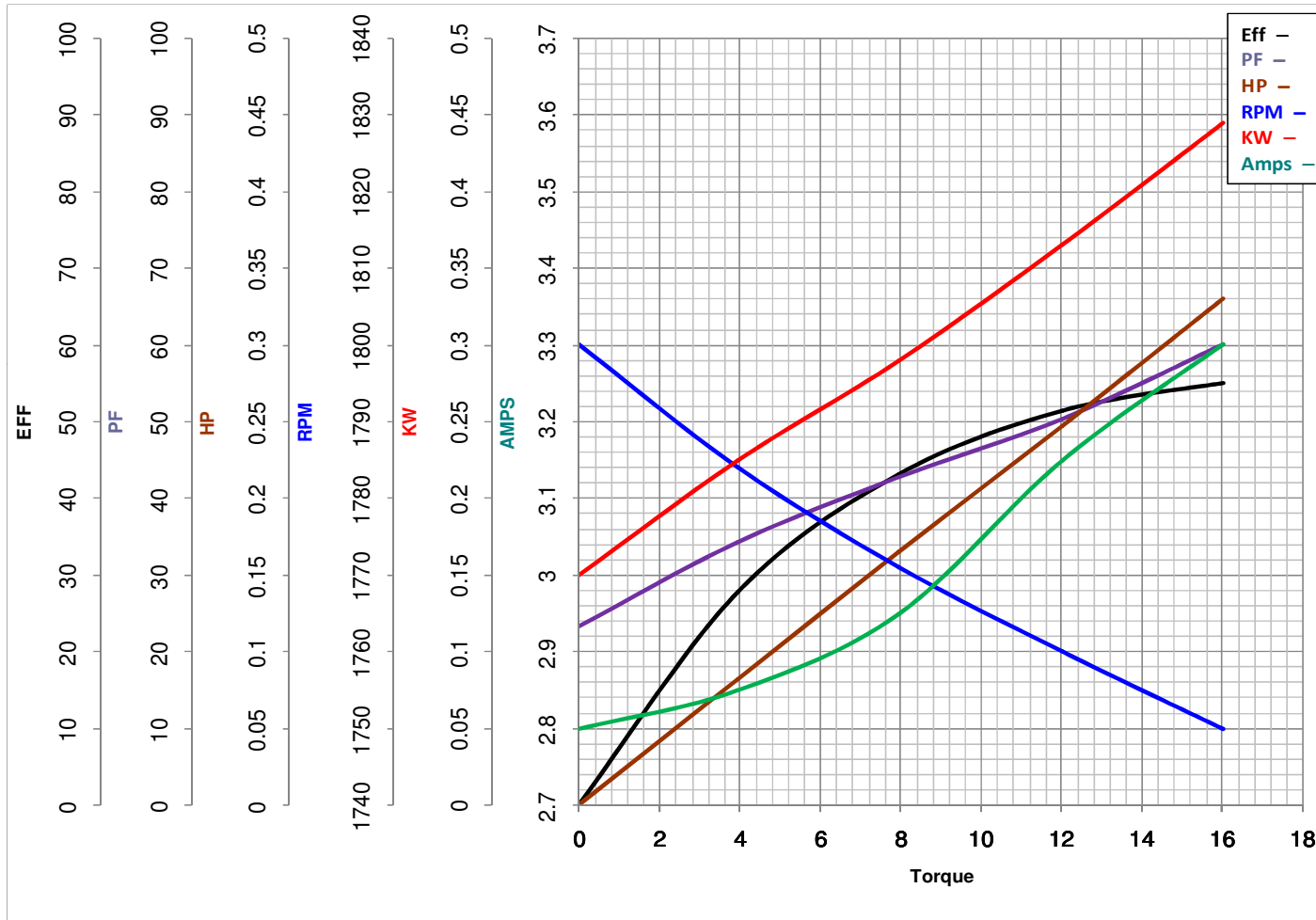
Model No 56C17G5315

VOLTS 115/208-230

Catalog No G651

HZ 60

RPM 1725



Torque in Oz.Ft

FL TORQUE 16 Oz.Ft  
BD TORQUE 44.6 Oz.Ft  
LR TORQUE 55.7 Oz.Ft

FL AMPS 6.6/3.1-3.3  
PU TORQUE 39.9 Oz.Ft  
LR AMPS 16.2

WINDING ZC406-3

Date 1/10/2019