

PRODUCT INFORMATION PACKET

marathon[®]
Motors

Model No: 056T17G5316

Catalog No: G840

Hazardous Duty[®] Explosion Proof Motor, 0.75 HP, 3 Ph, 60 Hz, 230/460 V, 1800 RPM, 56C Frame, EPFC

Operational at 208-230/460 V @60HZ



Regal and Marathon are trademarks of Regal Rexnord Corporation or one of its affiliated companies.
©2023 Regal Rexnord Corporation, All Rights Reserved. MC017097E

RegalRexnord

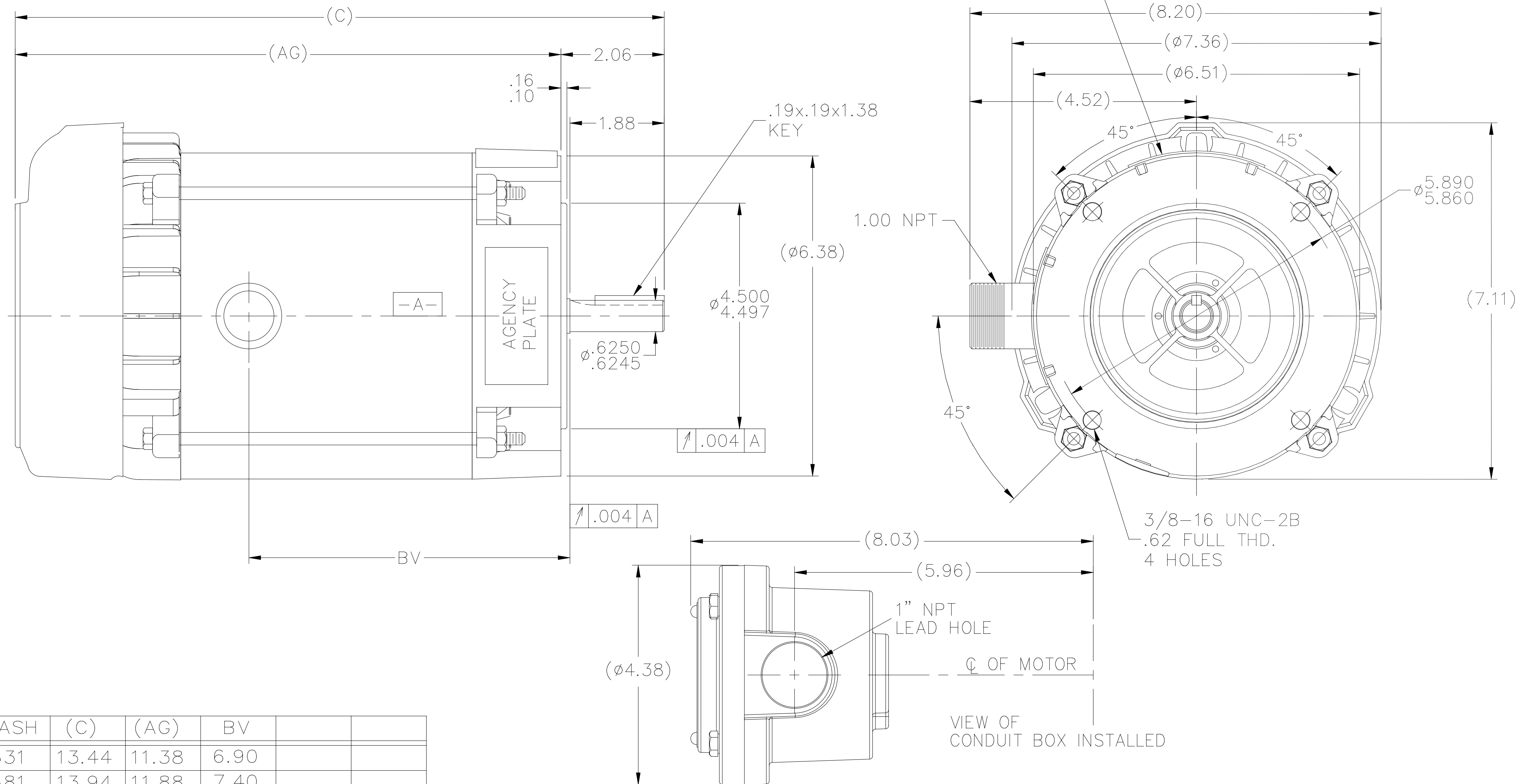
Nameplate Specifications

Phase	3	Output HP	0.75 Hp
Output KW	0.56 kW	Voltage	230/460 V
Speed	1725 rpm	Service Factor	1.0
Frame	56C	Enclosure	Explosion Proof Fan cooled
Thermal Protection	Automatic	Efficiency	75.5 %
Ambient Temperature	40 °C	Frequency	60 Hz
Current	3.0/1.5 A	Power Factor	66.3
Duty	Continuous	Insulation Class	B
Design Code	B	KVA Code	L
Drive End Bearing Size	6203	Opp Drive End Bearing Size	6203
UL	UL Listed And CSA Certified	CSA	Y
CE	N	IP Code	54
Number of Speeds	1	Hazardous Location	DIV 1 EXP PROOF CL I GR CD CL II GR FG T3B

Technical Specifications

Electrical Type	Squirrel Cage Induction Run	Starting Method	Across The Line
Poles	4	Rotation	Reversible
Resistance Main	23.2 Ohms	Mounting	Round
Motor Orientation	Horizontal	Drive End Bearing	Ball
Opp Drive End Bearing	Ball	Frame Material	Rolled Steel
Shaft Type	NEMA 56	Overall Length	13.94 in
Frame Length	6.81 in	Shaft Diameter	0.625 in
Shaft Extension	2.06 in	Assembly/Box Mounting	F1 ONLY
Outline Drawing	B-104188-681	Connection Drawing	A-EE7335

NAMEPLATES TO BE READ FROM SHAFT EXT. END.



DASH	(C)	(AG)	BV		
631	13.44	11.38	6.90		
681	13.94	11.88	7.40		
731	14.44	12.38	7.90		
781	14.94	12.88	8.40		
831	15.44	13.38	8.90		
881	15.94	13.88	9.40		
931	16.44	14.38	9.90		
981	16.94	14.88	10.40		

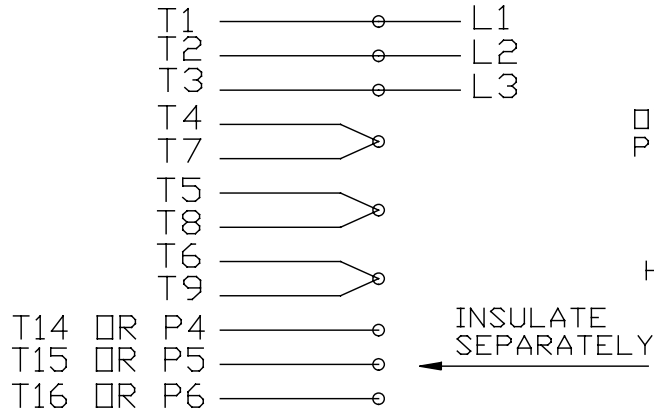
NO.	REVISION	BY & DATE	CHK	ANG	TOLERANCES UNLESS SPECIFIED		FINISH	DRAWN	ML	GK	SCALE	REV.
					DEC.	INCHES						
6		SL 09/15/15										
5	COND. BOX INSTALLED VIEW UPDATED PER ECR-0044571	UD 10/10/13	ST									CHK ML 11-25-1996
4	REVISED C'BOX PER CN40784A	JJB 02/23/2007	ML	.X	±.1							APPD GK 12-02-1996
3	REDRAWN IN AUTOCAD	TAT 06-28-2004	ML	.XX	±.03							SCALE 17=32
2	ADDED CONDUIT BOX VIEW CN 26686	MRB 03-22-1999		.XXX	±.005							REF
1	NEW DRAWING CN 23099	MH 12-02-1996	SM	.XXXX	±.0005							FMF
THIS DRAWING IN DESIGN AND DETAIL IS OUR PROPERTY AND MUST NOT BE USED EXCEPT IN CONNECTION WITH OUR WORK ALL RIGHTS OF DESIGN AND INVENTION ARE RESERVED THIS IS AN ELECTRONICALLY GENERATED DOCUMENT - DO NOT SCALE THIS PRINT			RFP									PREV
								CAD FILE 104188	SIZE B	DRAWING NO. 104188	PAGE OF 6	REV. 6



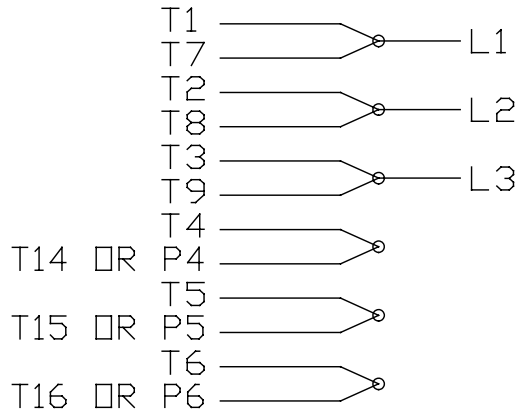
TITLE OUTLINE - 'C' FACE
56C/145TCZ FR - EXP PR.

EE7335

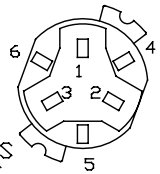
HIGH VOLTAGE CONNECTIONS



LOW VOLTAGE CONNECTIONS



THREE PHASE - DUAL VOLTAGE MOTOR WITH OVERLOAD PROTECTOR

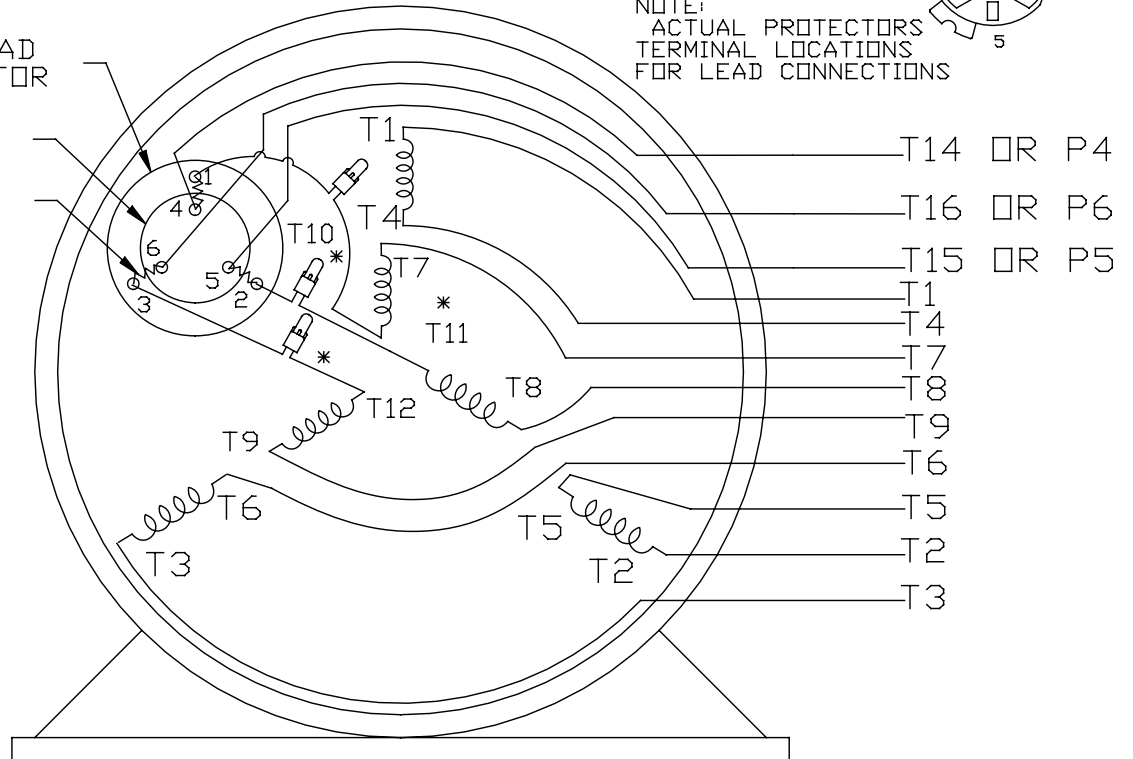


NOTE:
ACTUAL PROTECTORS
TERMINAL LOCATIONS
FOR LEAD CONNECTIONS

OVERLOAD PROTECTOR

DISC

HEATER



VIEW OF TERMINAL END

* USE PRESSURE CONNECTORS FOR MT2 PLANT ONLY

T2K
T4D
T6AN

NO.	REVISION	BY & DATE	CHK	TOLERANCES UNLESS SPECIFIED		FINISH	DRAWN	SCALE	REV.
				DEC.	INCHES				
17	CHANGED LOGO FROM MARATHON TO REGAL	KIR 02/16/16	AB	DEC.	INCHES	Regal Beloit America, Inc.	KL	08-09-1993	17
16	PRESSURE CONNECTORS QUANTITY WAS 6	PVR 10/29/13	GR	.X	±.1		CHK	ML	08/10/1993
15	PRESSURE CONNECTORS ADDED	GR 03/04/13	SR	.XX	±.01	TITLE	CONNECTION DIAGRAM	APPD	GK 08/10/1993
14	ADDED ACTUAL PROECTOR VIEW CN 17481	KL 05/18/94		.XXX	±.005	TITLE	3Ø-DUAL VOLT WITH OVERLOAD PROTECTO	SCALE	1=1
13	REDRAWN IN AUTO CAD	KL 08/11/93		.XXXX	±.0005	MAT'L.		REF	
								PREV	
				RFP	CAD FILE	EE7335	SIZE	DRAWING NO.	
				DIST			A	EE7335	

THIS DRAWING IN DESIGN AND DETAIL IS OUR PROPERTY AND MUST NOT BE USED EXCEPT IN CONNECTION WITH OUR WORK ALL RIGHTS OF DESIGN AND INVENTION ARE RESERVED THIS IS AN ELECTRONICALLY GENERATED DOCUMENT - DO NOT SCALE THIS PRINT

CERTIFICATION DATA SHEET

Model#: 56T17G5316 D
 CONN. DIAGRAM: A-EE7335
 OUTLINE: B-104188-681

WINDING#: ZT411 R11 3
 ASSEMBLY: F1 ONLY

TYPICAL MOTOR PERFORMANCE DATA

HP	KW	SYNC. RPM	F.L. RPM	FRAME	ENCLOSURE	KVA CODE	DESIGN
3/4	.56	1800	1725	56C	EPFC	L	B

PH	Hz	VOLTS	FL AMPS	START TYPE	DUTY	INSL	S.F	AMB°C	ELEVATION
3	60	208-230/460	2.9-3/1.5	ACROSS THE LINE	CONTINUOUS	B3	1.0	40	3300

FULL LOAD EFF: 75.5	3/4 LOAD EFF: 74.5	1/2 LOAD EFF: 71	GTD. EFF	ELEC. TYPE	NO LOAD AMPS
FULL LOAD PF: 66.3	3/4 LOAD PF: 57	1/2 LOAD PF: 45.5	72	SQ CAGE IND RUN	2 / 1

F.L. TORQUE	LOCKED ROTOR AMPS	L.R. TORQUE	B.D. TORQUE	F.L. RISE°C
2.28 LB-FT	18.6 / 9.3	8.2 LB-FT 360	10 LB-FT 439	35

SOUND PRESSURE @ 3 FT.	SOUND POWER	ROTOR WK^2	MAX. WK^2	SAFE STALL TIME	STARTS / HOUR	APPROX. MOTOR WGT
62 dBA	72 dBA	0.07 LB-FT^2	5 LB-FT^2	12 SEC.	2	25 LBS.

*** SUPPLEMENTAL INFORMATION ***

DE BRACKET TYPE	ODE BRACKET TYPE	MOUNT TYPE	ORIENTATION	SEVERE DUTY	HAZARDOUS LOCATION	DRIP COVER	SCREENS	PAINT
C-FACE	STANDARD	ROUND	HORIZONTAL	FALSE	EXP PROOF CL I GR C&D CL II GR F&G T3B	FALSE	NONE	GRAY (POWDER)

BEARINGS		GREASE	SHAFT TYPE	SPECIAL DE	SPECIAL ODE	SHAFT MATERIAL	FRAME MATERIAL
DE	OPE	POLYREX EM	T	NONE	NONE	1144 STRESSPROOF (C-223)	ROLLED STEEL
BALL	BALL						
6203	6203						

THERMO-PROTECTORS				THERMISTORS	CONTROL	SPACE /n HEATERS
THERMOSTATS	PROTECTORS	WDG RTDs	BRG RTDs	NONE	FALSE	NONE VOLTS
NONE	AUTOMATIC	NONE	NONE			

If Inverter equals NONE, contact factory for further information

* N O T E S *

INVERTER TORQUE: NONE
INV. HP SPEED RANGE: NONE
ENCODER: NONE
NONE NONE
NONE NONE PPR
BRAKE: NONE NONE
NONE P/N NONE
NONE NONE
NONE FT-LB NONE V NONE Hz

DATE: 06/29/2017 01:00:25 AM
 FORM 3531 REV.3 02/07/99

** Subject to change without notice.

Data Sheet

Date: 1/2/2019
 Customer: _____
 Attention: _____
 Submitted by: FAREEDA DUDEKULA



56T17G5316

Submittal

Data @ 460 V

Motor Load Data

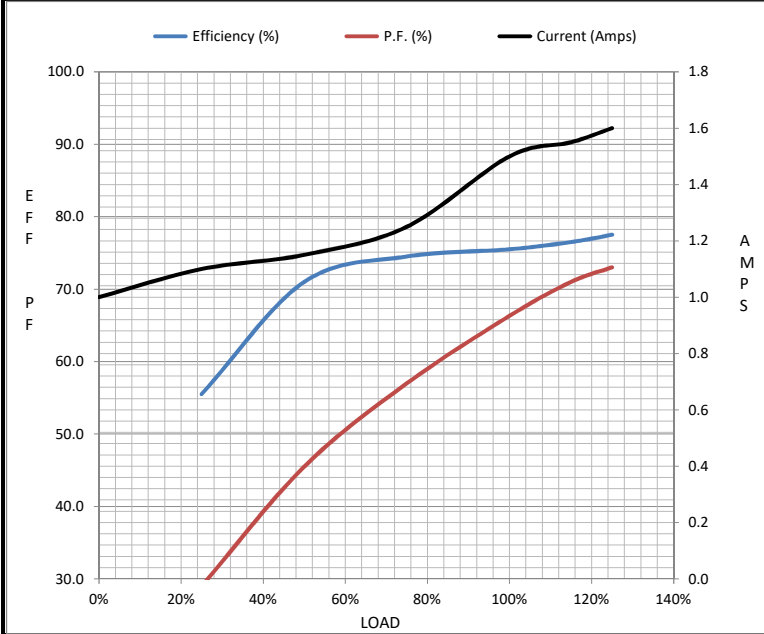
Load	0%	25%	50%	75%	100%	115%	125%	LR
Current (Amps)	1.00	1.10	1.15	1.25	1.50	1.55	1.60	9.3
Torque (ft-lb)	0.00	0.52	1.10	1.70	2.28	2.60	2.80	8.2
RPM	1800	1785	1770	1750	1725	1,722	1720	0
Efficiency (%)		55.5	71.0	74.5	75.5	76.5	77.5	
P.F. (%)	11.5	29.0	45.5	57.0	66.3	71.0	73.0	75.0

Motor Speed Data

	LR	Pull-Up	BD	Rated	Idle
Speed (RPM)	0	750	1230	1725	1800
Current (Amps)	9.3	8.4	6.0	1.50	1.00
Torque (ft-lb)	8.2	7.4	10.0	2.28	0.00

Information Block

HP	0.8			
Sync. RPM	1800			
Frame	56			
Enclosure	EPFC			
Construction	TSE			
Voltage	208-230/460 V			
Frequency	60 Hz			
Design	B			
LR Code letter	L			
Service Factor	1			
Temp Rise @ FL	35 °C			
Duty	CONT			
Ambient	40 °C			
Elevation	3300 feet			
Rotor/Shaft wk ²	0.07 Lb-Ft ²			
Ref Wdg	ZT411 R11			
Sound Pressure @ 1M	62 dBA			
VFD Rating	NONE			
Outline Dwg	B-104188-681			
Conn. Diag	A-EE7335			
Additional Specifications:				
0				
0				
EQUIV CKT (OHMS / PHASE)				
R1	R2	X1	X2	Xm
0.0000	0.0000	0.0000	0.0000	0.0000



Speed - Torque Curve

