

PRODUCT INFORMATION PACKET



Model No: 113938.00
Catalog No: 113938.00
Agricultural Motor, 1.50 HP, 1 Ph, 60 Hz, 115/230 V, 1800 RPM, 56HZ Frame, TEFC

Operational at 115/208-230 V @60HZ



Regal and Leeson are trademarks of Regal Rexnord Corporation or one of its affiliated companies.
©2023 Regal Rexnord Corporation, All Rights Reserved. MC017097E



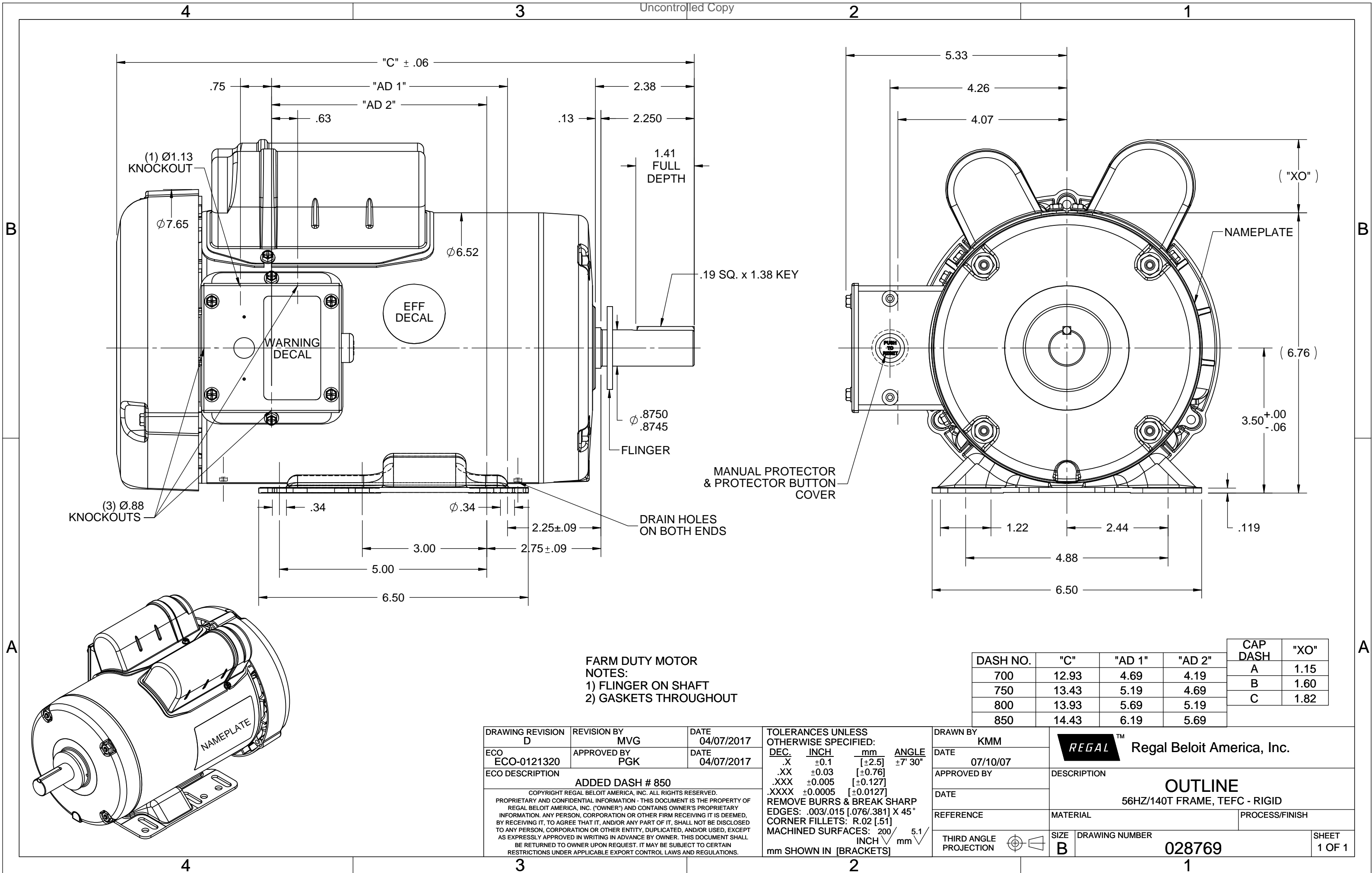


Nameplate Specifications

Phase	1	Output HP	1.50 Hp
Output KW	1.1 kW	Voltage	115/230 V
Speed	1725 rpm	Service Factor	1.15
Frame	56HZ	Enclosure	Totally Enclosed Fan Cooled
Thermal Protection	Manual	Efficiency	79 %
Ambient Temperature	40 °C	Frequency	60 Hz
Current	17.2/8.6 A	Power Factor	73
Duty	Continuous	Insulation Class	F
Design Code	L	KVA Code	J
Drive End Bearing Size	6205	Opp Drive End Bearing Size	6203
UL	Recognized	CSA	Y
CE	N	IP Code	54
Number of Speeds	1		

Technical Specifications

Electrical Type	Capacitor Start Capacitor Run	Starting Method	Across The Line
Poles	4	Rotation	Selective Counterclockwise
Resistance Main	1.4 Ohms	Mounting	Rigid Base
Motor Orientation	Horizontal	Drive End Bearing	Ball
Opp Drive End Bearing	Ball	Frame Material	Rolled Steel
Shaft Type	NEMA 145T	Overall Length	13.43 in
Frame Length	7.50 in	Shaft Diameter	0.875 in
Shaft Extension	2.25 in	Assembly/Box Mounting	F1 ONLY
Outline Drawing	028769-750B	Connection Drawing	005053.02



FARM DUTY MOTOR
 NOTES:
 1) FLINGER ON SHAFT
 2) GASKETS THROUGHOUT

DASH NO.	"C"	"AD 1"	"AD 2"	CAP DASH	"XO"
700	12.93	4.69	4.19	A	1.15
750	13.43	5.19	4.69	B	1.60
800	13.93	5.69	5.19	C	1.82
850	14.43	6.19	5.69		

DRAWING REVISION D	REVISION BY MVG	DATE 04/07/2017
ECO ECO-0121320	APPROVED BY PGK	DATE 04/07/2017
ECO DESCRIPTION ADDED DASH # 850		
<small>COPYRIGHT REGAL BELOIT AMERICA, INC. ALL RIGHTS RESERVED. PROPRIETARY AND CONFIDENTIAL INFORMATION - THIS DOCUMENT IS THE PROPERTY OF REGAL BELOIT AMERICA, INC. ("OWNER") AND CONTAINS OWNER'S PROPRIETARY INFORMATION. ANY PERSON, CORPORATION OR OTHER FIRM RECEIVING IT IS DEEMED, BY RECEIVING IT, TO AGREE THAT IT, AND/OR ANY PART OF IT, SHALL NOT BE DISCLOSED TO ANY PERSON, CORPORATION OR OTHER ENTITY, DUPLICATED, AND/OR USED, EXCEPT AS EXPRESSLY APPROVED IN WRITING IN ADVANCE BY OWNER. THIS DOCUMENT SHALL BE RETURNED TO OWNER UPON REQUEST. IT MAY BE SUBJECT TO CERTAIN RESTRICTIONS UNDER APPLICABLE EXPORT CONTROL LAWS AND REGULATIONS.</small>		

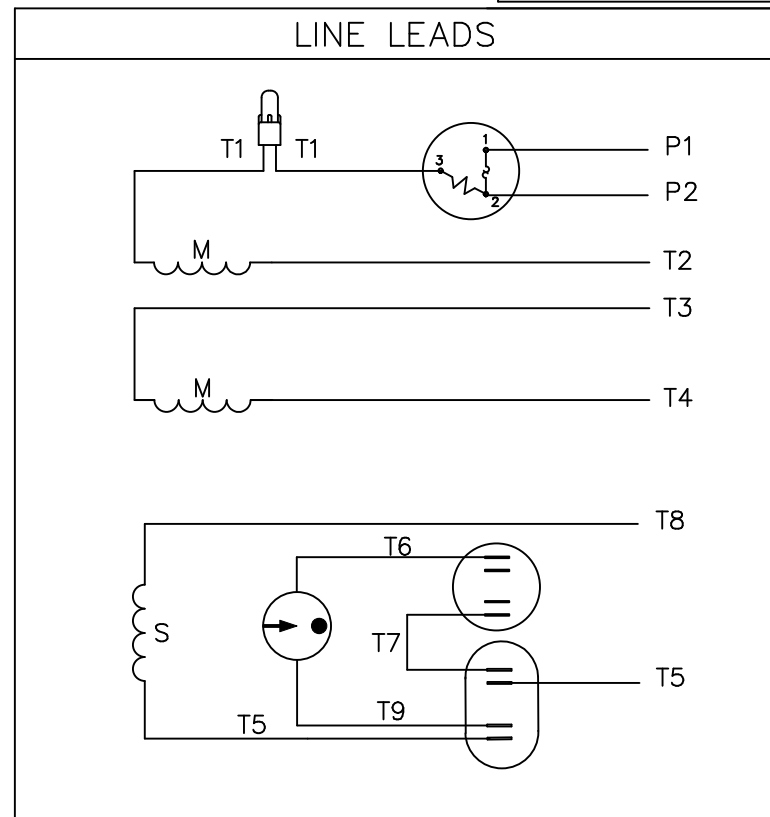
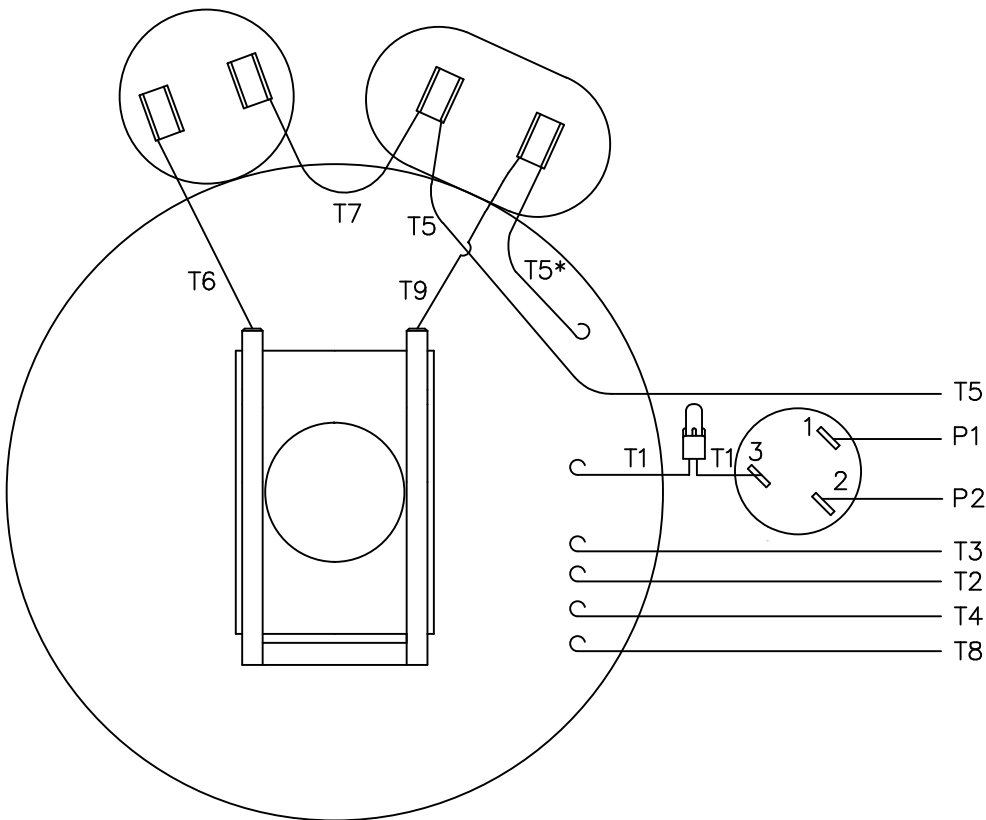
TOLERANCES UNLESS OTHERWISE SPECIFIED:

DEC.	INCH	mm	ANGLE
.X	±0.1	[±2.5]	±7' 30"
.XX	±0.03	[±0.76]	
.XXX	±0.005	[±0.127]	
.XXXX	±0.0005	[±0.0127]	

REMOVE BURRS & BREAK SHARP EDGES: .003/.015 [0.076/.381] X 45°
 CORNER FILLETS: R.02 [51]
 MACHINED SURFACES: 200 INCH 5.1 mm

DRAWN BY KMM	REGAL™ Regal Beloit America, Inc.	
DATE 07/10/07	DESCRIPTION OUTLINE	
APPROVED BY	MATERIAL	PROCESS/FINISH
DATE	56HZ/140T FRAME, TEFC - RIGID	
REFERENCE	SIZE B	DRAWING NUMBER 028769
THIRD ANGLE PROJECTION		SHEET 1 OF 1

VIEW FROM OUTSIDE OF MOTOR AT SWITCH END.



	ROTATION FACING LEAD END	L1	L2	JOIN	INSULATE SEPARATELY
HIGH VOLT	C.C.W.	P1	T4 T5	T2,T3 T8	P2
	C.W.	P1	T4 T8	T2,T3 T5	P2
LOW VOLT	C.C.W.	P1	T2,T4 T5	P2,T3 T8	-----
	C.W.	P1	T2,T4 T8	P2,T3 T5	-----

* THIS LEAD MAY BE WHITE

		TOLERANCES UNLESS SPECIFIED	
		DEC.	INCHES
		.X	±.1
		.XX	±.01
04	ADDED "*" TO T5	RLW 7/22/02	.XXX ±.005
03	REDRAWN ON CAD	DBT 05/27/97	.XXXX ±.0005
NO.	REVISION	BY & DATE	CHK ANG ±1/2"

		DRAWN	ADH 06/16/76
		CHK	WRK 06/30/76
TITLE		EXTERNAL WIRING DIAGRAM	
		TYPE "K" W/PROTECTOR	
MAT'L.		DECAL 004011	
FINISH		PREV	

THIS DRAWING IN DESIGN AND DETAIL IS OUR PROPERTY AND MUST NOT BE USED EXCEPT IN CONNECTION WITH OUR WORK ALL RIGHTS OF DESIGN AND INVENTION ARE RESERVED THIS IS AN ELECTRONICALLY GENERATED DOCUMENT - DO NOT SCALE THIS PRINT		RFP	CAD FILE	00505302	SIZE	DRAWING NO.	REV.
		DIST			A	005053-02	04



CERTIFICATION DATA SHEET

**1051 CHEYENNE AVE.
GRAFTON, WI 53024
PH. 262-377-8810**

CONN. DIAGRAM: 005053.02

CATALOG #: 113938.00

OUTLINE: 028769-750B

MOUNTING: F1 ONLY

WINDING #: K634278 FR 3 I

TYPICAL MOTOR PERFORMANCE DATA

HP	kW	SYNC. RPM	F.L. RPM	FRAME	ENCLOSURE	KVA CODE	DESIGN
1 1/2	1.12	1800	1725	56HZ	TEFC	J	L

PH	Hz	VOLTS	AMPS	START TYPE	DUTY	INSL	S.F.	AMB°C
1	60	115/208-230	17.2/8.8-8.6	ACROSS THE LINE	CONTINUOUS	F4	1.15	40

FULL LOAD EFF:	79	3/4 LOAD EFF:	78.7	1/2 LOAD EFF:	75.8	GTD. EFF		ELEC. TYPE	
FULL LOAD PF:	73	3/4 LOAD PF:	65.8	1/2 LOAD PF:	53.2	75.5	CAP START CAP RUN		

F.L. TORQUE	LOCKED ROTOR AMPS	L.R. TORQUE	B.D. TORQUE	F.L. RISE°C
4.48 LB-FT	102 / 51	13 LB-FT 290 %	10.8 LB-FT 241 %	84

SOUND PRESSURE @ 3 FT.	SOUND POWER	ROTOR WK^2	MAX. WK^2	SAFE STALL TIME	STARTS / HOUR	APPROX. MOTOR WGT
0 dBA	10 dBA	0.14 LB-FT^2	0 LB-FT^2	10 SEC.	0	42 LBS.

***** SUPPLEMENTAL INFORMATION *****

DE BRACKET TYPE	ODE BRACKET TYPE	MOUNT TYPE	ORIENTATION	SEVERE DUTY	HAZARDOUS LOCATION	DRIP COVER	SCREENS	PAINT
STANDARD	STANDARD	RIGID	HORIZONTAL	FALSE	NONE	FALSE	NONE	RED (ENAMEL)

BEARINGS		GREASE	SHAFT TYPE	SPECIAL DE	SPECIAL ODE	SHAFT MATERIAL	FRAME MATERIAL
DE	ODE						
BALL	BALL	POLYREX EM	SGL SPL EXT	SPECIAL	NONE	1144 STRESSPROOF (C-223)	ROLLED STEEL
6205	6203						

THERMO-PROTECTORS				THERMISTORS	CONTROL	SPACE HEATERS
THERMOSTATS	PROTECTORS	WDG RTDs	BRG RTDs			
NONE	MANUAL	NONE	NONE	NONE	FALSE	NONE VOLTS

*
N
O
T
E
S

INVERTER TORQUE: NONE
INV. HP SPEED RANGE: NONE
ENCODER: NONE
NONE NONE
NONE NONE PPR
BRAKE: NONE NONE
NONE P/N NONE
NONE NONE
NONE FT-LB NONE V NONE HZ



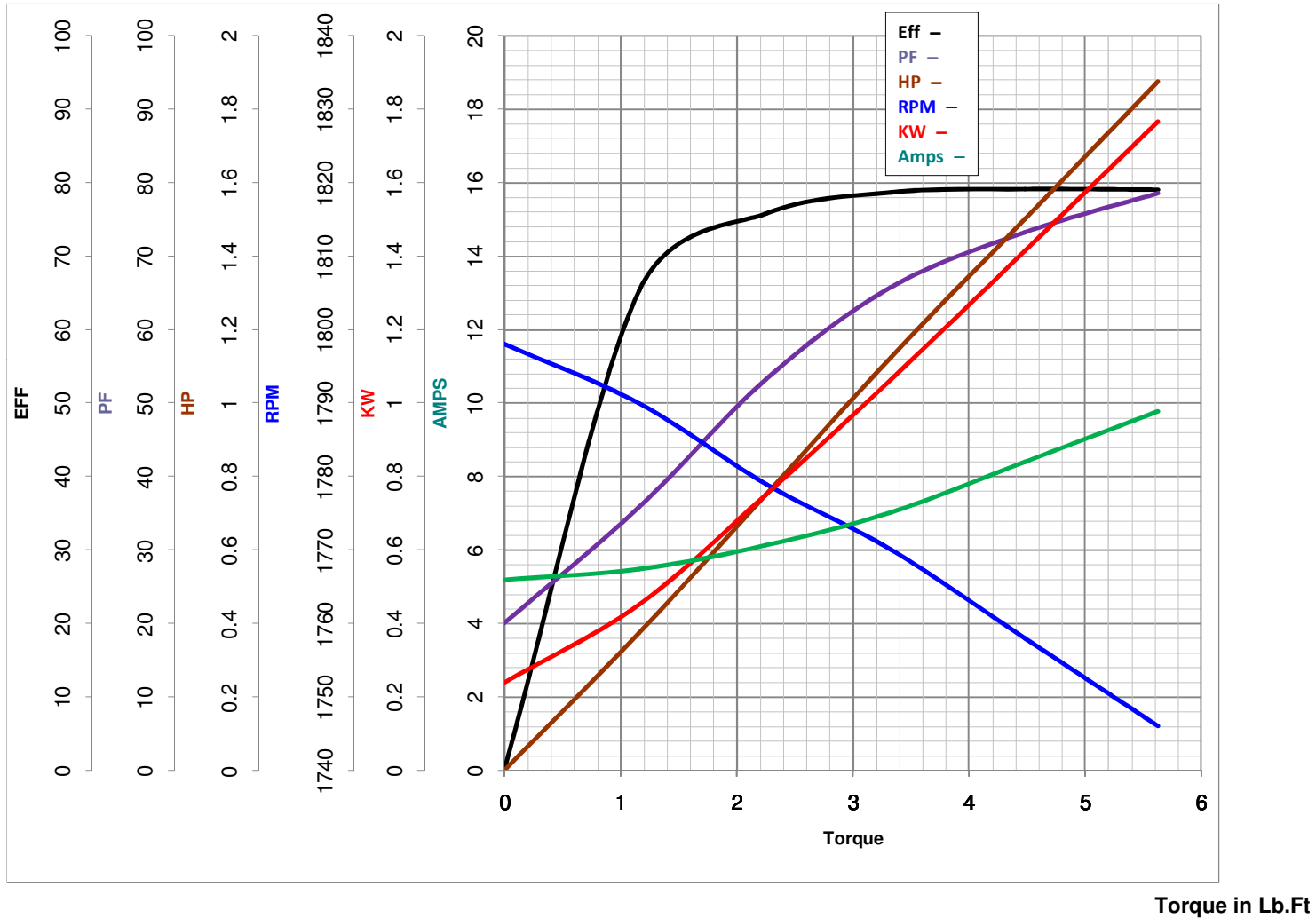
LEESON ELECTRIC CORPORATION
 TYPICAL PERFORMANCE CURVE for AC MOTOR

Model No 113938.00

Curve at 230 Volts HP 1.50 PHASE 1
60 HZ
1.5 HP VOLTS 115/208-230

Catalog No 113938.00

HZ 60 RPM 1725



FL TORQUE 4.48 Lb.Ft
 BD TORQUE 10.8 Lb.Ft
 LR TORQUE 13 Lb.Ft

FL AMPS 17.2/8.8-8.6
 PU TORQUE 9.3 Lb.Ft
 LR AMPS 51

WINDING K634278-3

Date 3/23/2018