

PRODUCT INFORMATION PACKET

Model No: 118054.00

Catalog No: 118054.00

Explosion Proof Motor, 0.33 HP, 12 V, 1750 RPM, S56C Frame, TENV



Regal and are trademarks of Regal Rexnord Corporation or one of its affiliated companies.
©2022 Regal Rexnord Corporation, All Rights Reserved. MC017097E

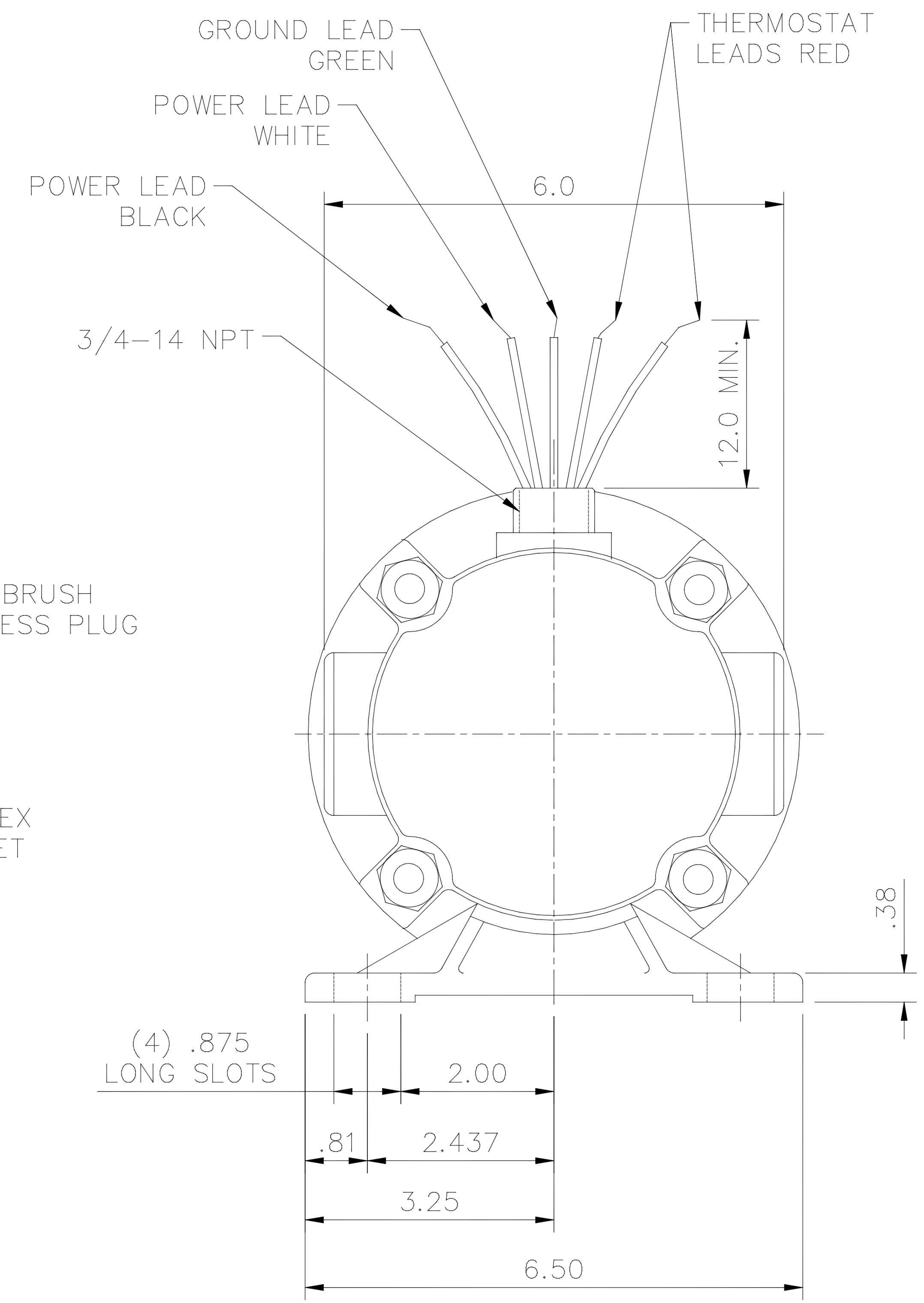
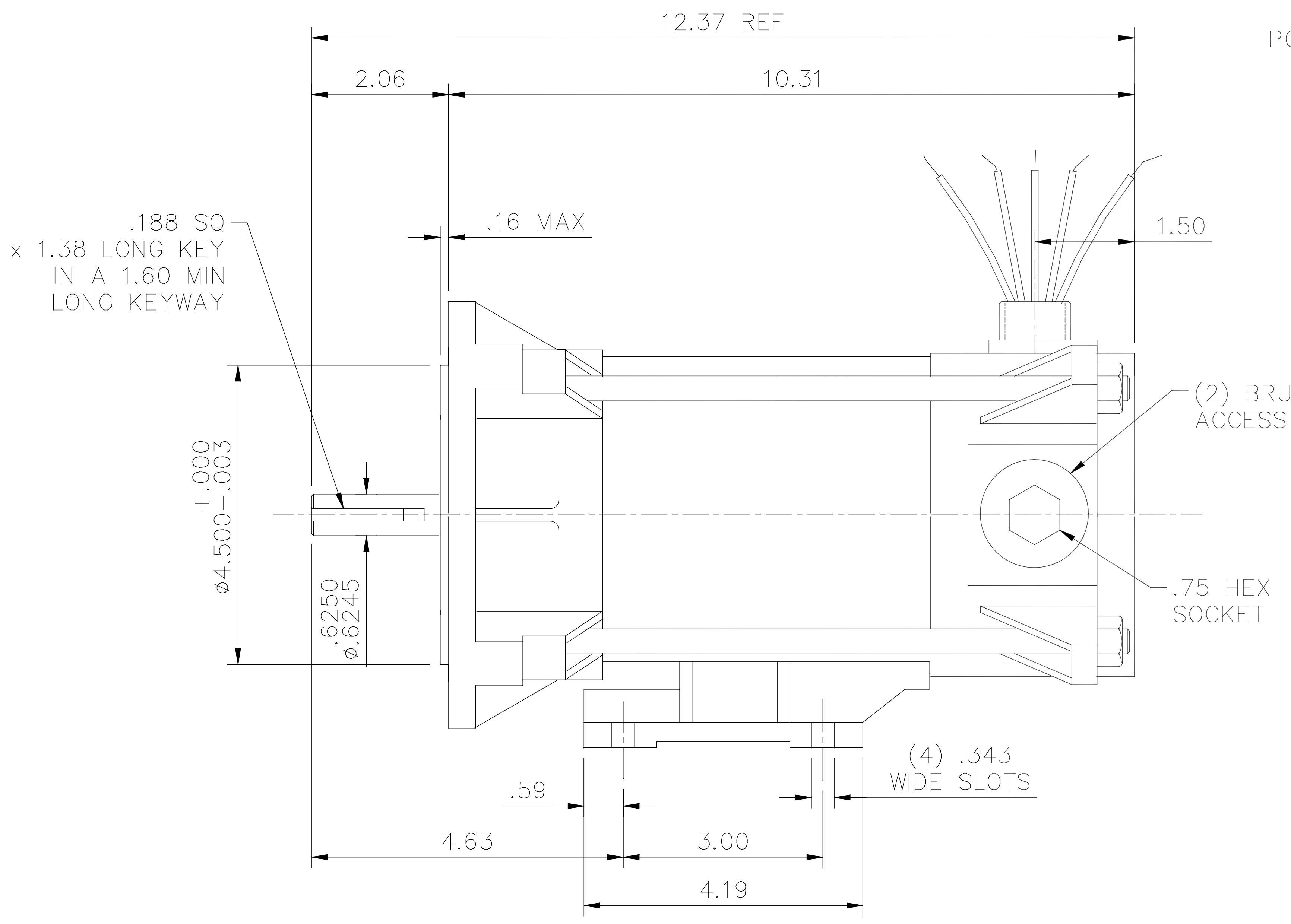
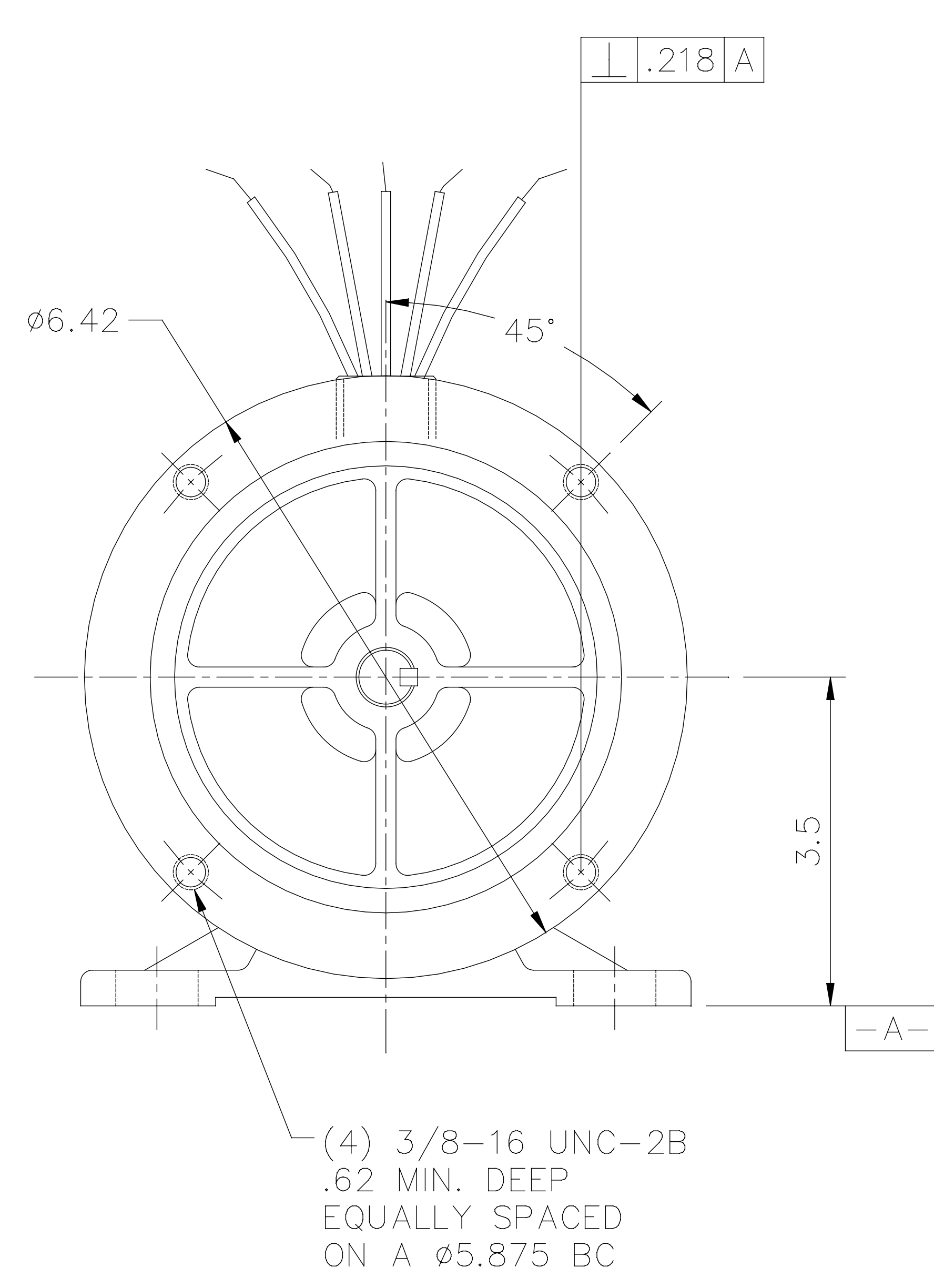
Nameplate Specifications

Output HP	0.33 Hp	Output KW	0.25 kW
Voltage	12 V	Current	28.0 A
Speed	1750 rpm	Service Factor	1
Efficiency	78 %	Duty	Continuous
Insulation Class	H	Frame	S56C
Enclosure	Totally Enclosed Non Ventilated	Thermal Protection	No Protection
Ambient Temperature	40 °C	Drive End Bearing Size	6203
Opp Drive End Bearing Size	6203	UL	Recognized
CSA	Y	CE	N

Technical Specifications

Rotation	Reversible	Mounting	Rigid C base
Overall Length	12.37 in	Shaft Diameter	0.625 in
Shaft Extension	2.06 in	Torque	12 LB-IN
Outline Drawing	612-0195-000		

This is an uncontrolled document once printed or downloaded and is subject to change without notice. Date Created:09/19/2022



VOLTAGE	12 VDC
HORSEPOWER	1/3
RPM	1750
AMPERES	28
CONTINUOUS DUTY	
PERMANENT MAGNET FIELD	
CLASS H INSULATION	
BALL BEARINGS	

NOTES:
 1) ALL DIMENSIONS REFERENCE UNLESS TOLERANCED.
 2) UL LISTED (E56538) AND CSA CERTIFIED (LR43478).

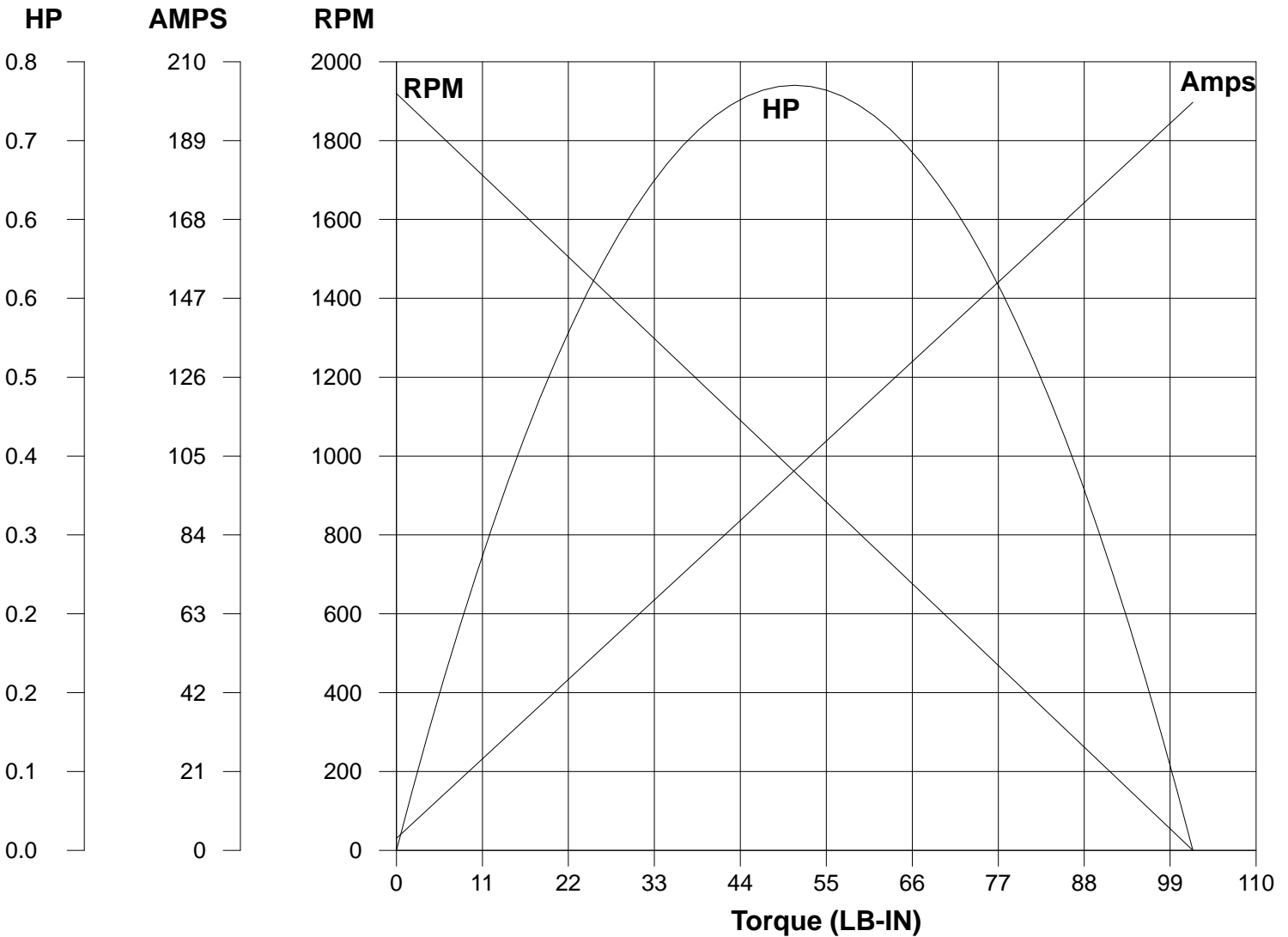
ITEM No.	ITEM REV
-000	0

		TOLERANCES UNLESS SPECIFIED		LEESON ELECTRIC MOTORS GEARMOTORS AND DRIVES		DRAWN IPG 10/22/15	
		DEC.	INCHES	TITLE		CHK	
		.X	$\pm .1$	OUTLINE		APPD	
		.XX	$\pm .03$	EXPLOSION PROOF DC MOTOR		SCALE 3=8	
		.XXX	$\pm .005$	MATERIAL		REF 034446	
A	RELEASED, ECO-0086281	IPG	10/22/15	.XXXX	$\pm .0005$	FMF 118054.00	
NO.	REVISION	BY & DATE	CHK	ANG	FINISH	SIZE	DRAWING NO.
			RFP		CAD FILE 612-0195	B	612-0195
THIS DRAWING IN DESIGN AND DETAIL IS OUR PROPERTY AND MUST NOT BE USED EXCEPT IN CONNECTION WITH OUR WORK ALL RIGHTS OF DESIGN AND INVENTION ARE RESERVED THIS IS AN ELECTRONICALLY GENERATED DOCUMENT - DO NOT SCALE THIS PRINT			DIST				REV. A

LEESON ELECTRIC CORPORATION

TYPICAL PERFORMANCE CURVE FOR DIRECT CURRENT PERMANENT MAGNET MOTOR

Model No. C6D17EK6 **Catalog No.** 118054
HP 0.330 **RPM** 1750 **DC Volts** 12.0 **N.P. FLA** 28.00
F.F. 1.00 **Encl** TENV **Type** DE **S.F.** 1.00
Max. Amb. 40.0 Deg C **Insul.** H **Frame** S56C **Duty** CONT



Ra 0.06000 Ohms
La 0.2100 mHenrys
Ja 4.800 LB-IN²
Ke 0 V/KRPM

Kt 0 LB-IN/AMP
Imax 296.3 AMPS Allowed
FL Torque 12.00 LB-IN
FL EFF 0.00 %

Winding W- PS10-1 **Prepared by** V. Boehlen **Date** 02-04-2020