

PRODUCT INFORMATION PACKET

Model No: 128001.00
Catalog No: 128001.00
SCR Motor, 2 HP, 180 V, 1750 RPM, KS182TC Frame, TEFC



Regal and are trademarks of Regal Rexnord Corporation or one of its affiliated companies.
©2022 Regal Rexnord Corporation, All Rights Reserved. MC017097E

Nameplate Specifications

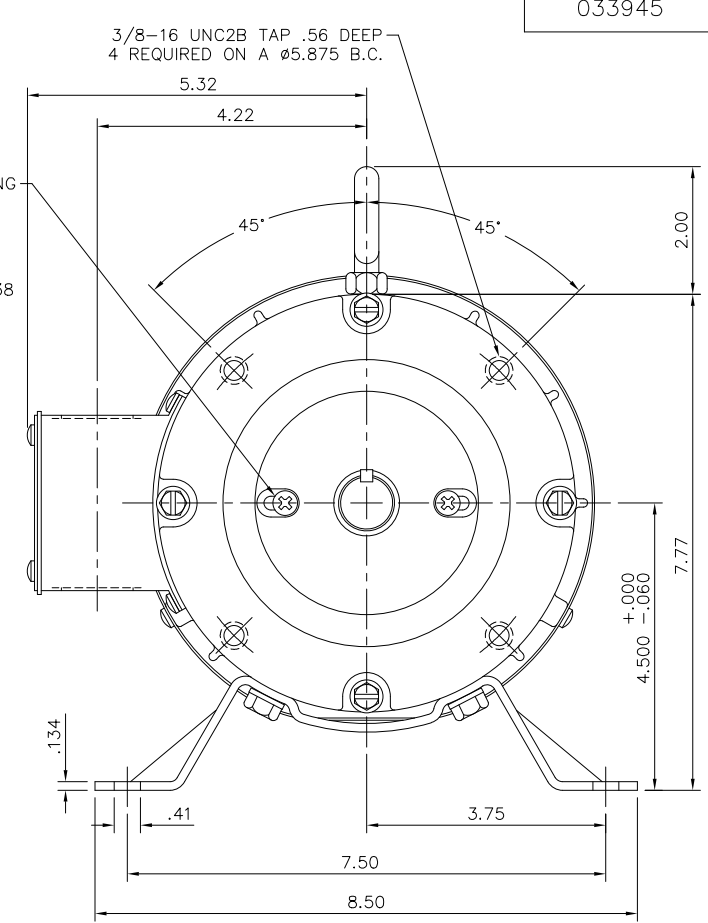
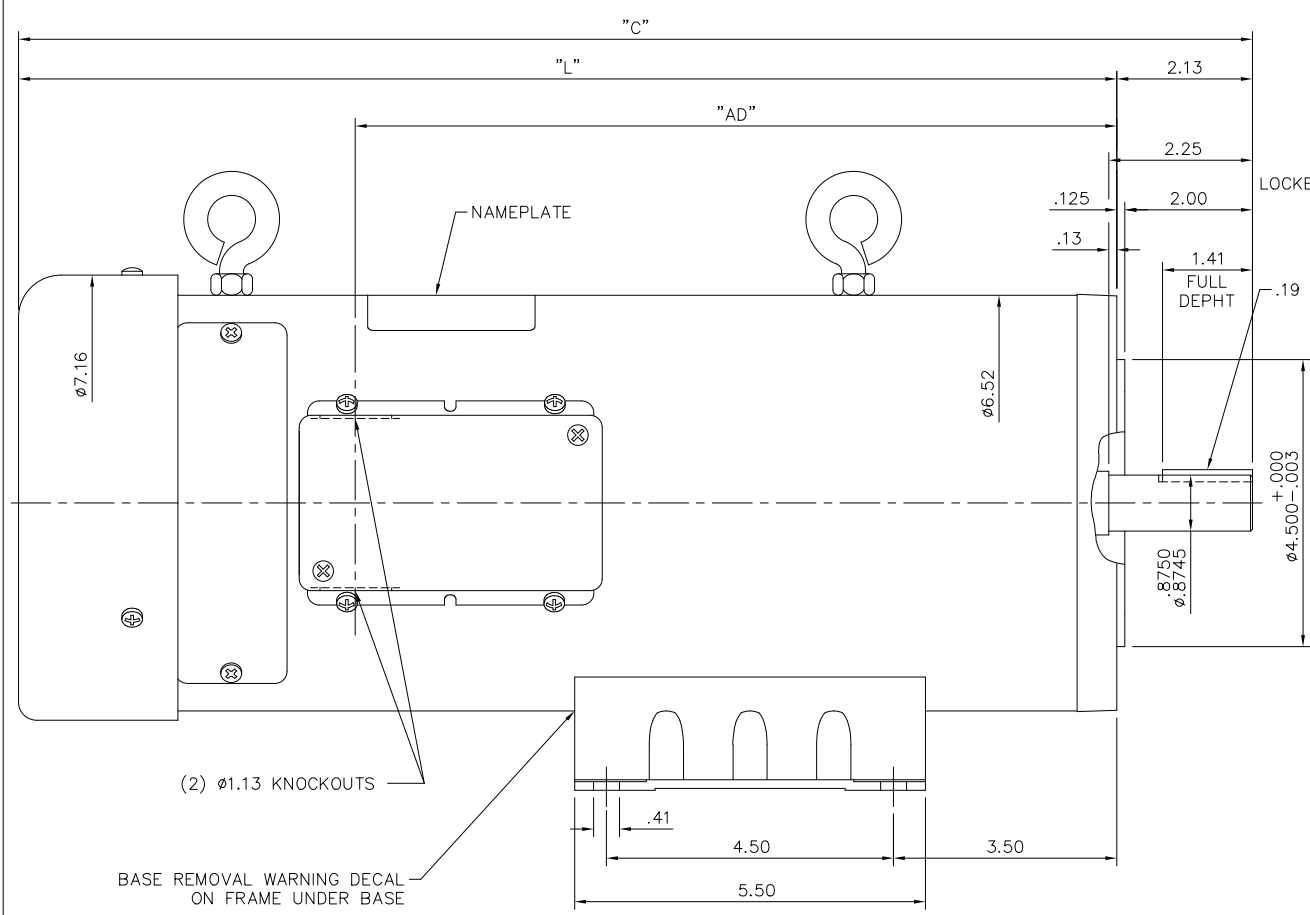
Output HP	2 Hp	Output KW	1.5 kW
Voltage	180 V	Current	9.5 A
Speed	1750 rpm	Service Factor	1
Efficiency	78.8 %	Duty	Continuous
Insulation Class	H	Frame	KS182TC
Enclosure	Totally Enclosed Fan Cooled	Thermal Protection	No Protection
Ambient Temperature	40 °C	Drive End Bearing Size	6205
Opp Drive End Bearing Size	6203	UL	Recognized
CSA	Y	CE	N

Technical Specifications

Rotation	Reversible	Mounting	Rigid C base
Overall Length	19.34 in	Frame Length	14.63 in
Shaft Diameter	0.875 in	Shaft Extension	2.13 in
Torque	72 LB-IN		
Connection Drawing	00531901	Outline Drawing	033945-KS180

This is an uncontrolled document once printed or downloaded and is subject to change without notice. Date Created:09/19/2022

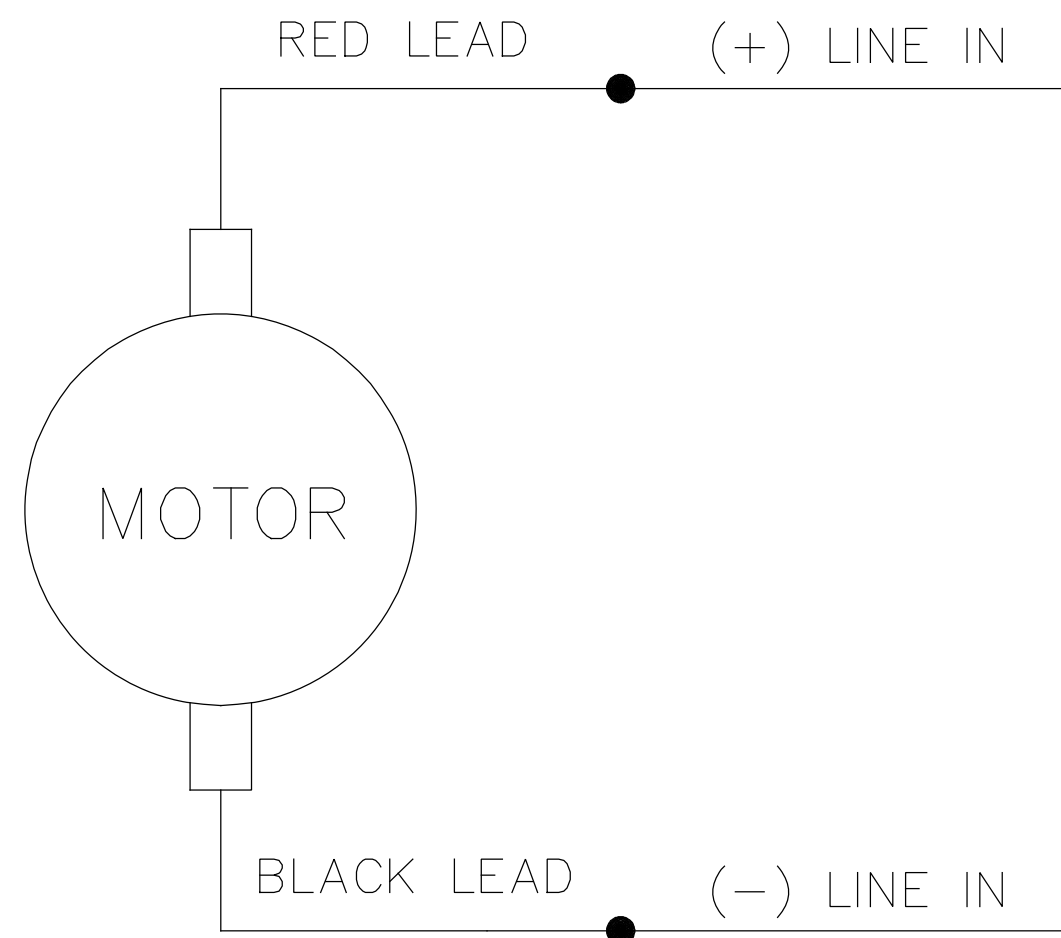
033945



- NOTES:
1. MAXIMUM FACE RUNOUT TO BE .004 T.I.R.
 2. MAXIMUM PILOT ECCENTRICITY .004 T.I.R
 3. PERMISSIBLE SHAFT RUNOUT .002 T.I.R.
 4. GASKETS THROUGHOUT.

JS180	18.84	16.72	11.44	TS180	22.34	20.22	14.94
HS180	18.34	16.22	10.94	RS180	21.84	19.72	14.44
GS180	17.84	15.72	10.44	PS180	21.34	19.22	13.94
FS180	17.34	15.22	9.94	NS180	20.84	18.72	13.44
ES180	16.84	14.72	9.44	MS180	20.34	18.22	12.94
DS180	16.34	14.22	8.94	LS180	19.84	17.72	12.44
CS180	15.84	13.72	8.44	KS180	19.34	17.22	11.94
FRAME	"C"	"L"	"AD"	FRAME	"C"	"L"	"AD"

		TOLERANCES UNLESS SPECIFIED		LEESON		ELECTRIC MOTORS GEARMOTORS AND DRIVES		DRAWN PG 7/9/91	
		DEC.	INCHES					CHK	
		.X	±.1					APPD JCW 9/12/91	
		.XX	±.03	TITLE		OUTLINE - 56 FRAME DC 140TC FACE AND 182 RIGID BASE		SCALE 1=2	
		.XXX	±.005	MAT'L		TEFC- PMDC MOTOR		REF 033477	
C		.XXXX	±.0005	FINISH		STANDARD		FMM C182D17FK3	
NO.	REVISION	BY & DATE	CHK	ANG	±1/2"	PREV		RFP	
CHANGED TO MYLAR NAMEPLATE, ECR-0217466		IPG 5/3/22				CAD FILE 033945		SIZE B DRAWING NO. 033945	
THIS DRAWING IN DESIGN AND DETAIL IS OUR PROPERTY AND MUST NOT BE USED EXCEPT IN CONNECTION WITH OUR WORK ALL RIGHTS OF DESIGN AND INVENTION ARE RESERVED THIS IS AN ELECTRONICALLY GENERATED DOCUMENT - DO NOT SCALE THIS PRINT				DIST				REV. C	



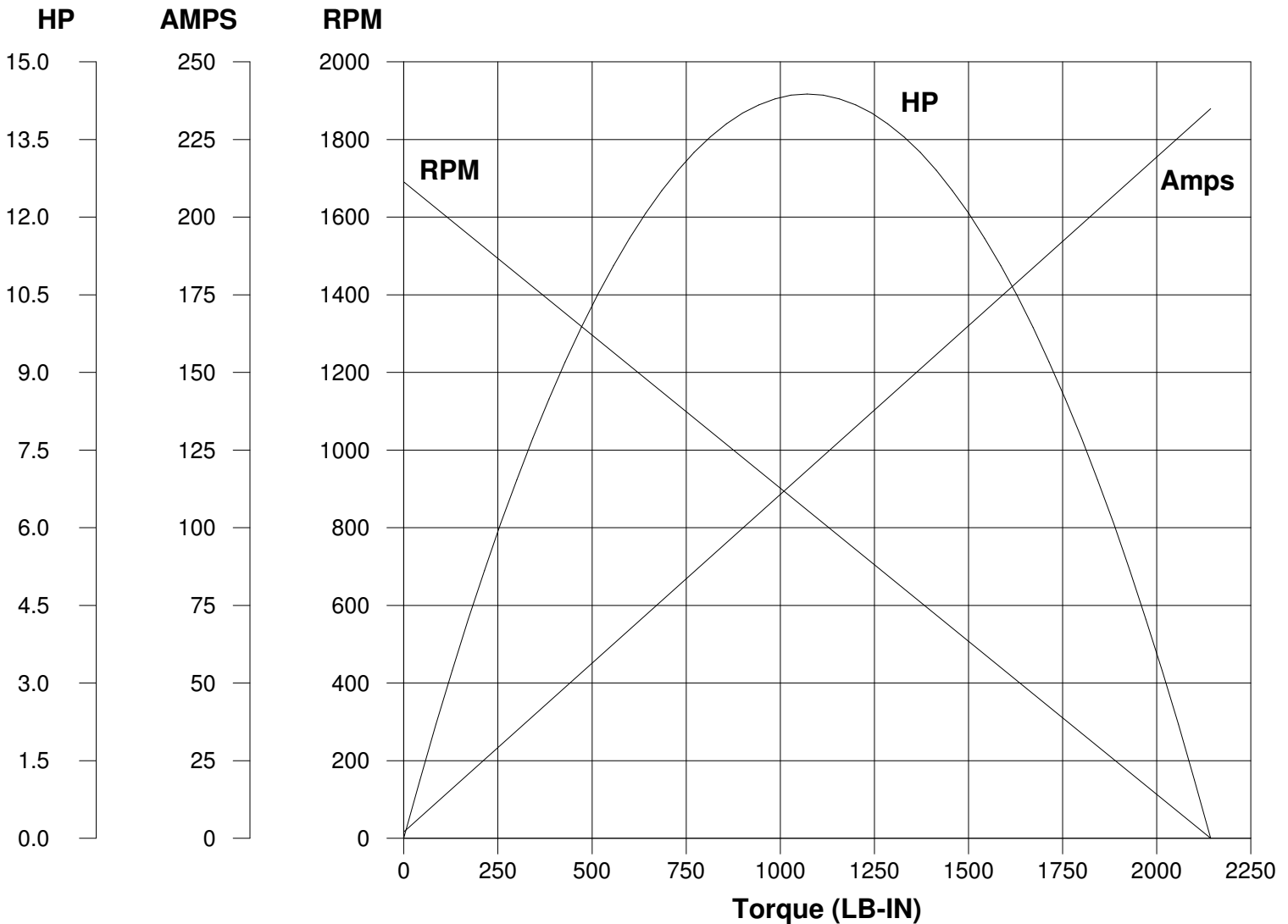
CONNECTIONS SHOWN FOR CCW ROTATION FACING LEAD END OF THE MOTOR
 TO REVERSE ROTATION INTERCHANGE LINE LEADS

NO.	REVISION	BY & DATE	CHK	TOLERANCES UNLESS SPECIFIED		LEESON	ELECTRIC MOTORS GEARMOTORS AND DRIVES	DRAWN TJF 11/15/97	
				DEC.	INCHES				CHK
				.X	±.1			APPD POW 11/15/97	
E	"MOTOR" WAS "ARMATURE", ECO-0163602	IPG 3/14/19		.XX	±.01	TITLE	EXTERNAL WIRING DIAGRAM PMDC MOTOR	SCALE 1=2	
D	UPDATED TO MAKE IT GENERIC, ECO-0163547	IPG 3/13/19		.XXX	±.005			REF	
01	REDRAWN ON CAD. REVISED NOTES.	SJB 9/20/2005		.XXXX	±.0005	MAT'L.		FMF	
				ANG	±1/2°	FINISH		PREV	
THIS DRAWING IN DESIGN AND DETAIL IS OUR PROPERTY AND MUST NOT BE USED EXCEPT IN CONNECTION WITH OUR WORK ALL RIGHTS OF DESIGN AND INVENTION ARE RESERVED THIS IS AN ELECTRONICALLY GENERATED DOCUMENT - DO NOT SCALE THIS PRINT				RFP	CAD FILE 00531901		SIZE A	DRAWING NO. 005319.01	REV. E
				DIST					

LEESON ELECTRIC CORPORATION

TYPICAL PERFORMANCE CURVE FOR DIRECT CURRENT PERMANENT MAGNET MOTOR

Model No. <u>C182D17FK3</u>	Catalog No. <u>128001.00</u>	
HP <u>2.000</u>	RPM <u>1750</u>	DC Volts <u>180.0</u>
F.F. <u>1.40</u>	Encl <u>TEFC</u>	Type <u>DF</u>
Max. Amb. <u>40.0 Deg C</u>	Insul. <u>H</u>	Frame <u>KS182BC</u>
		N.P. FLA <u>9.50</u>
		S.F. <u>1.00</u>
		Duty <u>CONT</u>



Ra <u>0.5000</u> Ohms
La <u>10.80</u> mHenrys
Ja <u>18.13</u> LB-IN ²
Ke <u>107.2</u> V/KRPM

Kt <u>9.061</u> LB-IN/AMP
Imax <u>82.9</u> AMPS Allowed
FL Torque <u>72.00</u> LB-IN
FL EFF <u>78.80</u> %

Winding W- D6322-1 **Prepared by** V. Boehlen **Date** 05-02-2005