

PRODUCT INFORMATION PACKET

Model No: 215TBDW7362

Catalog No: Z126

Fan and Blower Motor, 10 HP, 1 Ph, 60 Hz, 230 V, 1800 RPM, 215TZ Frame, DP



Regal and Marathon are trademarks of Regal Rexnord Corporation or one of its affiliated companies.
©2022 Regal Rexnord Corporation, All Rights Reserved. MC017097E



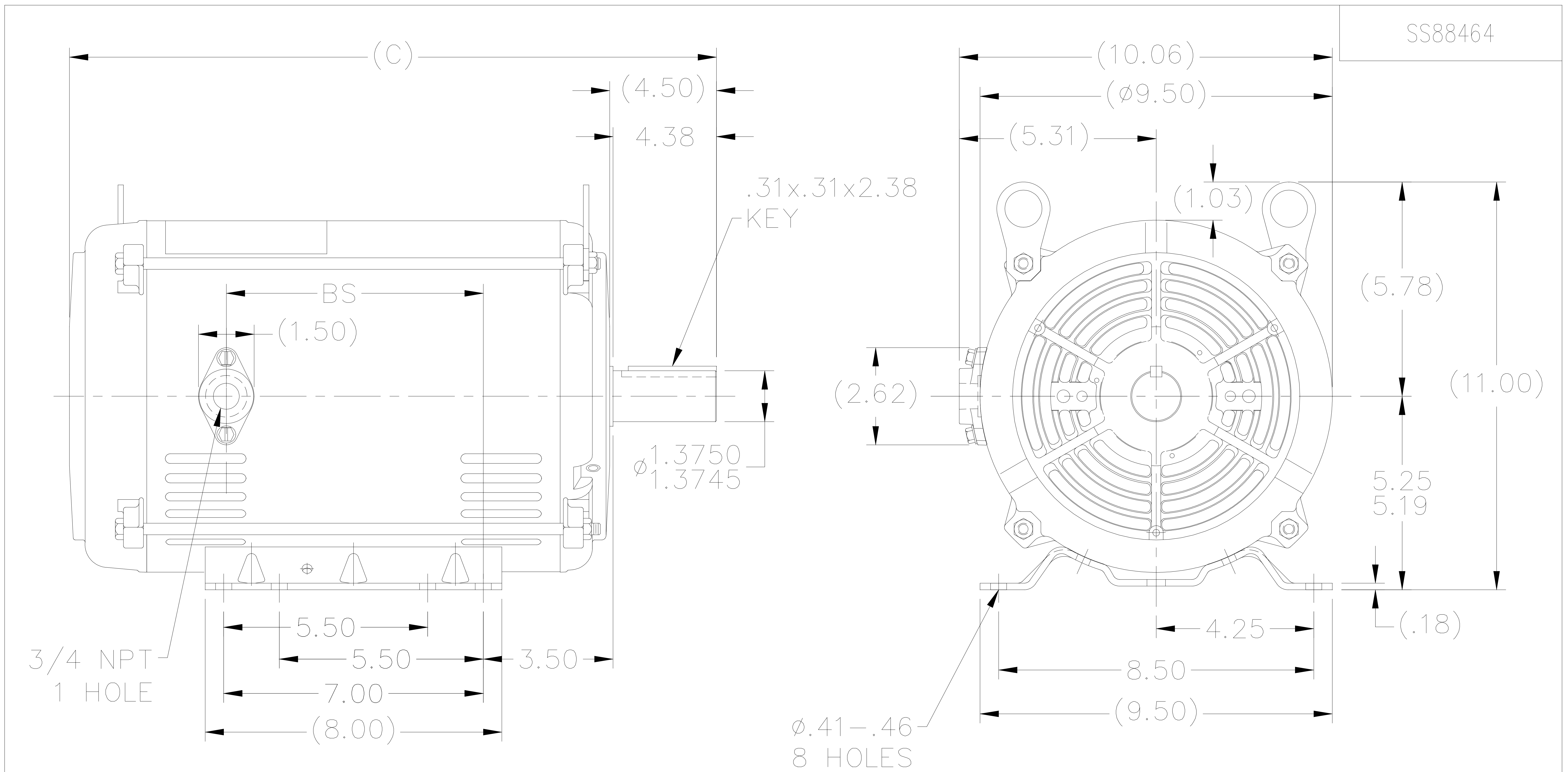
Nameplate Specifications

Output HP	10 Hp	Output KW	7.5 kW
Frequency	60 Hz	Voltage	230 V
Current	44.0 A	Speed	1730 rpm
Service Factor	1.15	Phase	1
Efficiency	82.5 %	Power Factor	89
Duty	Continuous	Insulation Class	F
Design Code	L	KVA Code	G
Frame	215TZ	Enclosure	Drip Proof
Thermal Protection	No Protection	Ambient Temperature	40 °C
Drive End Bearing Size	6307	Opp Drive End Bearing Size	6206
UL	Recognized	CSA	Y
CE	Y	IP Code	22
Number of Speeds	1		

Technical Specifications

Electrical Type	Capacitor Start Capacitor Run	Starting Method	Across The Line
Poles	4	Rotation	Selective Counterclockwise
Resistance Main	0 Ohms	Mounting	Rigid Base
Motor Orientation	Horizontal	Drive End Bearing	Ball
Opp Drive End Bearing	Ball	Frame Material	Rolled Steel
Shaft Type	Single Special Extension	Overall Length	18.70 in
Frame Length	12.40 in	Shaft Diameter	1.125 in
Shaft Extension	2.88 in	Assembly/Box Mounting	F1 Only
Outline Drawing	A-SS88464-1240	Connection Drawing	A-EE9048LP

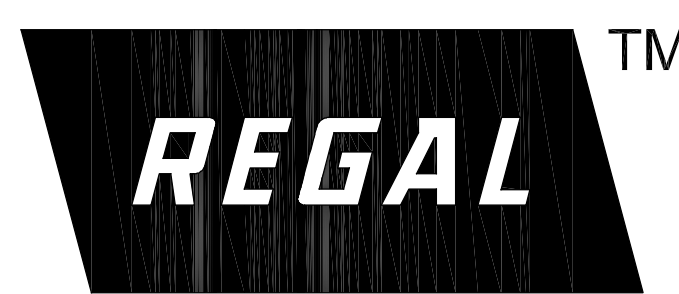
This is an uncontrolled document once printed or downloaded and is subject to change without notice. Date Created:11/28/2022



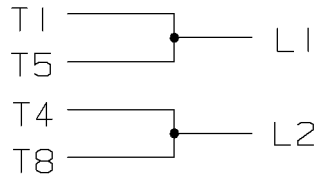
DASH	FR.	C	BS
965	213T	18.34	5.43
1115	213/15T	19.84	6.93
1240	213/15T	21.09	8.18

NOTES:

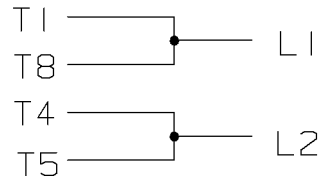
1. NAMEPLATE TO BE READ FROM LEAD EXIT SIDE OF MOTOR.
2. SEE MODEL FOR LEAD LENGTH.

NO.	REVISION	BY & DATE	CHK	ANG	±7'30"	FINISH	PREV			
6	DIMENSIONS UPDATED	NK 10/3/2018	SR	TOLERANCES UNLESS SPECIFIED		 Regal Beloit America, Inc.	DRAWN CAV 6/8/2001			
5	REPLACED ADAPTER PLATE W/LEESON PLATE 07-1734	MSG 11-06-2008	MSG	DEC.	INCHES		CHK DRS 6/8/2001			
4	UPDATED DRAWING	TJW 05/04/2007		.X	±.1		APPD DR 6/12/2001			
3	3/4 NPT HOLE WAS 1 NPT HOLE CN35062	DRS 5/1/2002	ML	.XX	±.03	TITLE OUTLINE	SCALE 1=4			
2	REMOVED MOUNTING AND NOTE 3	DRS 10/9/2001		.XXX	±.005	210T FR. - BB - SS - DR.PR. - 1ø	REF			
1	NEW DRAWING MU37695	CAV 6/12/2001		.XXXX	±.0005	MAT'L.	FMF			
							PREV			
THIS DRAWING IN DESIGN AND DETAIL IS OUR PROPERTY AND MUST NOT BE USED EXCEPT IN CONNECTION WITH OUR WORK ALL RIGHTS OF DESIGN AND INVENTION ARE RESERVED THIS IS AN ELECTRONICALLY GENERATED DOCUMENT - DO NOT SCALE THIS PRINT			RFP	CAD FILE ss88464			SIZE A	DRAWING NO. SS88464	PAGE 1 OF 1	REV. 6
			DIST LB							

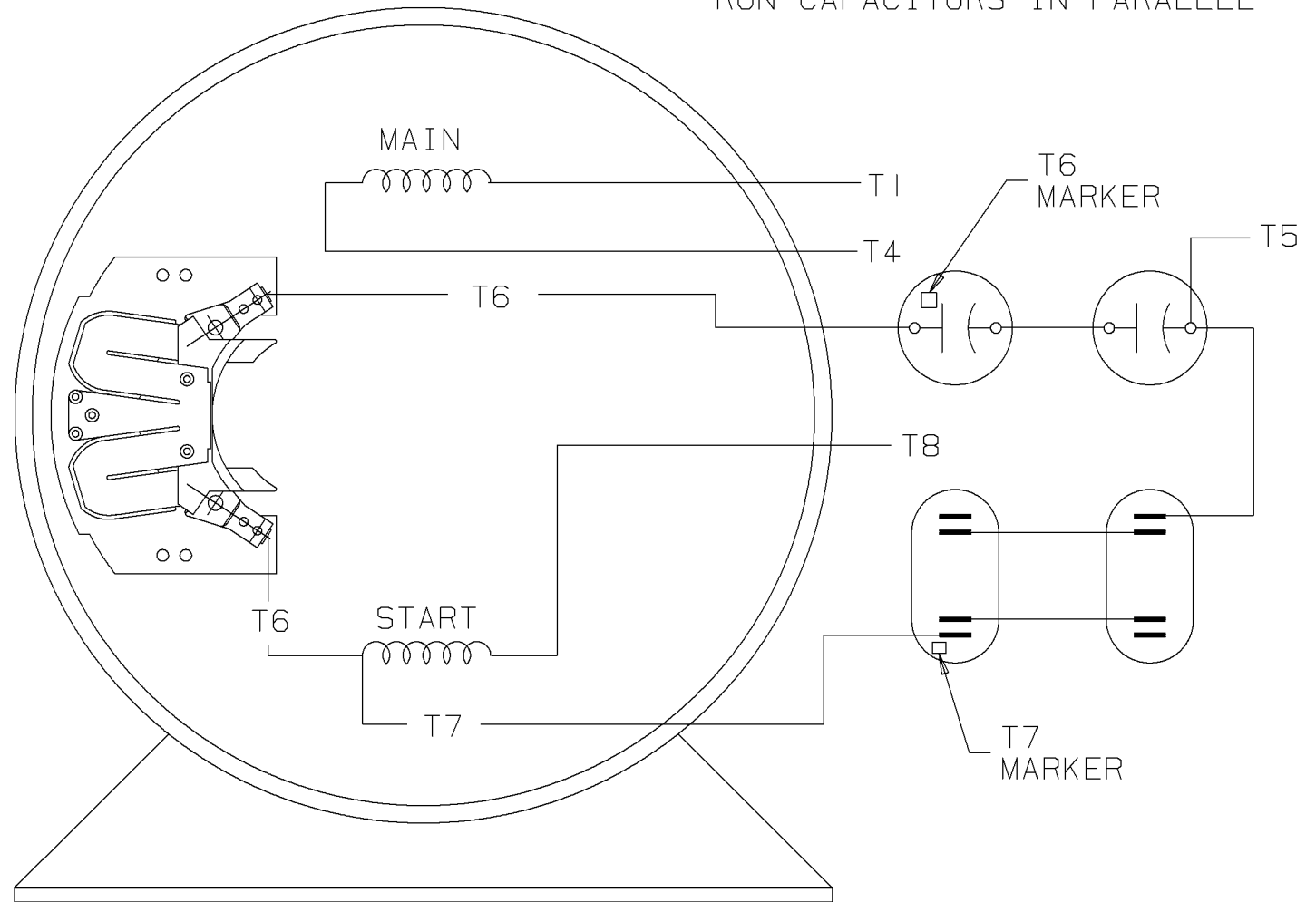
C.W. ROTATION



C.C.W. ROTATION



CONNECT:
START CAPACITORS IN SERIES
RUN CAPACITORS IN PARALLEL



SINGLE VOLTAGE
CAPACITOR START
CAPACITOR RUN
REVERSIBLE

VIEW OF TERMINAL END

				✓ MAX. SURFACE ROUGHNESS UNLESS NOTED OTHERWISE	UNLESS OTHERWISE SPECIFIED DIMENSIONS ARE IN INCHES TOL. ON XX± XXX±.005 XXXX±.0005 ANGLES±		
				MATL SPEC	180 - 210 SWITCH	DRAWN BY	GK 11-01-1986
				FINISH	MARATHON ELECTRIC	CHKD BY	FG 11-01-1986
1	11-04-1986	NEW DRAWING	CN 7664C	GK	REFERENCE DRW.	WAUSAU, WISCONSIN 54401	APPD BY ML 11-01-1986
REV	DATE	CHANGE	NAME	PART NAME CONNECTION DIAGRAM			DRWG NO A-EE9048LP

SHOP BOOK

PURCHASED

DISTRIBUTION - WA - LB - WP - LM - BR

CADD FILE NO.

EE9048LP

CERTIFICATION DATA SHEET

Model#: 215TBDW7362 AD
CONN. DIAGRAM: A-EE9048LP
OUTLINE: A-SS88464-1240

WINDING#: BK104121 NONE 2
ASSEMBLY: F1 ONLY

TYPICAL MOTOR PERFORMANCE DATA

HP	KW	SYNC. RPM	F.L. RPM	FRAME	ENCLOSURE	KVA CODE	DESIGN
10	7.50	1800	1730	215TZ	DP	G	L

PH	Hz	VOLTS	FL AMPS	START TYPE	DUTY	INSL	S.F	AMB°C	ELEVATION
1	60	230	44	ACROSS THE LINE	CONTINUOUS	F4	1.15	40	3300

FULL LOAD EFF: 8	3/4 LOAD EFF: 84.1	1/2 LOAD EFF: 83.2	GTD. EFF	ELEC. TYPE	NO LOAD AMPS
FULL LOAD PF: 89	3/4 LOAD PF: 86.7	1/2 LOAD PF: 80	0	CAP START CAP RUN	14

F.L. TORQUE	LOCKED ROTOR AMPS	L.R. TORQUE	B.D. TORQUE	F.L. RISE°C
30.1 LB-FT	260	47.4 LB-FT 157	67.5 LB-FT 224	66

SOUND PRESSURE @ 3 FT.	SOUND POWER	ROTOR WK^2	MAX. WK^2	SAFE STALL TIME	STARTS /HOUR	APPROX. MOTOR WGT
0 dBA	10 dBA	0 LB-FT^2	0 LB-FT^2	10 SEC.	3	0 LBS.

***** SUPPLEMENTAL INFORMATION *****

DE BRACKET TYPE	ODE BRACKET TYPE	MOUNT TYPE	ORIENTATION	SEVERE DUTY	HAZARDOUS LOCATION	DRIP COVER	SCREENS	PAINT
STANDARD	STANDARD	RIGID	HORIZONTAL	FALSE	NONE	PROVISIONS ONLY	NONE	BLACK (ENAMEL)

BEARINGS		GREASE	SHAFT TYPE	SPECIAL DE	SPECIAL ODE	SHAFT MATERIAL	FRAME MATERIAL
DE	OPE						
BALL	BALL	POLYREX EM	SGL SPL EXT	1.375 x 2.79 IN SEK	NONE	1144 STRESSPROOF (C-223)	ROLLED STEEL
6307	6206						

THERMO-PROTECTORS				THERMISTORS	CONTROL	SPACE /n HEATERS
THERMOSTATS	PROTECTORS	WDG RTDs	BRG RTDs			
NONE	NOT	NONE	NONE	NONE	FALSE	NONE VOLTS

If Inverter equals NONE, contact factory for further information

*
N
O
T
E
S
*

INVERTER TORQUE: NONE
INV. HP SPEED RANGE: NONE
ENCODER: NONE
NONE NONE
NONE NONE PPR
BRAKE: NONE NONE
NONE P/N NONE
NONE NONE
- FT-LB NONE V NONE Hz

DATE: 06/21/2017 10:19:49 AM
 FORM 3531 REV.3 02/07/99
 ** Subject to change without notice.



MARATHON ELECTRIC CORPORATION
TYPICAL PERFORMANCE CURVE for AC MOTOR

Customer

Curve at

230

Volts

HP 10.00

PHASE 1

Model No 215TBDW7362

60

HZ

VOLTS 230

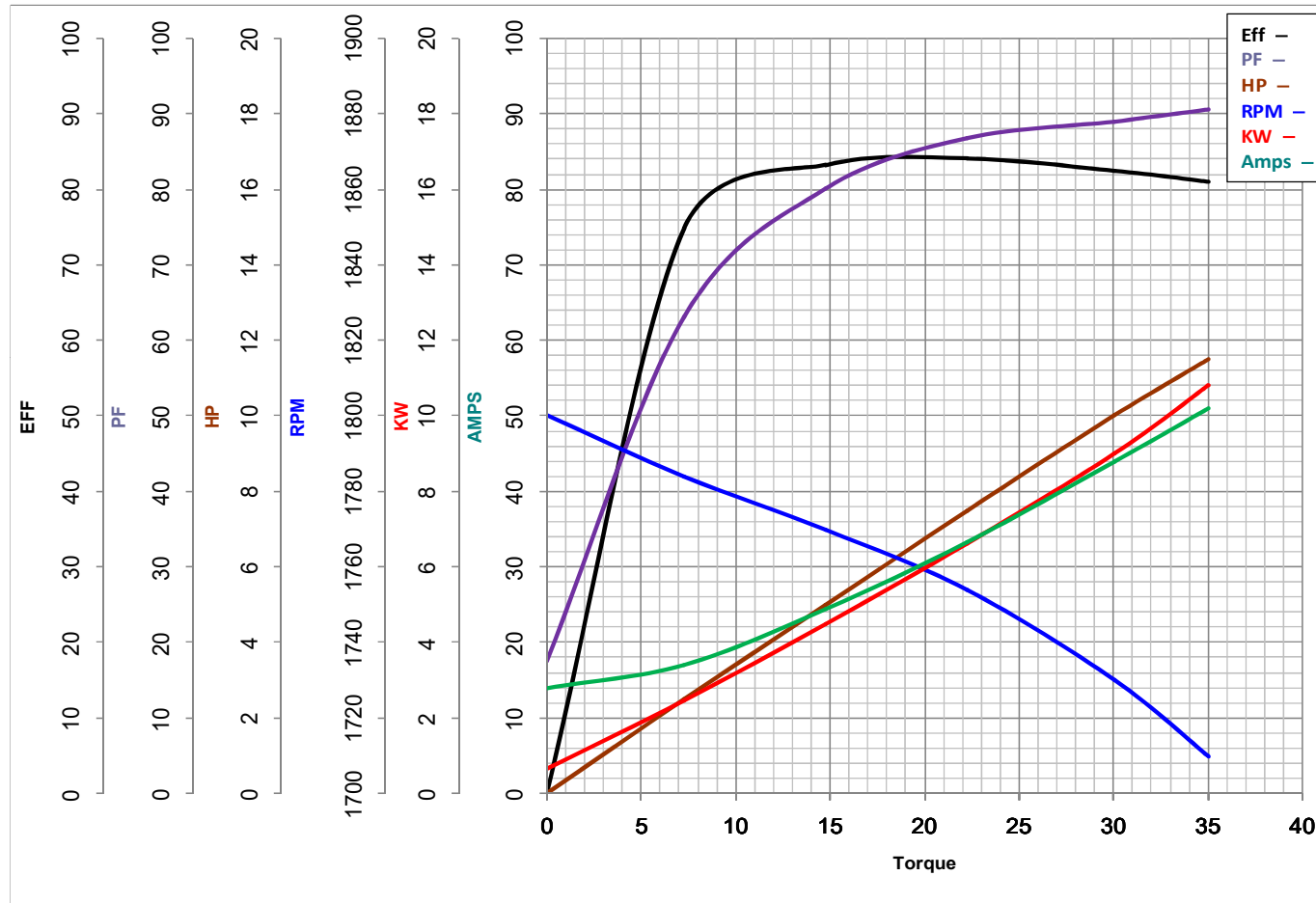
10

HP

HZ 60

RPM 1730

Catalog No Z126



Torque in Lb.Ft

FL TORQUE 30.1 Lb.Ft
 BD TORQUE 67.5 Lb.Ft
 LR TORQUE 47.4 Lb.Ft

FL AMPS 44
 PU TORQUE 47.0 Lb.Ft
 LR AMPS 260

WINDING BK104121-2

Date 1/17/2019

EC Declaration of Conformity

The undersigned representing
the manufacturer:

Regal Beloit America
100 East Randolph St.
Wausau, WI 54401

and the authorized representative
established within the Community:

Marathon Electric UK
6F Thistleton Road Ind. Estate
Market Overton
Oakham, Rutland LE15 7PP UK

are committed to providing customers with products that comply with applicable regulations and international protocols to which they are subject, including the requirements of the European Parliament Directive on the Harmonization of the laws relating to electrical equipment designed for use within certain voltage limits (2014/35/EU).

Regal Beloit America declares that the following product(s), to which this declaration relates, are in conformity with the relevant sections of the EC standards listed below.

This statement supersedes any statements previously issued pertaining to the product(s) listed below and is subject to change without notice.

Model No : 215TBDW7362

(Model No. may contain prefix and/or suffix characters)

Catalog No : Z126

Rework No : N/A

Directives :

Low Voltage Directive 2014/35/EU

Harmonized Standards Used :

EN 60034-1: 2010 (IEC 60034-1: 2010)

EN 60034-5: 2001/A1:2007 (IEC 60034-5: 2000/A1:2006)

Authorized Representative:



Michael A. Logsdon
Vice President, Technology

Authorized Representative in the Community:



Julian Clark
Marketing Engineer

Created on 09/01/2022

CE 22