

PRODUCT INFORMATION PACKET

Model No: 5KC36PNB169

Catalog No: C646

Hazardous Duty® Explosion Proof Motor, 0.25 HP, 1 Ph, 60 Hz, 115/230 V, 1800 RPM, 48 Frame, EPNV



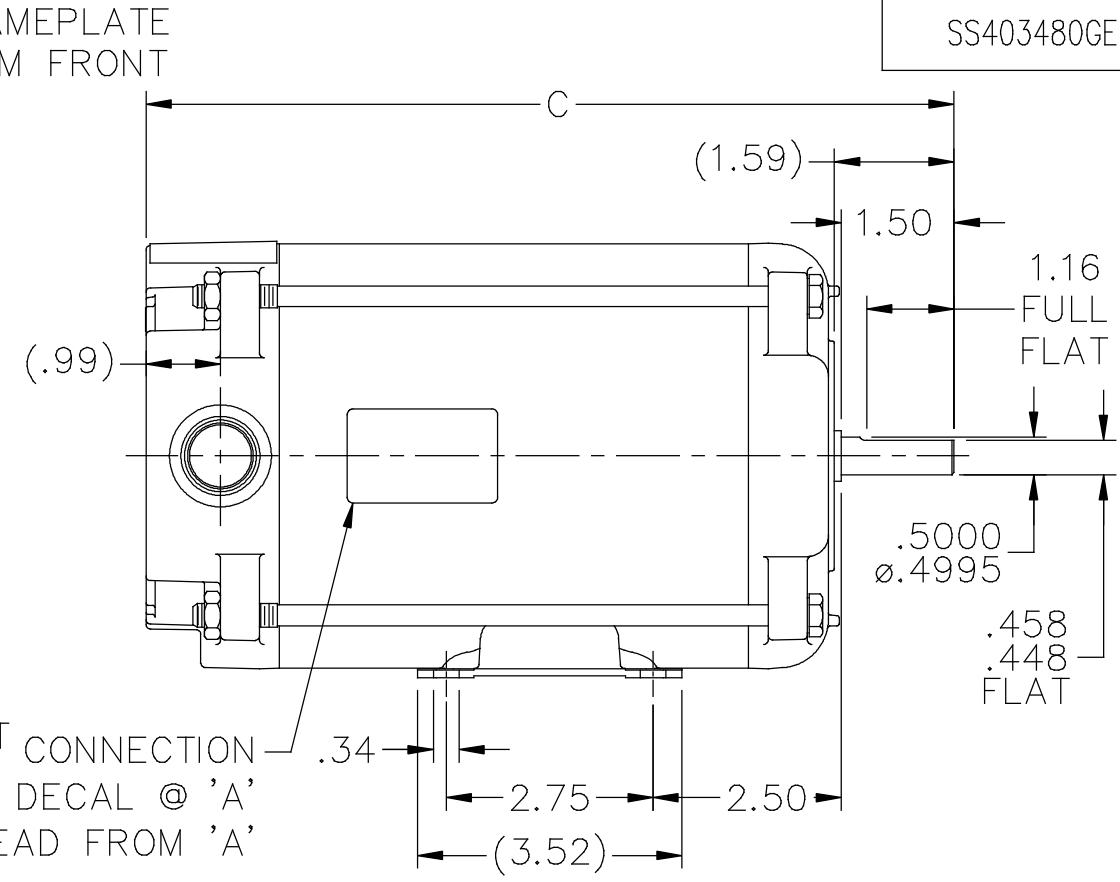
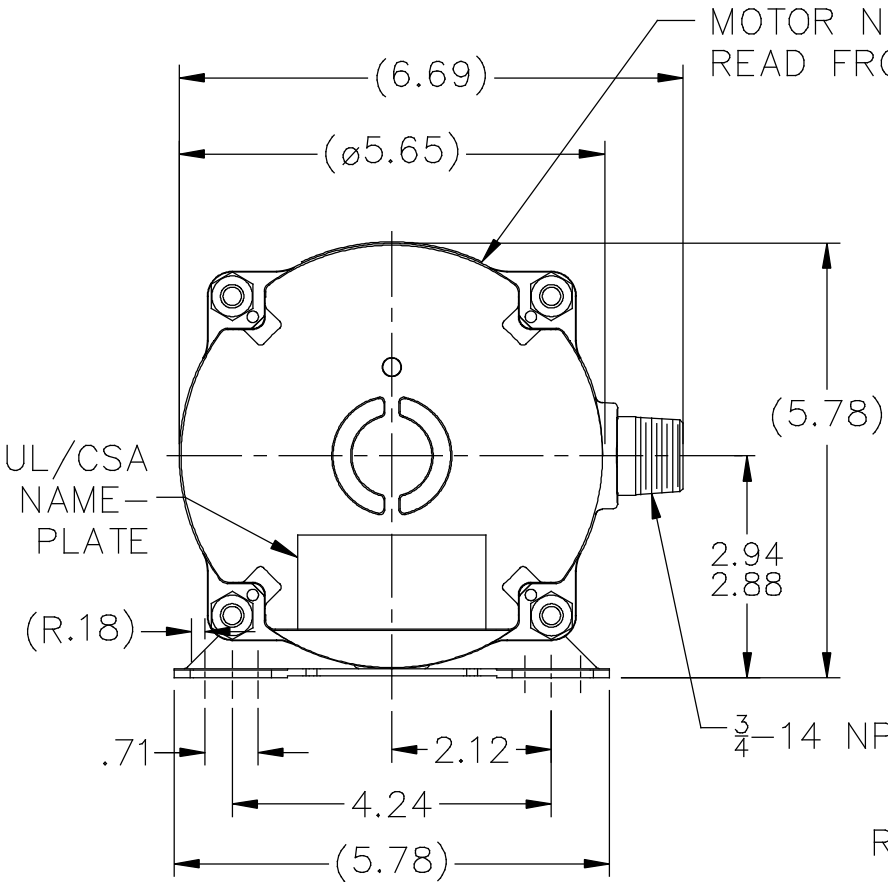
Regal and Marathon are trademarks of Regal Rexnord Corporation or one of its affiliated companies.
©2023 Regal Rexnord Corporation, All Rights Reserved. MC017097E

Nameplate Specifications

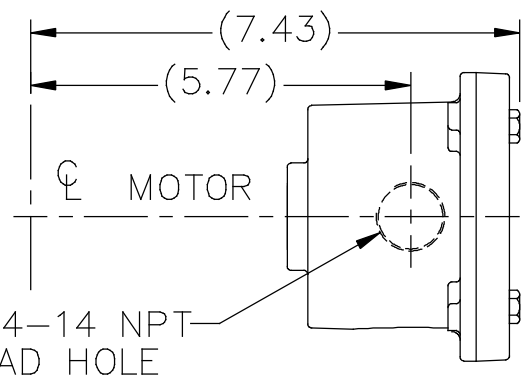
Phase	1	Output HP	0.25 Hp
Output KW	0.19 kW	Voltage	115/230 V
Speed	1725 rpm	Service Factor	1.0
Frame	48	Enclosure	Explosion Proof Non Ventilated
Thermal Protection	Automatic	Efficiency	59.5 %
Ambient Temperature	40 °C	Frequency	60 Hz
Current	4.2/2.1 A	Power Factor	65
Duty	Continuous	Insulation Class	B
Design Code	NO DESIGN CODE	KVA Code	L
Drive End Bearing Size	6203	Opp Drive End Bearing Size	6203
UL	UL Listed And CSA Certified	CSA	Y
CE	N	IP Code	54
Number of Speeds	1	Hazardous Location	EXP PROOF CL I GR D CL II GR F&G T3B

Technical Specifications

Electrical Type	Capacitor Start Induction Run	Starting Method	Across The Line
Poles	4	Rotation	Selective Counterclockwise
Resistance Main	1.9 Ohms	Mounting	Rigid Base
Motor Orientation	Horizontal	Drive End Bearing	Ball
Opp Drive End Bearing	Ball	Frame Material	Rolled Steel
Shaft Type	NEMA 48	Overall Length	10.74 in
Frame Length	6.23 in	Shaft Diameter	0.500 in
Shaft Extension	1.59 in	Assembly/Box Mounting	F1 ONLY
Outline Drawing	A-SS403480GE-623	Connection Drawing	A-EE9023AG-GE




LEAD DESCRIPTION: 1 BLACK, 1 PURPLE, 1 BROWN, 1 GREEN, 1 ORANGE, 1 WHITE, 1 YELLOW, AND 1 RED ALL EXITING A SEALED PIPE NIPPLE, 26" LONG.



DASH	C
517	9.68
580	10.31
623	10.74

VIEW OF CONDUIT BOX

				TOLERANCES UNLESS SPECIFIED		 REGAL-BELOIT CORPORATION		DRAWN RWR 03-22-2005	
				DEC.	INCHES			CHK ML 03-23-2005	APPD MJS 03-28-2005
				.X	±.1	TITLE OUTLINE 48 FRAME - XP MAT'L FINISH		SCALE 3=8	
3	ADDED VIEW OF COND BOX INSTALL	ISAAC 12-5139	WGJ 03-05-2013	DD	.XX			±.03	REF A-SS403455
2	CHG. LEADS FROM 6" TO 26"	CN39528	RWR 08/26/2005	ML	.XXX			±.005	FMF
1	ADDED UL/CSA AND MOTOR NAMEPLATE	CN 46061	MJK 04/27/2005		.XXXX	±.0005	PREV		
NO.	REVISION	BY & DATE	CHK	ANG	±7'30"				
THIS DRAWING IN DESIGN AND DETAIL IS OUR PROPERTY AND MUST NOT BE USED EXCEPT IN CONNECTION WITH OUR WORK ALL RIGHTS OF DESIGN AND INVENTION ARE RESERVED THIS IS AN ELECTRONICALLY GENERATED DOCUMENT - DO NOT SCALE THIS PRINT				RFP 03-28-2005	CAD FILE ss403480ge		SIZE A	DRAWING NO. SS403480GE	PAGE 1 OF 1
				DIST WP					REV. 3

DUAL VOLTAGE
CAPACITOR START
OVERLOAD SELECT
ROTATION

LOW VOLT. CCW ROT.

PURPLE ———— ● ———— LINE 1

WHITE ————
YELLOW ————
BLACK ———— ● ———— LINE 2

BROWN ————
ORANGE ————
RED ———— ● ————

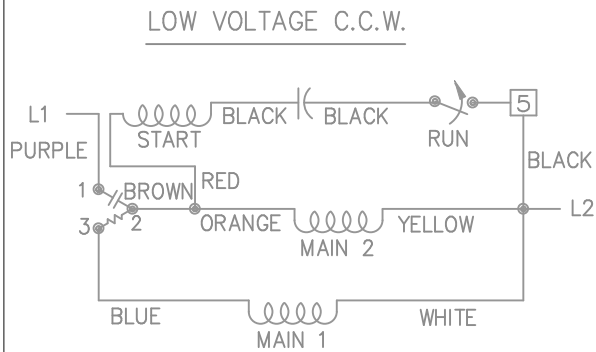
HIGH VOLT. CCW ROT.

PURPLE ———— ● ———— LINE 1

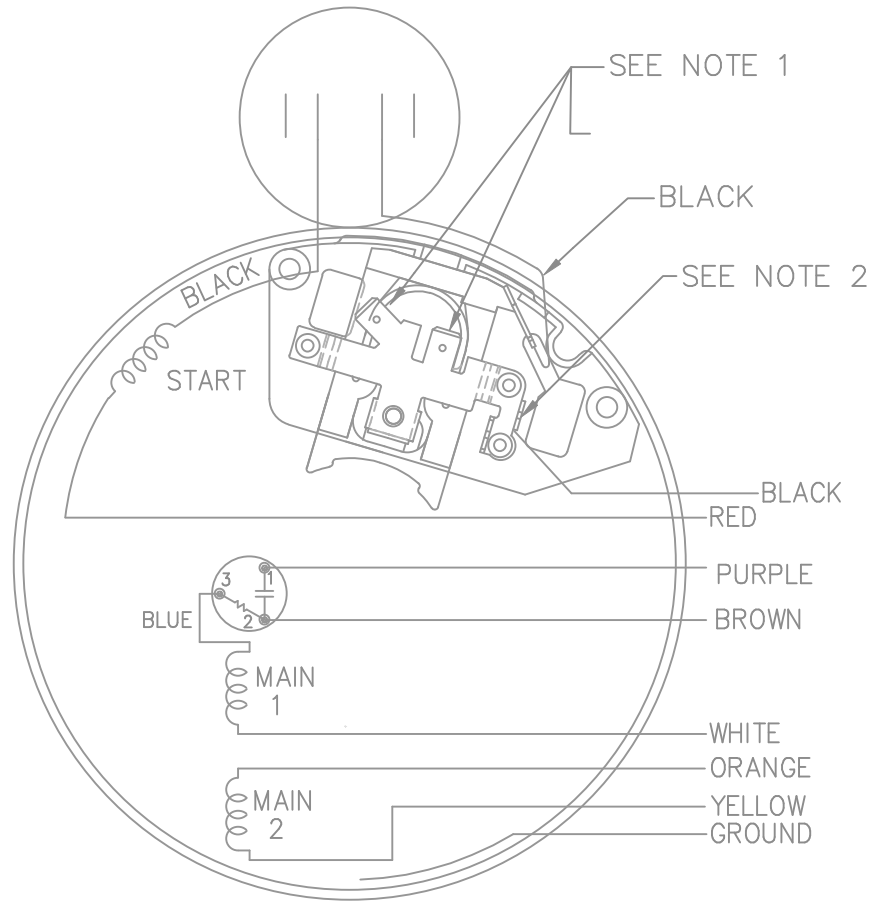
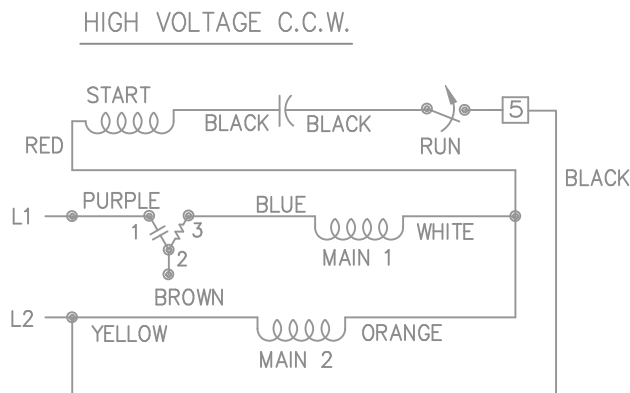
BLACK ————
YELLOW ———— ● ———— LINE 2

BROWN ———— ● ————
ORANGE ————
RED ————
WHITE ———— ● ————

FOR CW ROT. EITHER
VOLTAGE INTERCHANGE
RED WITH BLACK LEAD.



START



- 1 WHEN USING THIS SWITCH FOR EXPLOSION-PROOF MOTORS THAT ARE NOT CAP START, THESE TERMINALS MAY NOT BE USED.
- 2 WHEN USING THIS SWITCH FOR EXPLOSION-PROOF MOTORS, THIS TERMINAL MUST USE AN INSULATED FLAG TERMINAL (B7 or G4).

				TOLERANCES UNLESS SPECIFIED			DRAWN MKLEIST 08-03-05			
				DEC.	INCHES		CHK			
				.X	±.1		APPD	MS 08-03-05		
				.XX	±.02		SCALE			
				.XXX	±.005		REF			
				.XXXX	±.0005	MAT'L.	FMF			
NO.	REVISION	BY & DATE	CHK	ANG	±7'30"	FINISH	PREV			
THIS DRAWING IN DESIGN AND DETAIL IS OUR PROPERTY AND MUST NOT BE USED EXCEPT IN CONNECTION WITH OUR WORK ALL RIGHTS OF DESIGN AND INVENTION ARE RESERVED THIS IS AN ELECTRONICALLY GENERATED DOCUMENT - DO NOT SCALE THIS PRINT				RFP	07-26-2006	CAD FILE ee9023ag	SIZE A	DRAWING NO. EE9023AG	PAGE 1 OF 1	REV.
				DIST	WP					



CERTIFICATION DATA SHEET

P.O. BOX 8003
WAUSAU, WI 54401-8003
PH. 715-675-3311

CUSTOMER: REGAL BELOIT DE MEXICO
ORDER #: MU130306
CONN. DIAGRAM: A-EE9023AG-GE
OUTLINE: A-SS403480GE-623
WINDING #: CE484279

CUSTOMER PO#:
MODEL #: 5KC36PNB169 A
CUSTOMER PART #:
MOUNTING: F1 ONLY

TYPICAL MOTOR PERFORMANCE DATA

HP	kW	SYNC. RPM	F.L. RPM	FRAME	ENCLOSURE	KVA CODE	DESIGN
1/4	0.19	1800	1725	48	EPNV	L	NO DESIGN CODE

PH	Hz	VOLTS	AMPS	START TYPE	DUTY	INSL	S.F.	AMB°C
1	60	115/230	4.2/2.1	ACROSS THE LINE	CONTINUOUS	B3	1	40

FULL LOAD EFF:	59.5	3/4 LOAD EFF:	59	1/2 LOAD EFF:	52	GTD. EFF	ELEC. TYPE
FULL LOAD PF:	65(0.65)	3/4 LOAD PF:	57	1/2 LOAD PF:	47	55	CAP START IND RUN

F.L. TORQUE	LOCKED ROTOR AMPS	L.R. TORQUE	B.D. TORQUE	F.L. RISE°C
24 LB-FT	5.76	105.3 LB-FT	105.3 LB-FT	25

*** SUPPLEMENTAL INFORMATION ***

DE BRACKET TYPE	ODE BRACKET TYPE	MOUNT TYPE	ORIENTATION	DUTY	HAZARDOUS LOCATION	DRIP COVER	SCREENS	PAINT
STANDARD	STANDARD	RIGID	HORIZONTAL	FALSE	F CL I GR D CL II GF	FALSE		GRAY - GE (POWDER)

BEARINGS		GREASE	SHAFT TYPE	SPECIAL DE	SPECIAL ODE	SHAFT MATERIAL	ROLLED STEEL
DE	ODE						
BALL	BALL	POLYREX EM	T	NONE	NONE	1144 STRESSPROOF (C-223)	CAST IRON
6203	6203						

THERMO-PROTECTORS				THERMISTORS	CONTROL	SPACE HEATERS
THERMOSTATS	PROTECTORS	WDG RTDs	BRG RTDs			
NONE	AUTOMATIC	NONE	NONE	NONE	FALSE	NONE

*
N
O
T
E
S
*

INVERTER TORQUE:	NONE
INV. HP SPEED RANGE:	NONE
ENCODER:	NONE
	NONE
	NONE PPR
BRAKE:	NONE
	NONE P/N NONE
	NONE
	NONE FT-LB NONE V NONE Hz



MARATHON ELECTRIC CORPORATION
TYPICAL PERFORMANCE CURVE for AC MOTOR

Customer

Curve at

230 Volts
60 HZ
0.25 HP

HP 0.25

PHASE 1

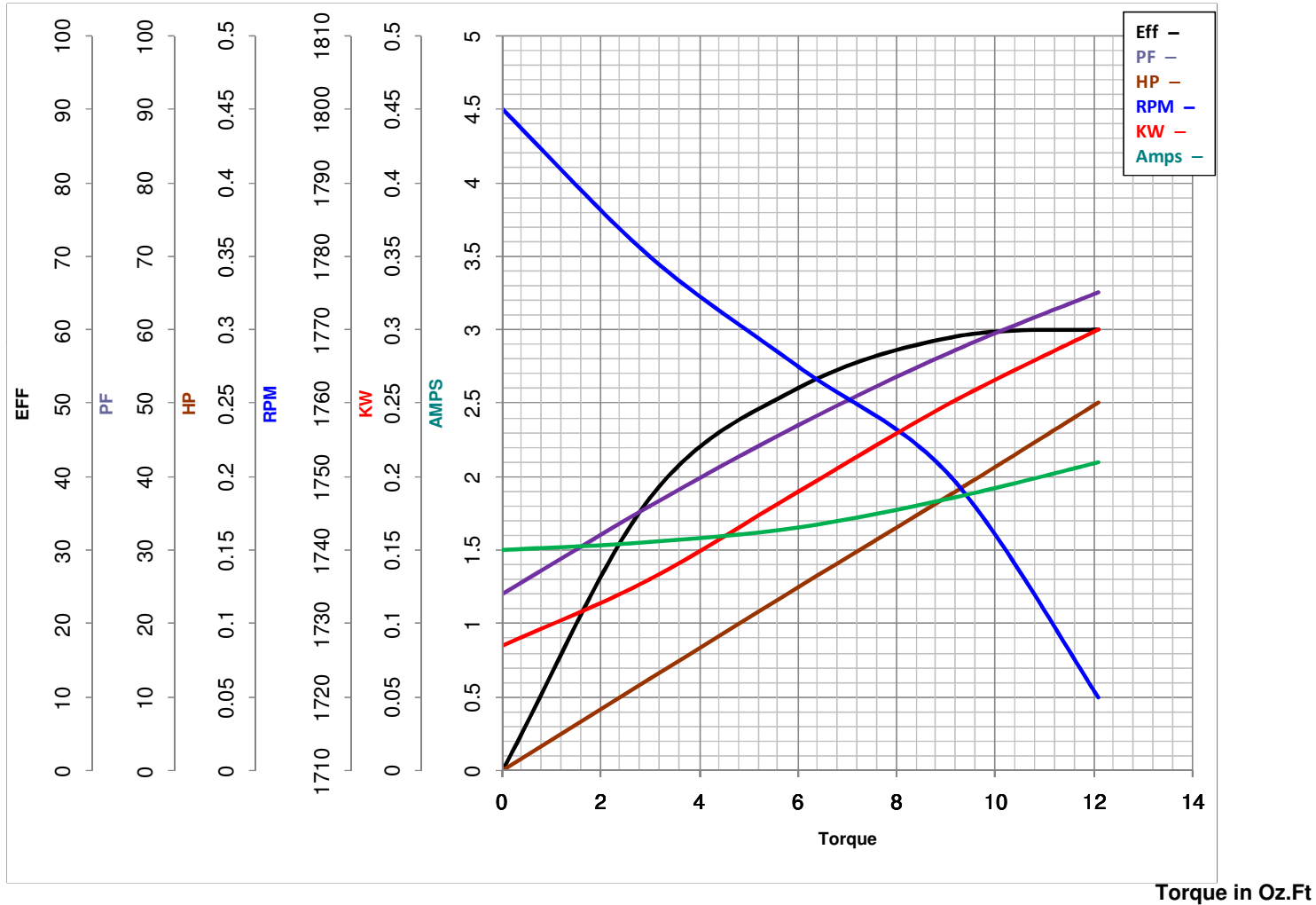
Model No 5KC36PNB169

VOLTS 115/230

Catalog No C646

HZ 60

RPM 1725



FL TORQUE	<u>12.1</u>	Oz.Ft	FL AMPS	<u>4.2/2.1</u>	
BD TORQUE	<u>28.0</u>	Oz.Ft	PU TORQUE	<u>24.4</u>	Oz.Ft
LR TORQUE	<u>49</u>	Oz.Ft	LR AMPS	<u>10.5</u>	
WINDING	CE484279-		Date	3/7/2019	